

EXTERNALLY SILICONE SEAL THE WALL PROFILES WHERE THEY MEET THE WALL AND THE BOTTOM PROFILE WHERE IT MEETS THE TRAY. ALL IN A CONTINUOUS BEAD.

ALSO SILICONE PLASTIC MOULDING AND 150mm HIGH AS SHOWN IN DETAILED VIEW BELOW.

DO NOT SILICONE INSIDE THE ENCLOSURE.

ALLOW THE SILICONE AT LEAST 24 HOURS TO FULLY CURE.

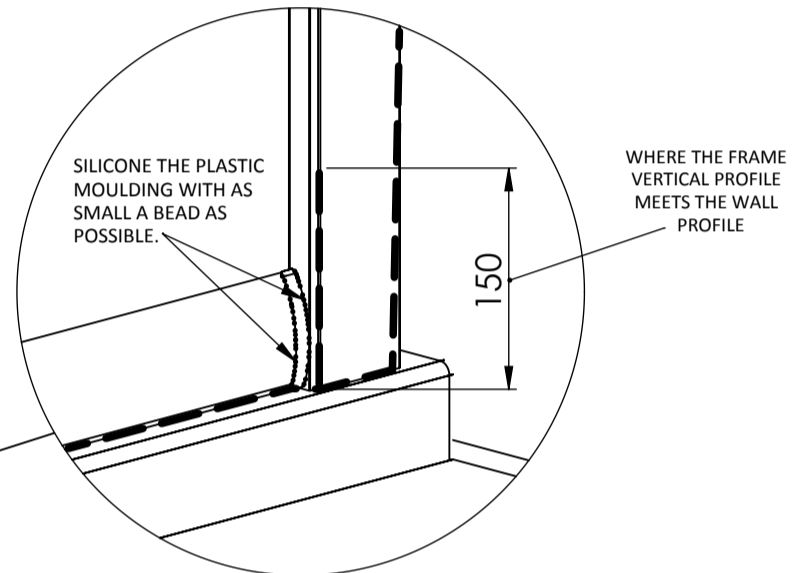
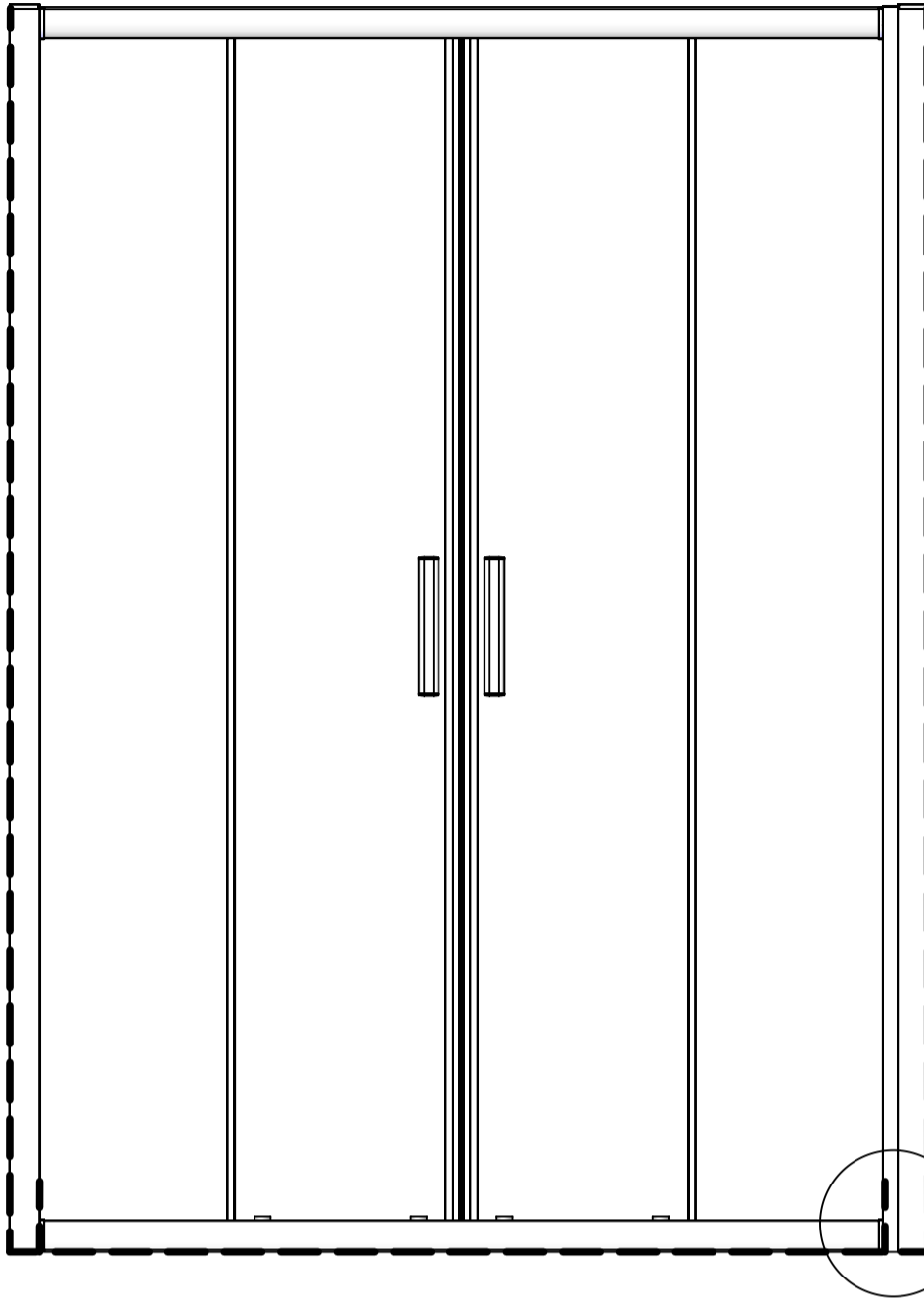
AFTERCARE - ENSURE YOU CLEAN YOUR PRODUCT USING A MILD DETERGENT DILUTED IN WATER, REMOVING ANY RESIDUE WITH A SOFT DAMP CLOTH.

MAINTENANCE - ENSURE MOVING PARTS ARE FREE FROM ANY DEBRIS OR SOAP BUILD UP.

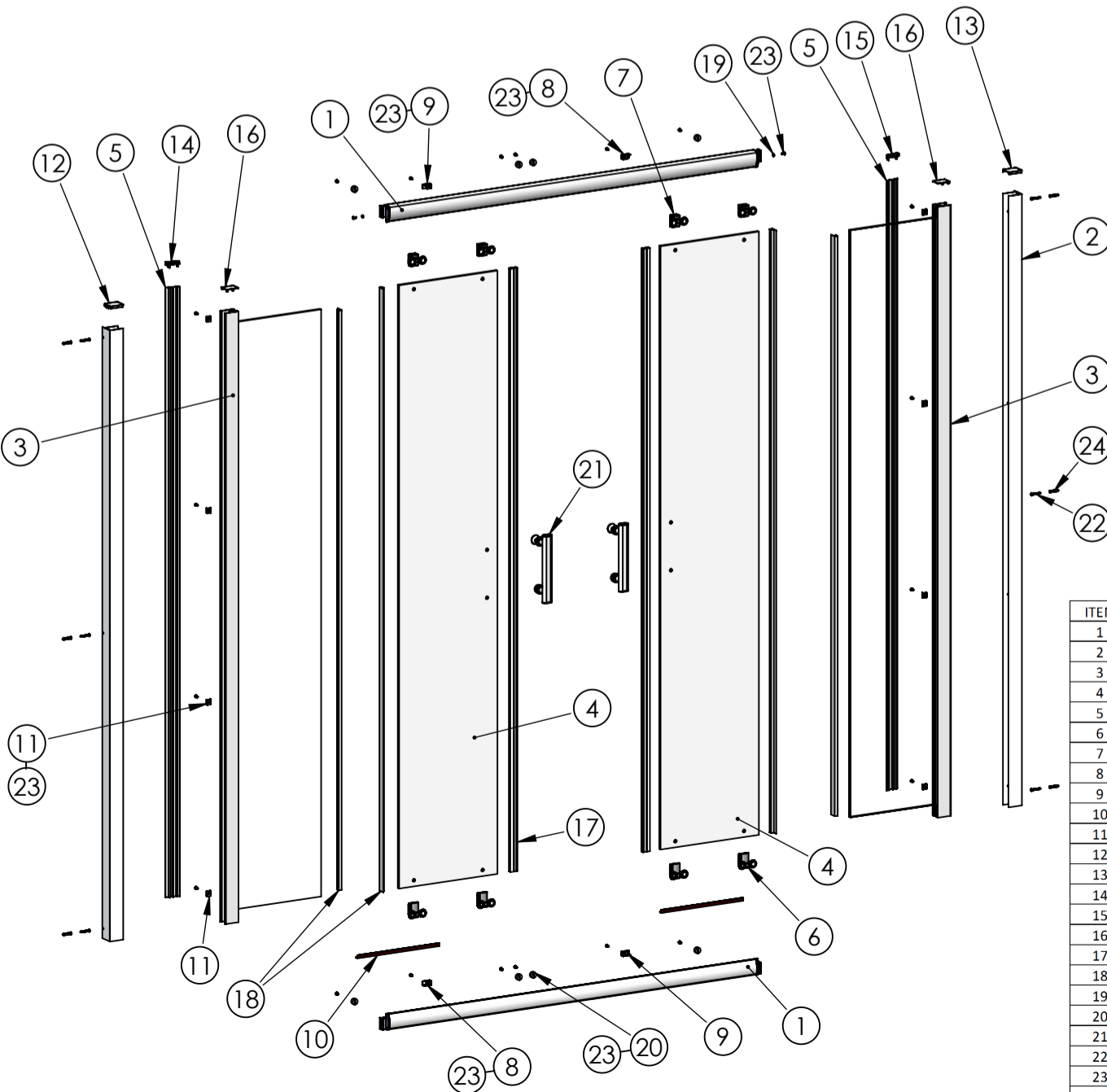
SHOWER ENCLOSURE WITH WHEELS - THE WHEELS MUST ROTATE FREELY AND THE SPRING LOADED MECHANISM IN THE BOTTOM WHEELS MUST OPERATE WITHOUT INTERFERENCE.

TROUBLE SHOOTING GUIDE

1. IS THE TRAY LEVEL? (SEE STEP 1).
2. ARE THE TOP AND BOTTOM TRACKS FULLY INSERTED AND FLUSH WITH THE VERTICAL PROFILES? (SEE STEP 2).
3. ARE THE RETAINER SCREWS FITTED TO LOCK THE TOP TRACK IN PLACE? (SEE STEP 2).
4. ARE THE BOTTOM SEALS FITTED? (SEE STEP 3).
5. HAVE YOU COMPLETED STEP 4 CORRECTLY?
6. ARE THE WALL PROFILES PLUMB VERTICALLY? (SEE STEP 4).
7. DO THE FINISHED TRAY MEASUREMENTS COMPLY WITH THE ADJUSTMENTS LISTED IN THE PRODUCT SPECIFICATION?
8. HAVE THE FIXED PANELS BEEN PROPERLY SECURED? (SEE STEP 3).
9. WHEN CONSIDERING THE LENGTH OF THE TOP TRACK ALSO CONSIDER THE VERTICAL PROFILES THAT ARE SECURED TO IT WHICH INCREASE ITS LENGTH.
10. ONCE INSTALLED LEAVE THE ENCLOSURE DOORS IN THE CLOSED POSITION WHEN NOT IN USE AS MAGNET STRENGTH WILL INCREASE OVER THE FIRST WEEK.



SLIDER DOUBLE ENTRY EASY FIT ENCLOSURE INSTRUCTIONS



UNPACK THE BOX AND ENSURE ALL COMPONENTS ARE PRESENT.

NO REFUNDS OR REFITTING COST WILL BE GIVEN IF INCOMPLETE OR DAMAGED GOODS ARE FITTED.

THE TOUGHENED SAFETY GLASS SHOULD BE HANDLED WITH CARE AS IMPACTS WILL DAMAGE THE GLASS OR ENCLOSURE.

FIT THE SHOWER TRAY AS PER THE MANUFACTURERS INSTRUCTIONS.

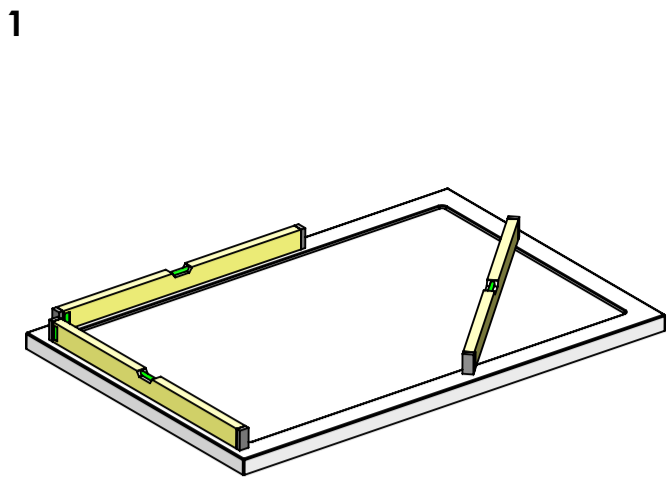
NOTE: IF THE TRAY ISN'T TRUE AND LEVEL, IT MUST BE RECTIFIED BEFORE SILICONING AROUND THE TOP EDGE OF THE TRAY WHERE IT MEETS THE TILES. ALLOW THE SILICONE TO DRY BEFORE FITTING THE ENCLOSURE.

THE ENCLOSURE INSTALLATION IS RECOMMENDED AS A TWO MAN OPERATION.

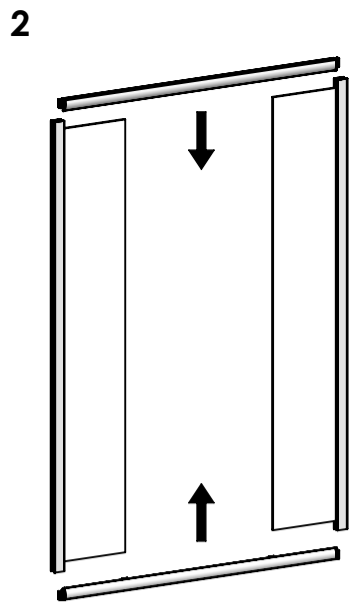
TOOLS REQUIRED

- POWER DRILL - 3mm DRILL BIT - 6mm MASONRY DRILL BIT
- CROSS HEAD SCREW DRIVER - TAPE MEASURE - PENCIL
- SILICONE GUN WITH SANITARY GRADE SEALANT - SPIRIT LEVEL
- RUBBER HEAD MALLET

ITEM	DESCRIPTION	Notes	QTY
1	TOP / BOTTOM TRACK		2
2	WALL PROFILE		2
3	FIXED PANEL SUB ASSEMBLY		2
4	DOOR GLASS		2
5	SCREW COVER PROFILE	OPTIONAL ON SOME MODELS	2
6	BOTTOM ROLLER (SPRING LOADED)		4
7	TOP ROLLER (SCREW ADJUSTED)		4
8	GLASS CLIP RH		2
9	GLASS CLIP LH		2
10	GLASS BOTTOM SEAL		2
11	SCREW COVER PROFILE FIXING CLIPS	OPTIONAL ON SOME MODELS	8
12	WALL PROFILE TOP CAP LH		1
13	WALL PROFILE TOP CAP RH		1
14	SCREW COVER PROFILE CAP LH	OPTIONAL ON SOME MODELS	1
15	SCREW COVER PROFILE CAP RH	OPTIONAL ON SOME MODELS	1
16	RECTANGULAR CAP		2
17	DOOR MAGNET		2
18	VERTICAL SEAL	CUT TO LENGTH AS REQ'D	4
19	NYLON WASHER		2
20	BUMP STOP		8
21	HANDLE SUB ASSEMBLY		2
22	SCREW DIA 3.9mm x 30mm PAN HEAD	FOR FIXING TO WALL	6
23	SCREW DIA 3.9mm x 10mm PAN HEAD		22
24	RAWLPLUG		6
25	SCREW CUP (NOT SHOWN)	ONLY USED WHEN NO ITEM 5 & 11	14
26	SCREW CHROME CAP (NOT SHOWN)	ONLY USED WHEN NO ITEM 5 & 11	14

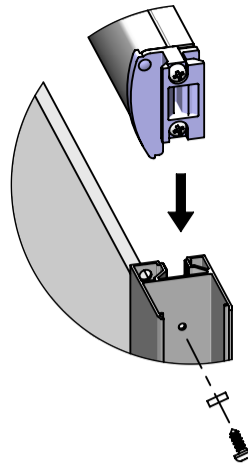


ENSURE THE TRAY IS LEVEL IN ALL PLANES.

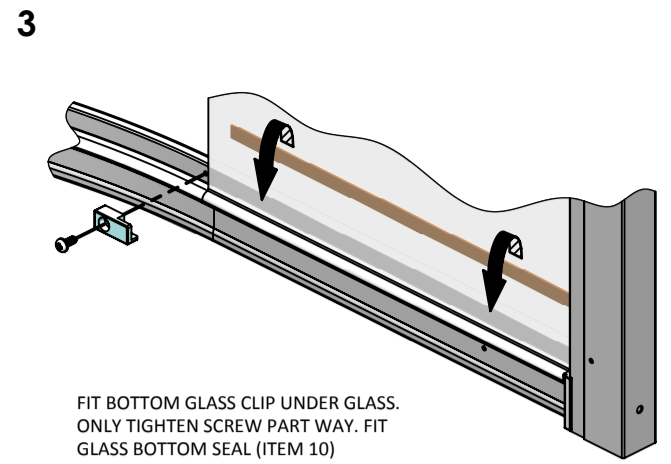


SLIDE THE TRACKS ONTO THE FIXED PANEL SUB ASSEMBLY UNTIL FLUSH WITH THE VERTICAL PROFILES.

ONCE PARTIALLY ENGAGED IT MAY BE NECESSARY TO LIGHTLY TAP THE TRACK ALL THE WAY HOME. USING A SOFT MALLET.



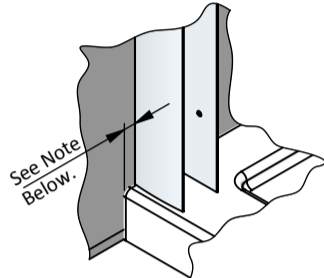
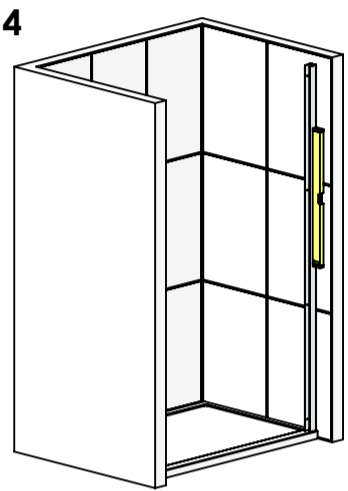
WHEN THE TOP TRACK IS IN PLACE FIT ITEMS 19 & 23 INTO THE TOP HOLES (WHERE SHOWN) TO LOCK THE TRACK IN PLACE.



FIT BOTTOM GLASS CLIP UNDER GLASS. ONLY TIGHTEN SCREW PART WAY. FIT GLASS BOTTOM SEAL (ITEM 10) BETWEEN GLASS AND PROFILE. FIT TOP GLASS CLIP AND TIGHTEN ALL SCREWS.

ALTERNATIVELY USE A SMALL BEAD OF CLEAR SILICONE ON THE OUTSIDE OF THE GLASS INSTEAD OF THE SEAL.

REPEAT FOR OPPOSITE SIDE.



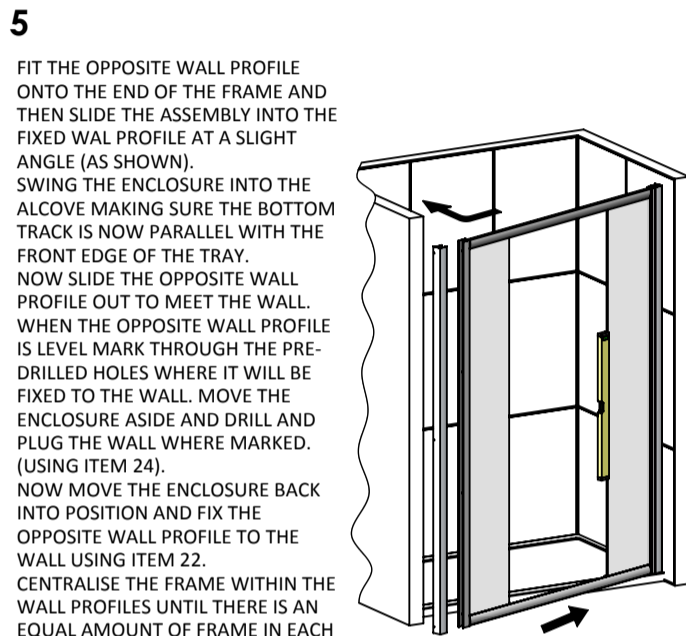
OFFER THE FRAME ONTO THE TRAY FIRST. ENSURE WALL PROFILES WILL REACH BOTH WALLS. SOME APPLICATIONS MAY REQUIRE MORE EXTENSION THAN THE ENCLOSURE WAS DESIGNED TO DO. IF THIS IS THE CASE YOU CAN PURCHASE EXTENSION PROFILES FROM YOUR SUPPLIER THAT WILL GIVE AN EXTRA 20mm PER SIDE.

IN A TYPICAL INSTALLATION

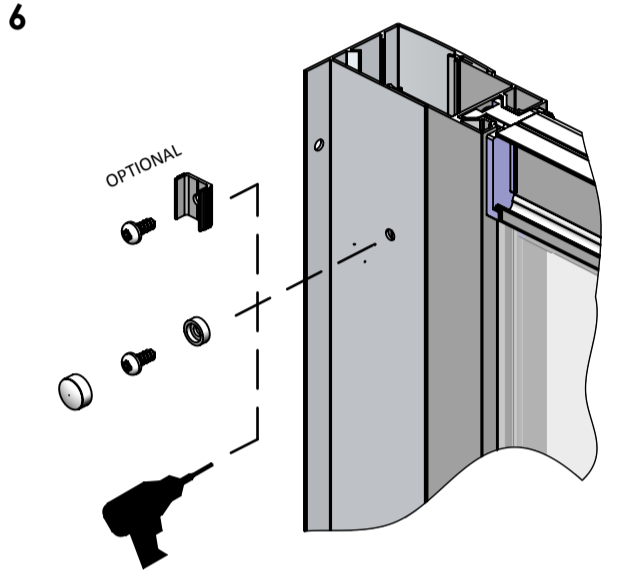
SET ONE WALL PROFILES 10mm BACK FROM THE FACE OF THE TRAY. MAKE SURE IT IS TRUE WITH A SPIRIT LEVEL, THEN MARK THROUGH THE FIXING HOLES WITH A PENCIL. REMOVE PROFILE THEN DRILL AND PLUG THE WALL (ITEM 24). NOW FIX THE WALL PROFILE IN PLACE USING ITEMS 22, 25* & 26*

* IF YOU HAVE THE OPTIONAL SCREW COVER PROFILES (ITEM 5) DO NOT USE ITEMS 25 & 26.

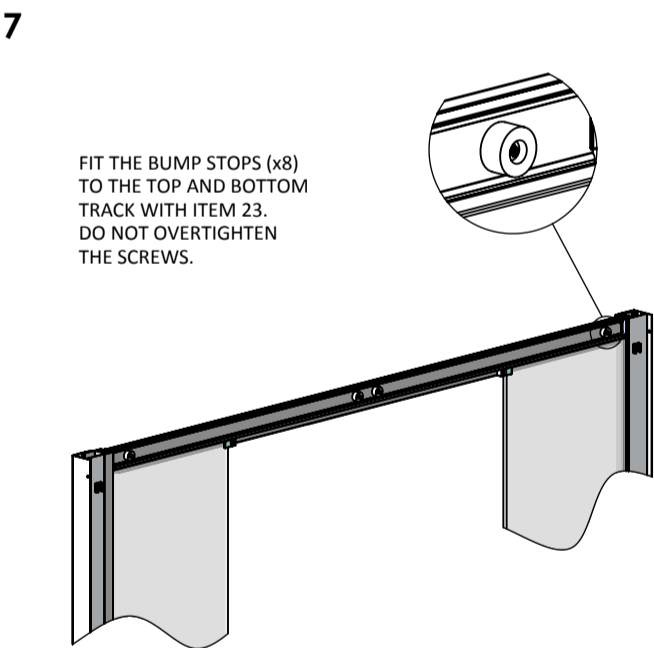
** IF INSTALLING WITH A SIDE PANEL PLEASE REFER TO THE SIDE PANEL INSTRUCTION WITHIN SIDE PANEL BOX.



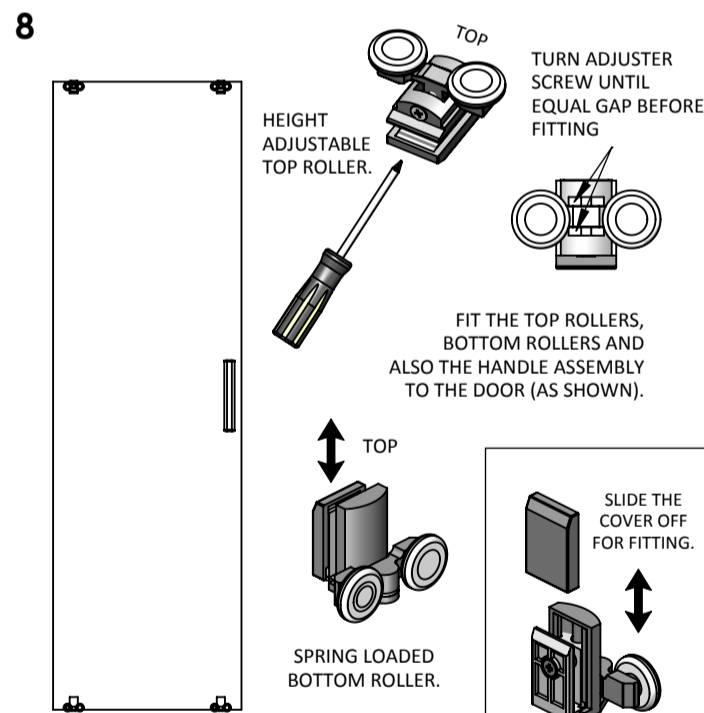
FIT THE OPPOSITE WALL PROFILE ONTO THE END OF THE FRAME AND THEN SLIDE THE ASSEMBLY INTO THE FIXED WALL PROFILE AT A SLIGHT ANGLE (AS SHOWN). SWING THE ENCLOSURE INTO THE ALCOVE MAKING SURE THE BOTTOM TRACK IS NOW PARALLEL WITH THE FRONT EDGE OF THE TRAY. NOW SLIDE THE OPPOSITE WALL PROFILE OUT TO MEET THE WALL. WHEN THE OPPOSITE WALL PROFILE IS LEVEL MARK THROUGH THE PRE-DRILLED HOLES WHERE IT WILL BE FIXED TO THE WALL. MOVE THE ENCLOSURE ASIDE AND DRILL AND PLUG THE WALL WHERE MARKED. (USING ITEM 24). NOW MOVE THE ENCLOSURE BACK INTO POSITION AND FIX THE OPPOSITE WALL PROFILE TO THE WALL USING ITEM 22. CENTRALISE THE FRAME WITHIN THE WALL PROFILES UNTIL THERE IS AN EQUAL AMOUNT OF FRAME IN EACH WALL PROFILE. ENSURE THE FRAME IS TRUE AND SQUARE* ON BOTH SIDES BEFORE FIXING IN PLACE. *USE SPIRIT LEVEL.



WHEN THE FRAME IS READY TO BE FIXED, DRILL THROUGH THE HOLES IN THE WALL PROFILE WITH A 3mm DRILL. (MAKE SURE YOU ONLY DRILL THROUGH ONE WALL THICKNESS) THEN FIX THE FRAME WITH ITEMS 23, 25* & 26* * IF YOU HAVE THE OPTIONAL SCREW COVER PROFILE (ITEM 5) DO NOT USE ITEMS 25 & 26, FIT ITEM 11 UNDER THE SCREW.



FIT THE BUMP STOPS (x8) TO THE TOP AND BOTTOM TRACK WITH ITEM 23. DO NOT OVERTIGHTEN THE SCREWS.



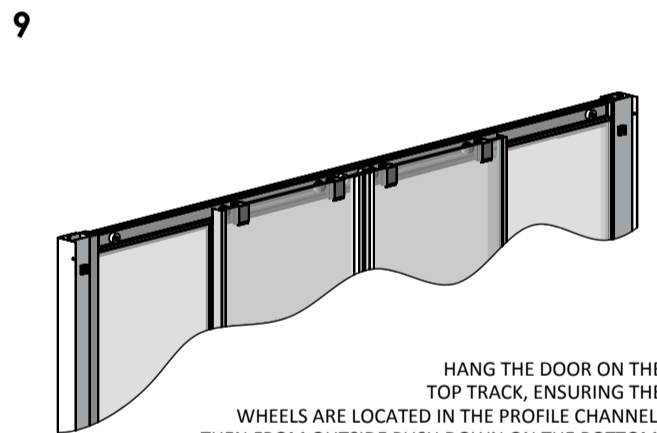
HEIGHT ADJUSTABLE TOP ROLLER.

TURN ADJUSTER SCREW UNTIL EQUAL GAP BEFORE FITTING

FIT THE TOP ROLLERS, BOTTOM ROLLERS AND ALSO THE HANDLE ASSEMBLY TO THE DOOR (AS SHOWN).

SPRING LOADED BOTTOM ROLLER.

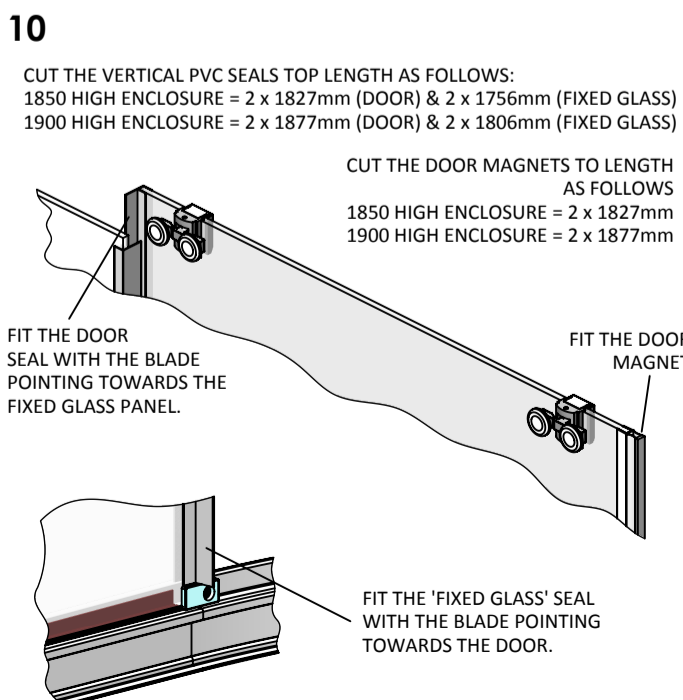
SLIDE THE COVER OFF FOR FITTING.



HANG THE DOOR ON THE TOP TRACK, ENSURING THE WHEELS ARE LOCATED IN THE PROFILE CHANNEL. THEN FROM OUTSIDE PUSH DOWN ON THE BOTTOM ROLLERS TO LOCATE THEM INTO THE BOTTOM TRACK CHANNEL.

WHEN BOTH DOORS ARE FITTED TURN THE ADJUSTER SCREW ON THE TOP ROLLERS TO LEVEL THE DOORS AND MAKE THEM TRUE.

NOTE: WHEN THE DOOR HITS THE TOP BUMP STOP IT SHOULD HIT THE BOTTOM BUMP STOP AS THE SAME TIME.



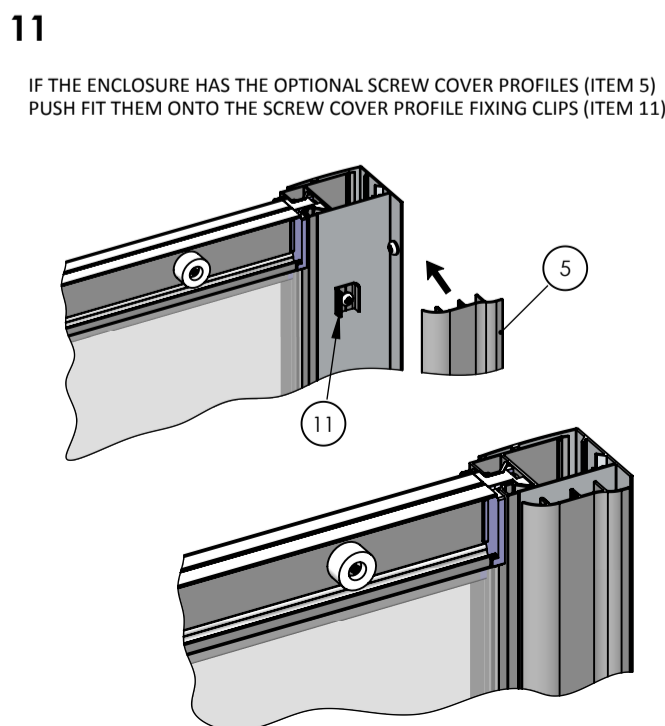
CUT THE VERTICAL PVC SEALS TOP LENGTH AS FOLLOWS:
1850 HIGH ENCLOSURE = 2 x 1827mm (DOOR) & 2 x 1756mm (FIXED GLASS)
1900 HIGH ENCLOSURE = 2 x 1877mm (DOOR) & 2 x 1806mm (FIXED GLASS)

CUT THE DOOR MAGNETS TO LENGTH AS FOLLOWS
1850 HIGH ENCLOSURE = 2 x 1827mm
1900 HIGH ENCLOSURE = 2 x 1877mm

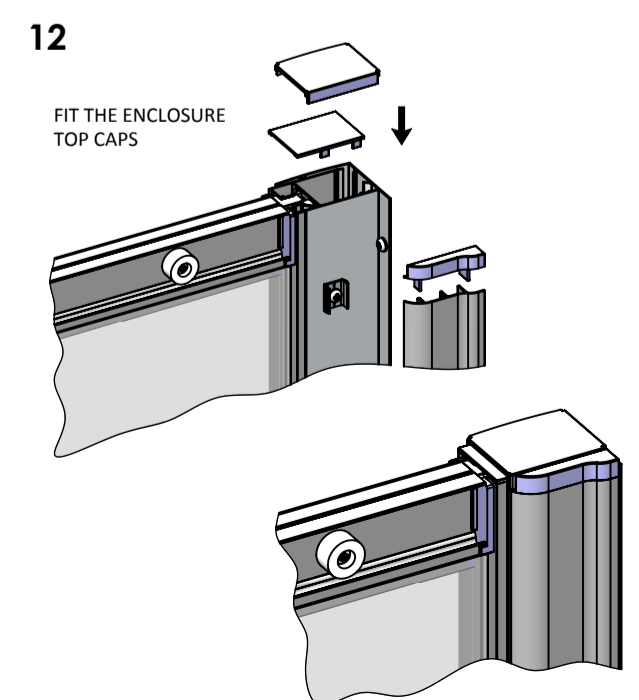
FIT THE DOOR SEAL WITH THE BLADE POINTING TOWARDS THE FIXED GLASS PANEL.

FIT THE DOOR MAGNET

FIT THE 'FIXED GLASS' SEAL WITH THE BLADE POINTING TOWARDS THE DOOR.



IF THE ENCLOSURE HAS THE OPTIONAL SCREW COVER PROFILES (ITEM 5) PUSH FIT THEM ONTO THE SCREW COVER PROFILE FIXING CLIPS (ITEM 11)



FIT THE ENCLOSURE TOP CAPS