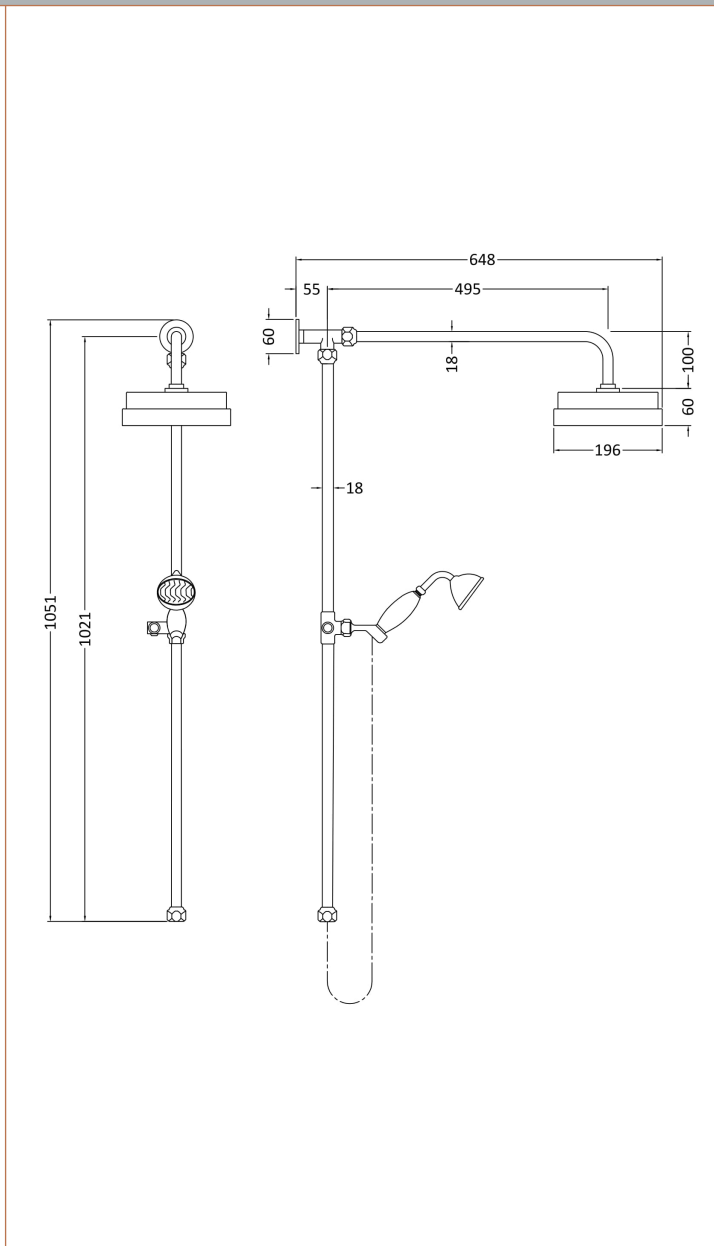


Sales Code: A3606

Description: Luxury Rigid Riser Kit



### Product Dimensions

|                   |      |
|-------------------|------|
| Length (mm):      |      |
| Width (mm):       | 160  |
| Height (mm):      | 1081 |
| Depth (mm):       | 635  |
| Nett Weight (kg): | 3.85 |

### Packaging Dimensions

|                    |      |
|--------------------|------|
| Length (mm):       | 1020 |
| Width (mm):        | 210  |
| Height (mm):       | 110  |
| Gross Weight (kg): | 3.85 |

### Packaging Data

|               |                     |
|---------------|---------------------|
| Box Colour:   | White Cardboard Box |
| Box Qty:      | 1                   |
| Label Size:   | 100 x 50            |
| Label Colour: | White Label         |
| Label Qty:    | 2                   |

### Outer Box Dimensions (If Applicable)

|                    |               |
|--------------------|---------------|
| Length (mm):       |               |
| Width (mm):        | 445           |
| Height (mm):       | 370           |
| Depth (mm):        | 1040          |
| Gross Weight (kg): | 39            |
| Barcode:           | 5055146184133 |

### Product Details

|                           |                                                            |
|---------------------------|------------------------------------------------------------|
| Country of Origin:        | China                                                      |
| Fitting Instruction:      | No                                                         |
| Product Material:         | Brass                                                      |
| Mount Type:               | Surface, Wall                                              |
| Outlet Elbow Supplied:    | No                                                         |
| Easy Clean:               | No                                                         |
| Head Included:            | Yes                                                        |
| Handset Included:         | Yes                                                        |
| Body Jets Included:       | No                                                         |
| No of Body Jets:          | Not Applicable                                             |
| Operating Pressure (bar): | 0.5                                                        |
| Valve/Cartridge Type:     | Not Applicable                                             |
| Flow Rates (L/min):       | 0.1 bar: N/A 0.5 bar: N/A 1 bar: N/A 2 bar: N/A 3 bar: N/A |
| TMV2 Approved:            | No Approval No: N/A                                        |
| TMV3 Approved:            | No Approval No: N/A                                        |
| WRAS Approved:            | No Approval No: N/A                                        |
| Head Function:            | Single                                                     |
| Handset Function:         | Single Setting                                             |
| Body Jet Info:            | Not Applicable                                             |
| Pipe Size:                | 18 mm                                                      |
| Pipe Centres:             | N/A                                                        |
| Colour/Finish:            | Chrome                                                     |
| Hose Included:            | Yes                                                        |
| No. of Outlets:           | 2                                                          |