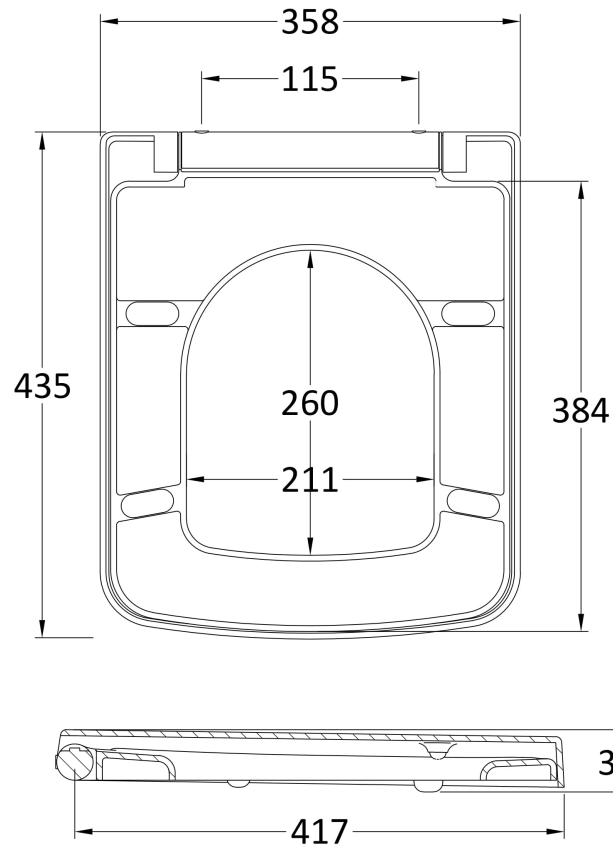


**Sales Code:** NCH198

**Description:** Luxury Square Seat Sc, Qr, Top Fix



**Product Dimensions**

Length (mm):	435
Width (mm):	358
Height (mm):	53
Nett Weight (kg):	2.12

**Packaging Dimensions**

Length (mm):	460
Width (mm):	380
Height (mm):	60
Gross Weight (kg):	2.67

**Packaging Data**

Box Colour:	White Cardboard Box - Printed
Box Qty:	1
Label Size:	100 x 50
Label Colour:	Not Applicable
Label Qty:	

**Outer Box Dimensions (If Applicable)**

Length (mm):	470
Width (mm):	280
Height (mm):	390
Gross Weight (kg):	14
Barcode:	5060272825744

**Product Details**

Country of Origin:	China
Fitting Instruction:	No
CE & UKCA:	Not Applicable
Product Material:	Urea
Seat Type:	D Shape
Seat Function:	Soft Close
Hinge Centres (Min):	115
Hinge Centres (Max):	
Hinge Material:	Stainless Steel Nylon
Colour/Finish:	White
Fixing Method:	Quick Release