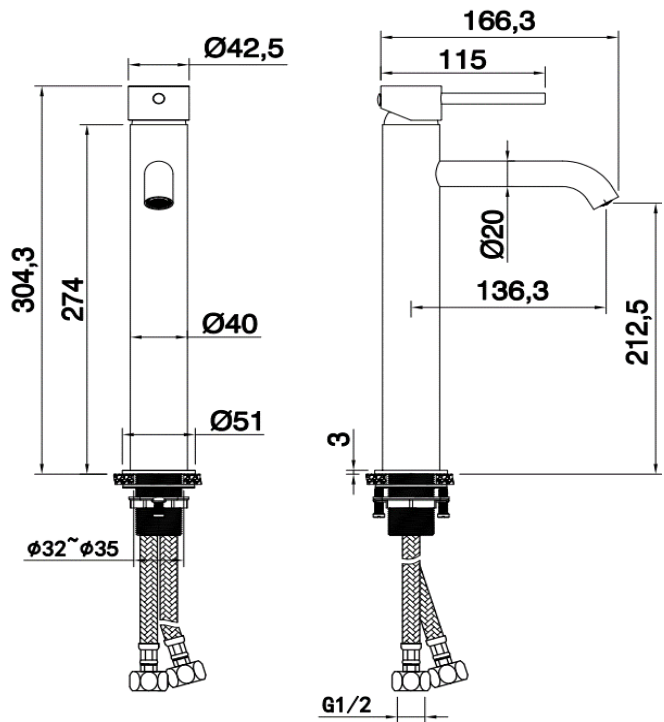


# TECHNICAL DATA SHEET

## Tall Basin Mono Mixer

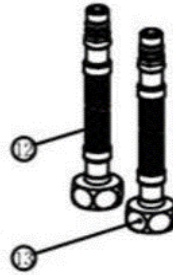
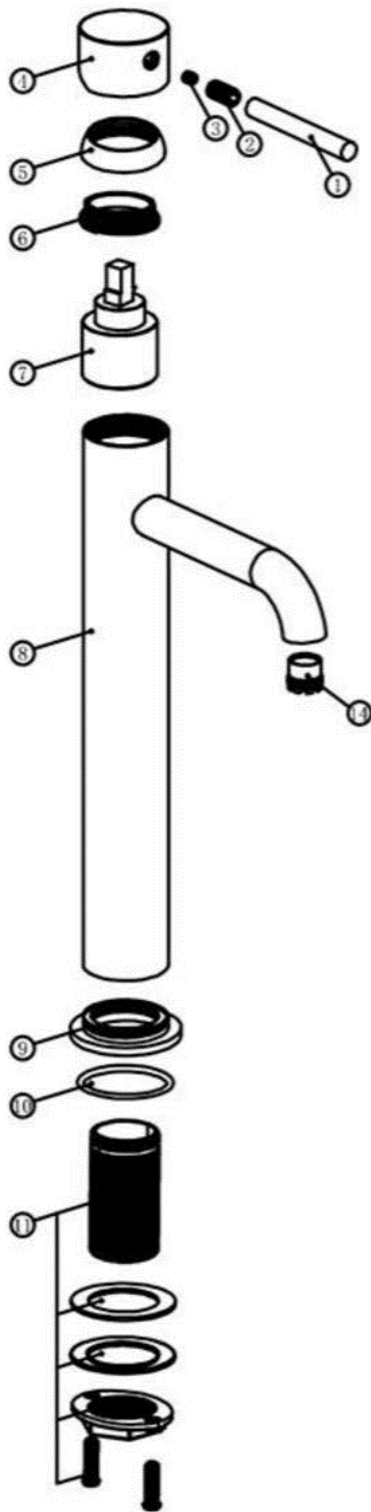
<b>Barcode</b>	7081243854813
<b>Product Code</b>	
<b>Construction</b>	Brass Body (CuZn40Pb2), EN CW617N (equivalent to BS CZ122) Zinc-alloy Handle
<b>Finishes</b>	Chrome (Ni : 8-12um, Cr : 0.25-0.3um)
<b>Product Type</b>	Contemporary
<b>Water Pressure</b>	Min. 0.5 bar, Max. 6.0 bar
<b>Plumbing Systems</b>	Suitable for all plumbing systems, Hot and Cold water pressure preferably balanced Max. supply pressure differential requirement no greater than 5:1
<b>Standards</b>	Complies with BS6920, BS EN200
<b>Certification</b>	-
<b>Cartridge</b>	CITEC 35mm 110° Coolstart Ceramic disc cartridge
<b>Aerator</b>	Neoperl Slim Aerator
<b>Fitting</b>	UK: M10 x 350mm G½" BSP Female Flexi Tails EU: M10 x 350mm G3/8" BSP Female Flexi Tails
<b>Packaging</b>	43 x 38.5 x 34cm / carton (8 boxes), Dimension: 37.5 x 20.5 x 8cm / box; Weight: 1.56Kg / box
<b>Guarantee</b>	10 years against manufacturing faults (excluding serviceable parts)



### Flow Rates (Litres per minute)

System Pressure	0.1 Bar	0.2 Bar	0.3 Bar	0.5 Bar	1.0 Bar	1.5 Bar	2.0 Bar	3.0 Bar	4.0 Bar	5.0 Bar
<b>G08</b>	-	-	-	4.4	6.0	-	8.3	10.1	-	-

All dimensions are in millimetres unless otherwise stated. The information contained on this page was correct at date of issue. Fitting dimensions are provided as a guide only. Some variation may occur due to manufacturing tolerances. We pursue a policy of continuing improvement in design and performance of our products and so reserve the right to change specifications without prior notice.



G08

14	AERATOR	1	G08-18
13	HOSE (RED)	1	G08-17
12	HOSE (BLUE)	1	G08-16
11	SCREW	2	G08-15
11	BACKNUT	1	G08-14
11	WASHER	1	G08-13
11	WASHER	1	G08-12
11	BSP-TAIL	1	G08-11
10	O-RING	1	G08-10
9	BASE-PLATE	1	G08-09
8	BODY	1	G08-08
7	CARTRIDGE	1	G08-07
6	NUT	1	G08-06
5	SHROUD	1	G08-05
4	HANDLE	1	G08-04
3	SCREW	1	G08-03
2	SCREW	1	G08-02
1	LEVER	1	G08-01
NO.	NAME	QTY	CODE

Alfred Victoria Exploded Drawings			Material:	Assembly	Size:	A4
			(Date:D/M/Y)	Scale:	None	Issue No: 01
Drawn by:	Konstantine	28/06/2021				
Checked by:	Lee	28/06/2021				
Approved by:	T. K.	28/06/2021				
Drawing Name:						