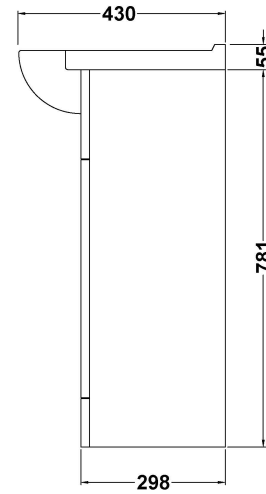
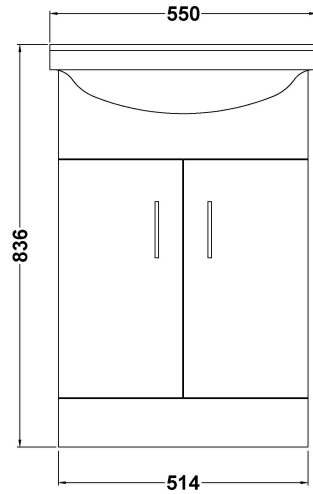
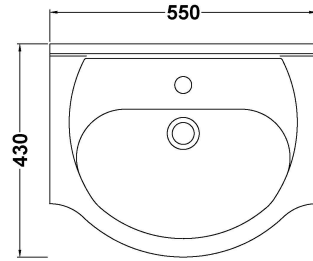


Sales Code: VTY550

Description: High Gloss White 550 Basin Unit

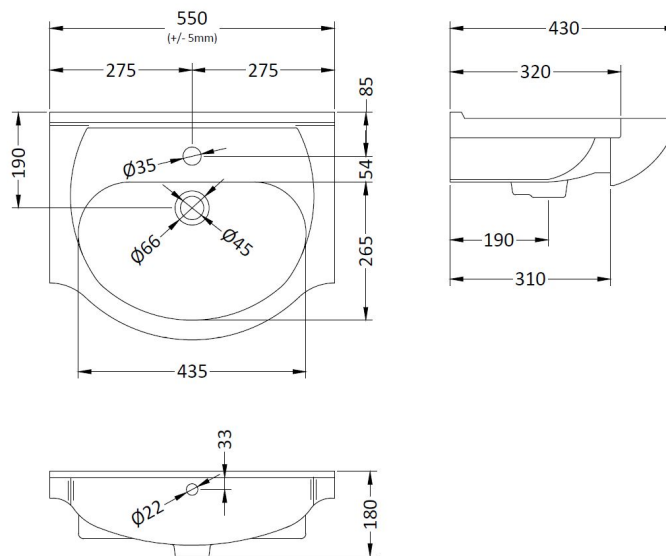


Packaging Details

Barcode: 5055146168614

Sales Code: NBC002

Description: Classic 550mm 1T/H Basin



Product Dimensions

| | |
|-------------------|----|
| Height (mm): | 0 |
| Width (mm): | 0 |
| Depth (mm): | 0 |
| Nett Weight (kg): | 13 |

Packaging Dimensions

| | |
|--------------------|-------|
| Height (mm): | 470 |
| Width (mm): | 560 |
| Depth (mm): | 190 |
| Gross Weight (kg): | 13.69 |

Packaging Data

| | |
|---------------|-------------------------------|
| Box Colour: | Brown Cardboard Box - Printed |
| Box Qty: | 0 |
| Label Size: | 0 x 0 |
| Label Colour: | Not Applicable |
| Label Qty: | 0 |

Outer Box Dimensions (If Applicable)

| | |
|--------------------|---------------|
| Height (mm): | |
| Width (mm): | |
| Depth (mm): | |
| Gross Weight (kg): | |
| Barcode: | 5055146172895 |

Product Details

| | |
|---------------------------|----------------|
| Country of Origin: | China |
| Fitting Instruction: | No |
| Certification: CE & UKCA: | No |
| WRAS: | N/A |
| WRAS No: | N/A |
| Product Material: | Vitreous China |
| Fixing Supplied: | No |

Pans/Bidets: Trap Style: Not Applicable Includes Seat: Not Applicable

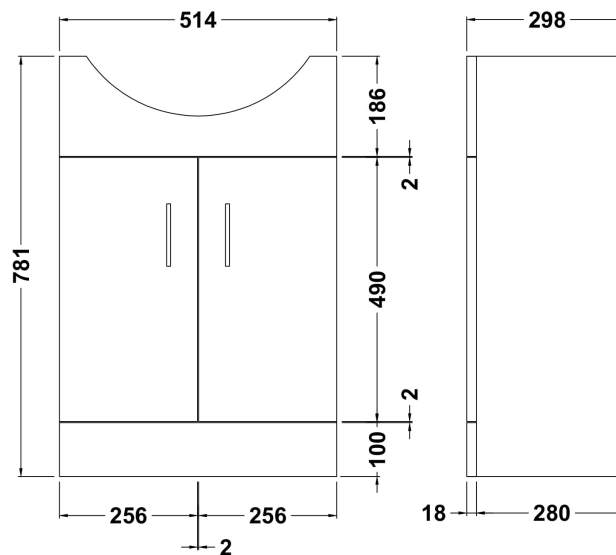
Seats: Seat Type: Not Applicable Material: Not Applicable
Function: Not Applicable Hinge Type: Not Applicable
Hinge Material: Not Applicable

Cisterns: Operating Type: Not Applicable Fittings: Not Applicable
Lever Type: Not Applicable

Basins: Tap Hole: One Taphole Chain Stay Hole: No
Template: Not Required Waste Type Req: Slotted
Overflow Inc: Yes Overflow Cover: Yes
Inner Bowl Depth (mm): 125mm

Sales Code: PRC102

Description: 550 Pr Std Basin Unit



Product Dimensions

| | |
|-------------------|------|
| Height (mm): | 781 |
| Width (mm): | 520 |
| Depth (mm): | 298 |
| Nett Weight (kg): | 15.8 |

Packaging Dimensions

| | |
|--------------------|------|
| Height (mm): | 325 |
| Width (mm): | 540 |
| Depth (mm): | 815 |
| Gross Weight (kg): | 16.8 |

Packaging Data

| | |
|---------------|-------------------------------|
| Box Colour: | Brown Cardboard Box - Printed |
| Box Qty: | 0 |
| Label Size: | 0 x 0 |
| Label Colour: | Not Applicable |
| Label Qty: | 0 |

Outer Box Dimensions (If Applicable)

| | |
|--------------------|---------------|
| Height (mm): | |
| Width (mm): | |
| Depth (mm): | |
| Gross Weight (kg): | |
| Barcode: | 5055369058327 |

Product Details

| | |
|--------------------------|------------------------------|
| Country of Origin: | China |
| Fitting Instruction: | No |
| CE & UKCA: | N/A |
| FSC Certified Materials: | Yes |
| Colour: | Gloss White |
| Construction Method: | Cam & Wood Dowel |
| Construction Type: | Rigid |
| Cabinet Finish: | MFC Painted Gloss |
| Fascia Finish: | Mdf Painted Gloss |
| Cabinet Thickness (mm): | 16 |
| Fascia Thickness (mm): | 18 |
| Drawer Included: | No |
| Drawer Type: | Not Applicable |
| No of Shelves: | 1 |
| Hinge Type: | 95 Degree Clip-On Soft Close |
| Hinge Included: | Yes |
| Adjustable Legs: | No |
| Fixings Included: | No |
| Handle Style: | Modern |
| Waste Shroud: | No |
| Handle Included: | Yes |
| Handle Type: | D-Shape |