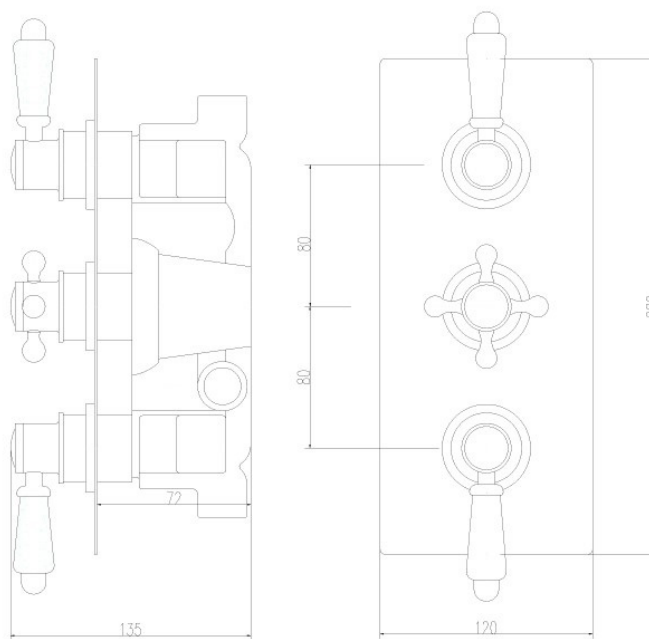


Sales Code: ITY315

Description: Traditional Triple Conc Thermo Valve



Product Dimensions

| | |
|-------------------|------|
| Length (mm): | |
| Width (mm): | 120 |
| Height (mm): | 280 |
| Depth (mm): | 135 |
| Nett Weight (kg): | 3.54 |

Packaging Dimensions

| | |
|--------------------|------|
| Length (mm): | 320 |
| Width (mm): | 250 |
| Height (mm): | 110 |
| Gross Weight (kg): | 3.54 |

Packaging Data

| | |
|---------------|---------------------|
| Box Colour: | White Cardboard Box |
| Box Qty: | 0 |
| Label Size: | 0 x 0 |
| Label Colour: | White Label |
| Label Qty: | 0 |

Outer Box Dimensions (If Applicable)

| | |
|--------------------|---------------|
| Length (mm): | |
| Width (mm): | 520 |
| Height (mm): | 415 |
| Depth (mm): | 265 |
| Gross Weight (kg): | 21 |
| Barcode: | 5055146193975 |

Product Details

| | |
|---------------------------|--|
| Country of Origin: | United Kingdom |
| Fitting Instruction: | Yes |
| Product Material: | Brass/ABS |
| Mount Type: | Wall |
| Outlet Elbow Supplied: | No |
| Easy Clean: | Not Applicable |
| Head Included: | No |
| Handset Included: | No |
| Body Jets Included: | Not Applicable |
| No of Body Jets: | Not Applicable |
| Operating Pressure (bar): | 0.1 |
| Valve/Cartridge Type: | 1/4 Turn Ceramic Disc |
| Flow Rates (L/min): | 0.1 bar: 5.5 0.5 bar: 14 1 bar: 20 2 bar: 29 3 bar: 44 |
| TMV2 Approved: | No Approval No: N/A |
| TMV3 Approved: | No Approval No: N/A |
| WRAS Approved: | Yes Approval No: 2204707 |
| Head Function: | Not Applicable |
| Handset Function: | Not Applicable |
| Body Jet Info: | Not Applicable |
| Pipe Size: | 15 mm (1/2" Bsp) |
| Pipe Centres: | N/A |
| Colour/Finish: | Chrome |
| Hose Included: | Not Applicable |
| No. of Outlets: | 2 |