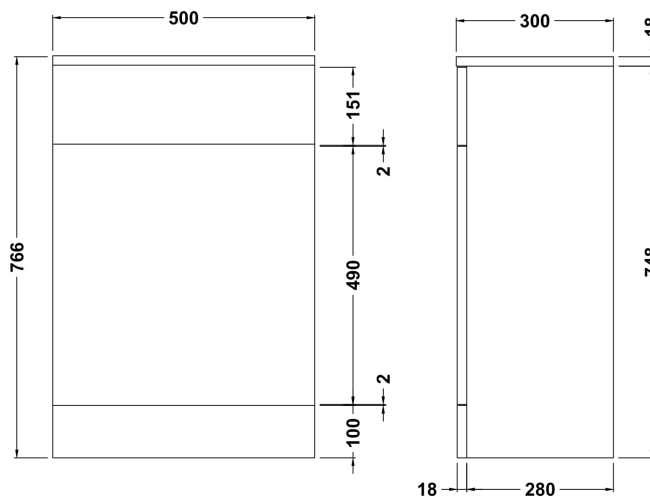


Sales Code: PRC141

Description: 500X300 Pr W.C. Unit



Product Dimensions

| | |
|-------------------|-------|
| Height (mm): | 766 |
| Width (mm): | 500 |
| Depth (mm): | 300 |
| Nett Weight (kg): | 15.72 |

Packaging Dimensions

| | |
|--------------------|-------|
| Height (mm): | 325 |
| Width (mm): | 525 |
| Depth (mm): | 810 |
| Gross Weight (kg): | 15.72 |

Packaging Data

| | |
|---------------|-------------------------------|
| Box Colour: | Brown Cardboard Box - Printed |
| Box Qty: | 0 |
| Label Size: | 0 x 0 |
| Label Colour: | Not Applicable |
| Label Qty: | 0 |

Outer Box Dimensions (If Applicable)

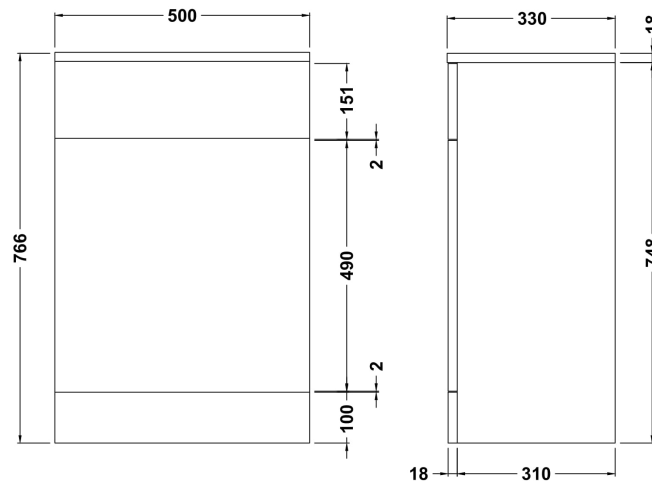
| | |
|--------------------|---------------|
| Height (mm): | |
| Width (mm): | |
| Depth (mm): | |
| Gross Weight (kg): | |
| Barcode: | 5055275830055 |

Product Details

| | |
|--------------------------|-------------------|
| Country of Origin: | China |
| Fitting Instruction: | Yes |
| CE & UKCA: | N/A |
| FSC Certified Materials: | Yes |
| Colour: | Gloss White |
| Construction Method: | Cam & Wood Dowel |
| Construction Type: | Rigid |
| Cabinet Finish: | MFC Painted Gloss |
| Fascia Finish: | Mdf Painted Gloss |
| Cabinet Thickness (mm): | 16 |
| Fascia Thickness (mm): | 18 |
| Drawer Included: | No |
| Drawer Type: | Not Applicable |
| No of Shelves: | 0 |
| Hinge Type: | Not Applicable |
| Hinge Included: | No |
| Adjustable Legs: | No |
| Fixings Included: | No |
| Handle Style: | Not Applicable |
| Waste Shroud: | No |
| Handle Included: | No |
| Handle Type: | Not Applicable |

Sales Code: PRC142

Description: 500X330 Pr W.C. Unit



Product Dimensions

| | |
|-------------------|------|
| Height (mm): | 766 |
| Width (mm): | 500 |
| Depth (mm): | 330 |
| Nett Weight (kg): | 18.3 |

Packaging Dimensions

| | |
|--------------------|------|
| Height (mm): | 355 |
| Width (mm): | 525 |
| Depth (mm): | 810 |
| Gross Weight (kg): | 18.3 |

Packaging Data

| | |
|---------------|-------------------------------|
| Box Colour: | Brown Cardboard Box - Printed |
| Box Qty: | 0 |
| Label Size: | 0 x 0 |
| Label Colour: | Not Applicable |
| Label Qty: | 0 |

Outer Box Dimensions (If Applicable)

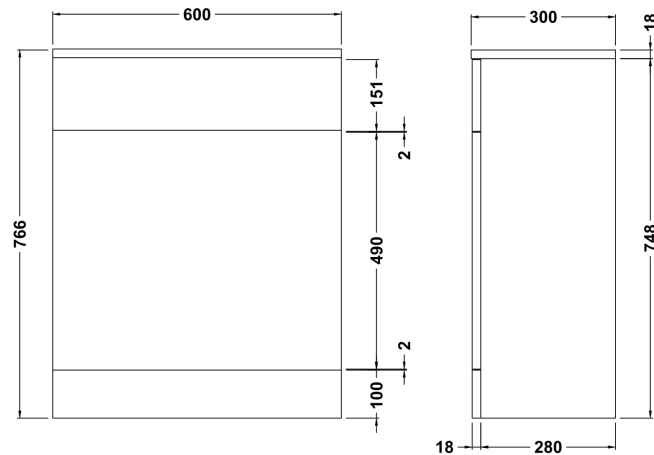
| | |
|--------------------|---------------|
| Height (mm): | |
| Width (mm): | |
| Depth (mm): | |
| Gross Weight (kg): | |
| Barcode: | 5055275830178 |

Product Details

| | |
|--------------------------|-------------------|
| Country of Origin: | China |
| Fitting Instruction: | Yes |
| CE & UKCA: | N/A |
| FSC Certified Materials: | Yes |
| Colour: | Gloss White |
| Construction Method: | Cam & Wood Dowel |
| Construction Type: | Rigid |
| Cabinet Finish: | MFC Painted Gloss |
| Fascia Finish: | Mdf Painted Gloss |
| Cabinet Thickness (mm): | 16 |
| Fascia Thickness (mm): | 18 |
| Drawer Included: | No |
| Drawer Type: | Not Applicable |
| No of Shelves: | 0 |
| Hinge Type: | Not Applicable |
| Hinge Included: | No |
| Adjustable Legs: | No |
| Fixings Included: | No |
| Handle Style: | Not Applicable |
| Waste Shroud: | No |
| Handle Included: | No |
| Handle Type: | Not Applicable |

Sales Code: PRC143

Description: 600X300 Pr W.C. Unit



Product Dimensions

| | |
|-------------------|-----|
| Height (mm): | 766 |
| Width (mm): | 600 |
| Depth (mm): | 300 |
| Nett Weight (kg): | 18 |

Packaging Dimensions

| | |
|--------------------|-----|
| Height (mm): | 325 |
| Width (mm): | 625 |
| Depth (mm): | 810 |
| Gross Weight (kg): | 18 |

Packaging Data

| | |
|---------------|-------------------------------|
| Box Colour: | Brown Cardboard Box - Printed |
| Box Qty: | 0 |
| Label Size: | 0 x 0 |
| Label Colour: | Not Applicable |
| Label Qty: | 0 |

Outer Box Dimensions (If Applicable)

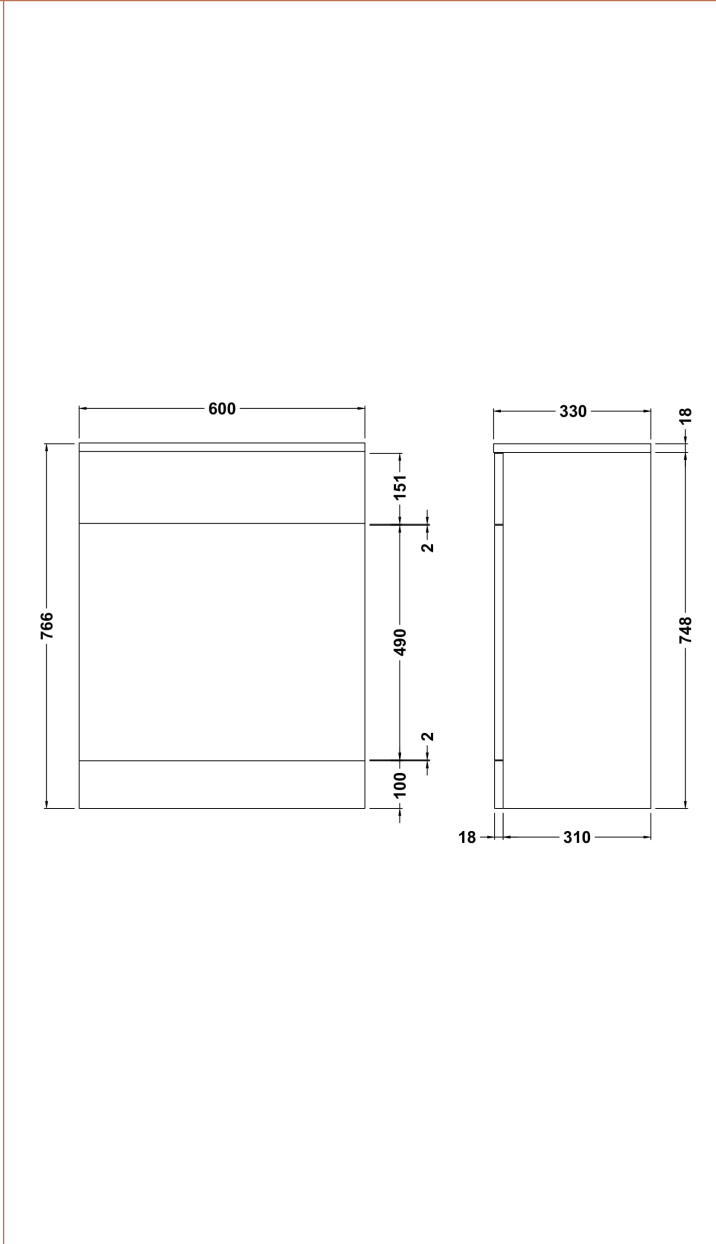
| | |
|--------------------|---------------|
| Height (mm): | |
| Width (mm): | |
| Depth (mm): | |
| Gross Weight (kg): | |
| Barcode: | 5055275830192 |

Product Details

| | |
|--------------------------|-------------------|
| Country of Origin: | China |
| Fitting Instruction: | Yes |
| CE & UKCA: | N/A |
| FSC Certified Materials: | Yes |
| Colour: | Gloss White |
| Construction Method: | Cam & Wood Dowel |
| Construction Type: | Rigid |
| Cabinet Finish: | MFC Painted Gloss |
| Fascia Finish: | Mdf Painted Gloss |
| Cabinet Thickness (mm): | 16 |
| Fascia Thickness (mm): | 18 |
| Drawer Included: | No |
| Drawer Type: | Not Applicable |
| No of Shelves: | 0 |
| Hinge Type: | Not Applicable |
| Hinge Included: | No |
| Adjustable Legs: | No |
| Fixings Included: | No |
| Handle Style: | Not Applicable |
| Waste Shroud: | No |
| Handle Included: | No |
| Handle Type: | Not Applicable |

Sales Code: PRC144

Description: 600X330 Pr W.C. Unit



Product Dimensions

| | |
|-------------------|-------|
| Height (mm): | 766 |
| Width (mm): | 600 |
| Depth (mm): | 330 |
| Nett Weight (kg): | 20.65 |

Packaging Dimensions

| | |
|--------------------|-------|
| Height (mm): | 355 |
| Width (mm): | 625 |
| Depth (mm): | 810 |
| Gross Weight (kg): | 20.65 |

Packaging Data

| | |
|---------------|-------------------------------|
| Box Colour: | Brown Cardboard Box - Printed |
| Box Qty: | 0 |
| Label Size: | 0 x 0 |
| Label Colour: | Not Applicable |
| Label Qty: | 0 |

Outer Box Dimensions (If Applicable)

| | |
|--------------------|---------------|
| Height (mm): | |
| Width (mm): | |
| Depth (mm): | |
| Gross Weight (kg): | |
| Barcode: | 5055275830208 |

Product Details

| | |
|--------------------------|-------------------|
| Country of Origin: | China |
| Fitting Instruction: | Yes |
| CE & UKCA: | N/A |
| FSC Certified Materials: | Yes |
| Colour: | Gloss White |
| Construction Method: | Cam & Wood Dowel |
| Construction Type: | Rigid |
| Cabinet Finish: | MFC Painted Gloss |
| Fascia Finish: | Mdf Painted Gloss |
| Cabinet Thickness (mm): | 16 |
| Fascia Thickness (mm): | 18 |
| Drawer Included: | No |
| Drawer Type: | Not Applicable |
| No of Shelves: | 0 |
| Hinge Type: | Not Applicable |
| Hinge Included: | No |
| Adjustable Legs: | No |
| Fixings Included: | No |
| Handle Style: | Not Applicable |
| Waste Shroud: | No |
| Handle Included: | No |
| Handle Type: | Not Applicable |