

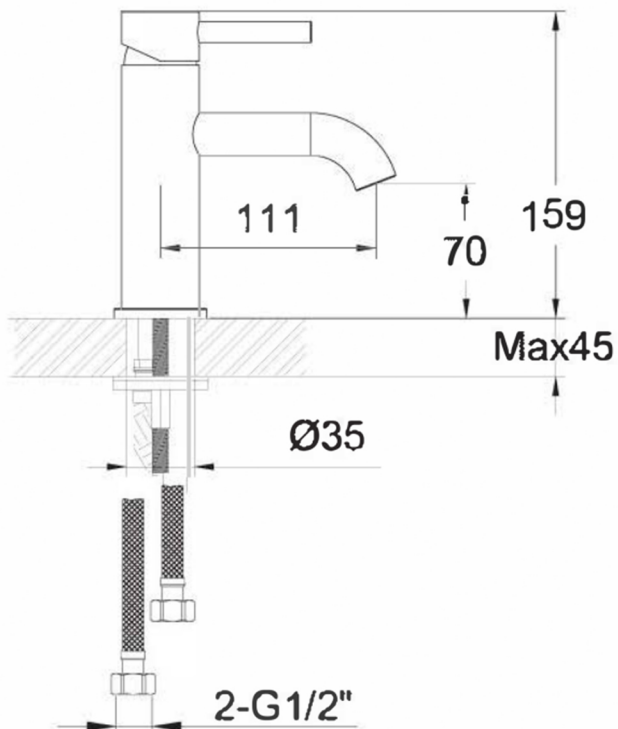


# Technical Data Sheet

Product range: FLORENCE

Product code: 15008A - DH15008A

Finishes Available: Chrome



**Min Pressure:**

LP 0.2

**Approvals:**

WRAS

**Connections:**

G 1/2"

**Warranty:**

15 Years (5 on cartridges)

## Flow Rate

0.2Bar: 3.9L/min

0.5Bar: 4.7L/min

1Bar: 5.6L/min

2Bar: 7.3L/min

3Bar: 9.1L/min