

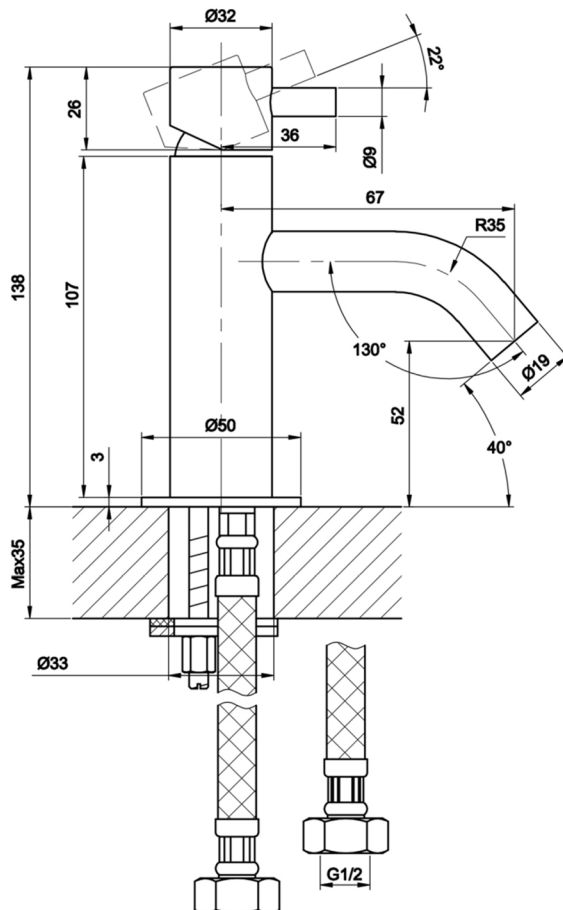


# Technical Data Sheet

Product range: FLORENCE

Product code: 55025

Finishes Available: Chrome



Min Pressure:

LP 0.2

Approvals:

N/A

Connections:

G 1/2"

Warranty:

15 Years

## Flow Rate

0.5Bar: 5.2L/min

1Bar: 8L/min

2Bar: 12.3L/min

3Bar: 15L/min