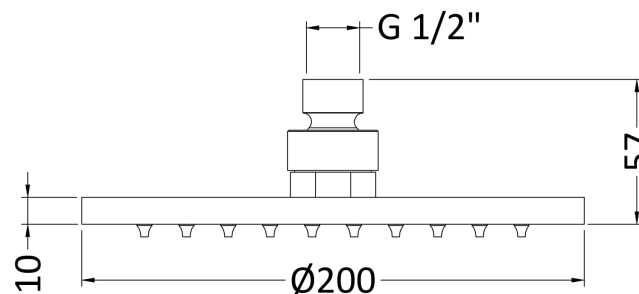
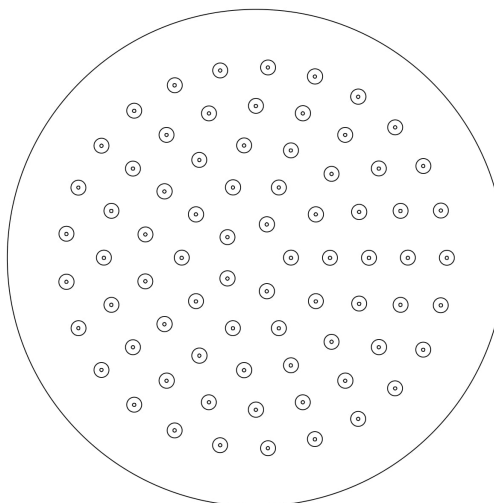


Sales Code: STY069

Description: Led 200mm Round Fixed Head



Product Dimensions

Length (mm):	
Width (mm):	200
Height (mm):	58
Depth (mm):	200
Nett Weight (kg):	1.08

Packaging Dimensions

Length (mm):	230
Width (mm):	420
Height (mm):	470
Gross Weight (kg):	1.08

Packaging Data

Box Colour:	White Cardboard Box
Box Qty:	0
Label Size:	0 x 0
Label Colour:	White Label
Label Qty:	0

Outer Box Dimensions (If Applicable)

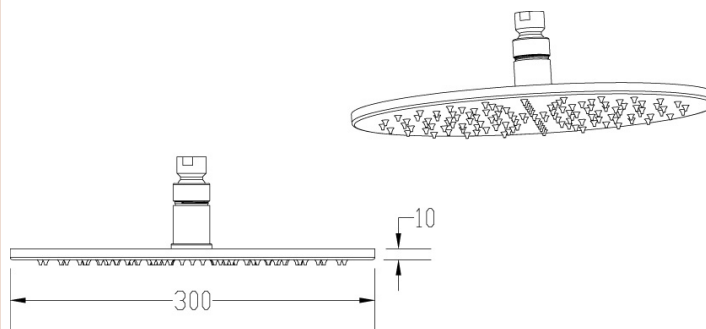
Length (mm):	
Width (mm):	230
Height (mm):	480
Depth (mm):	420
Gross Weight (kg):	11
Barcode:	5055369048649

Product Details

Country of Origin:	China
Fitting Instruction:	Yes
Product Material:	Brass
Mount Type:	Wall
Outlet Elbow Supplied:	No
Easy Clean:	No
Headset Included:	Yes
Handset Included:	No
Body Jets Included:	Not Applicable
No of Body Jets:	Not Applicable
Operating Pressure (bar):	0.5
Valve/Cartridge Type:	Not Applicable
Flow Rates (L/min):	0.1 bar: N/A 0.5 bar: N/A 1 bar: N/A 2 bar: N/A 3 bar: N/A
TMV2 Approved:	No Approval No: N/A
TMV3 Approved:	No Approval No: N/A
WRAS Approved:	No Approval No: N/A
Head Function:	Single
Handset Function:	Not Applicable
Body Jet Info:	Not Applicable
Pipe Size:	Not Applicable
Pipe Centres:	N/A
Colour/Finish:	Chrome
Hose Included:	Not Applicable
No. of Outlets:	N/A

Sales Code: STY071

Description: Led 300mm Round Fixed Head



Product Dimensions

Length (mm):	
Width (mm):	300
Height (mm):	58
Depth (mm):	300
Nett Weight (kg):	2.04

Packaging Dimensions

Length (mm):	345
Width (mm):	410
Height (mm):	640
Gross Weight (kg):	2.04

Packaging Data

Box Colour:	White Cardboard Box
Box Qty:	0
Label Size:	0 x 0
Label Colour:	White Label
Label Qty:	0

Outer Box Dimensions (If Applicable)

Length (mm):	
Width (mm):	350
Height (mm):	645
Depth (mm):	425
Gross Weight (kg):	20
Barcode:	5055369051465

Product Details

Country of Origin:	China
Fitting Instruction:	Yes
Product Material:	Brass
Mount Type:	Wall
Outlet Elbow Supplied:	No
Easy Clean:	Yes
Head Included:	Yes
Handset Included:	No
Body Jets Included:	Not Applicable
No of Body Jets:	Not Applicable
Operating Pressure (bar):	0.5
Valve/Cartridge Type:	Not Applicable
Flow Rates (L/min):	0.1 bar: N/A 0.5 bar: N/A 1 bar: N/A 2 bar: N/A 3 bar: N/A
TMV2 Approved:	No Approval No: N/A
TMV3 Approved:	No Approval No: N/A
WRAS Approved:	No Approval No: N/A
Head Function:	Single
Handset Function:	Not Applicable
Body Jet Info:	Not Applicable
Pipe Size:	Not Applicable
Pipe Centres:	N/A
Colour/Finish:	Chrome
Hose Included:	Not Applicable
No. of Outlets:	N/A