

Technical Data Sheet

Storm Shower Systems

ROPER RHODES®

No.	Description	Code	Fixings Included
1	Storm Dual Function Concealed Shower System	SVSET43	YES



Inlet Pressure	Flow Rate (l/min)
1bar	19.16
2bar	27.46
3bar	33.61
4bar	38.88
5bar	46.12

Flow from valve may vary depending on accessories and domestic supply.

Components - SVSET43

- Dual Function Thermostatic Shower Valve - SV2205
- 190mm Aerial Solid Brass Shower Head - SVHEAD32
- Air-Drive 5 Function Shower Handset - SVHEAD29
- Easy Clean PVC Shower Hose - SVHOSE03
- Brass Wall Elbow And Shower Handset Holder - SVACS11

FAQs

How many fixing holes does the valve have? Four - two on the bottom and two on top of the valve.

What is the wall elbow made out of? Chrome-plated brass

What is the minimum pressure for the valve? 0.5bar

How long is the shower hose? 1.5m

Technical Data Sheet

ROPER RHODES®

Storm Shower Systems

No.	Description	Code	Fixings Included
1	Storm Dual Function Shower System With Accessory Shelf	SVSET37	YES



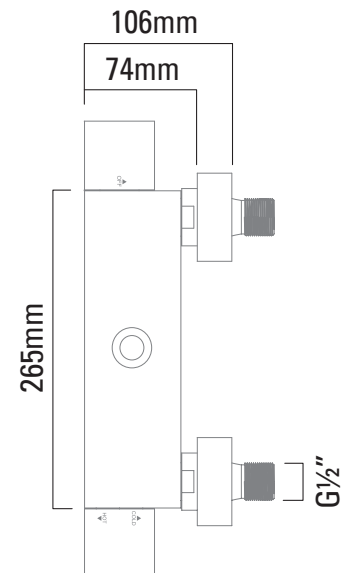
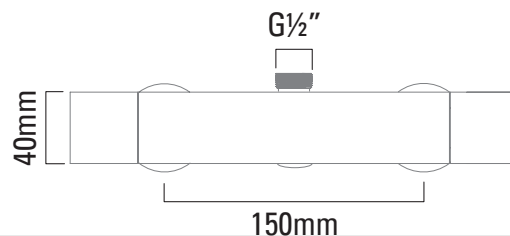
Inlet Pressure	Flow Rate (l/min)
1bar	23.40
2bar	33.09
3bar	34.80
4bar	46.80
5bar	51.85

Flow from valve may vary depending on accessories and domestic supply.

Components - SVSET37

Diagrams not to scale. All dimensions in mm (tolerance of +/-5mm)

- Surface Mounted Top Outlet Bar Valve (with Quick Fixing Kit) - SV2207
- Height Adjustable Rigid Riser Rail with Diverter - SVARM07
- 220mm Shower Head - SVHEAD18
- Single Function Shower Handset - SVHEAD24
- Brass Shower Hose - SVHOSE01



FAQs

How tall is the riser rail? Adjustable from 958 - 1440mm

How long is the shower hose? 1.5m

What is the minimum pressure for the valve? 1.0bar

What is the distance between the valve front and the wall when mounted? 106mm

What is the total bar valve height? 40mm

What is the valve connection size? 1/2"

What is the distance between the wall bracket and the head centre? 400mm

Technical Data Sheet

Storm Shower Systems

ROPER RHODES®

No.	Description	Code	Fixings Included
1	Storm Dual Function Shower System	SVSET02	YES



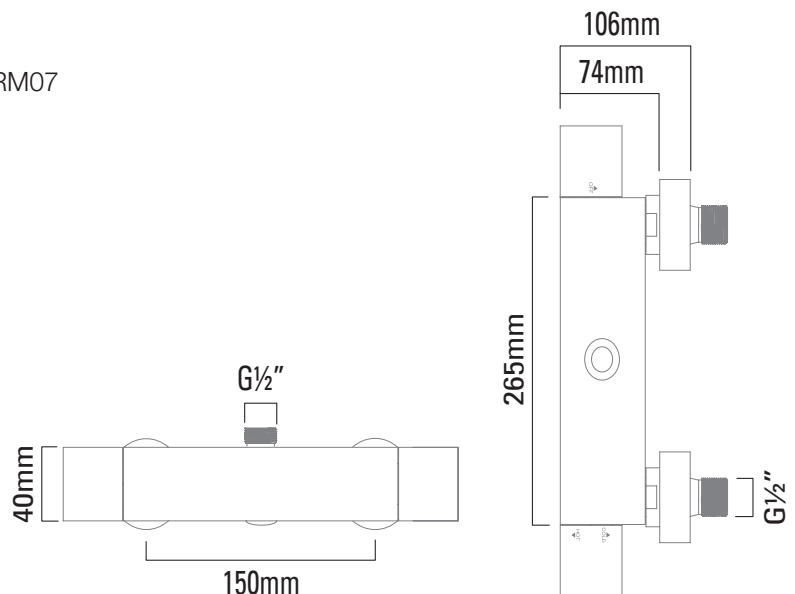
Inlet Pressure	Flow Rate (l/min)
1bar	23.20
2bar	32.80
3bar	34.90
4bar	46.40
5bar	51.41

Flow from valve may vary depending on accessories and domestic supply.

Components - SVSET02

Diagrams not to scale. All dimensions in mm (tolerance of +/-5mm)

- Thermostatic Top Outlet Bar Valve - SV2207
- Height Adjustable Rigid Riser Rail with Diverter - SVARM07
- 220mm Shower Head - SVHEAD18
- Single Function Shower Handset - SVHEAD24
- Brass Shower Hose - SVHOSE01



FAQs

How tall is the riser rail? Adjustable from

How long is the shower hose? 1.5m

What is the minimum pressure for the valve? 1.0bar

What is the distance between the valve front and the wall when mounted? 106mm

What is the total bar valve height? 40mm

What is the valve connection size? 1/2"

What is the distance between the wall bracket and the head centre? 400mm

Technical Data Sheet

Storm Shower Systems

ROPER RHODES®

No.	Description	Code	Fixings Included
1	Thermostatic Single Function Valve	SV2204	YES



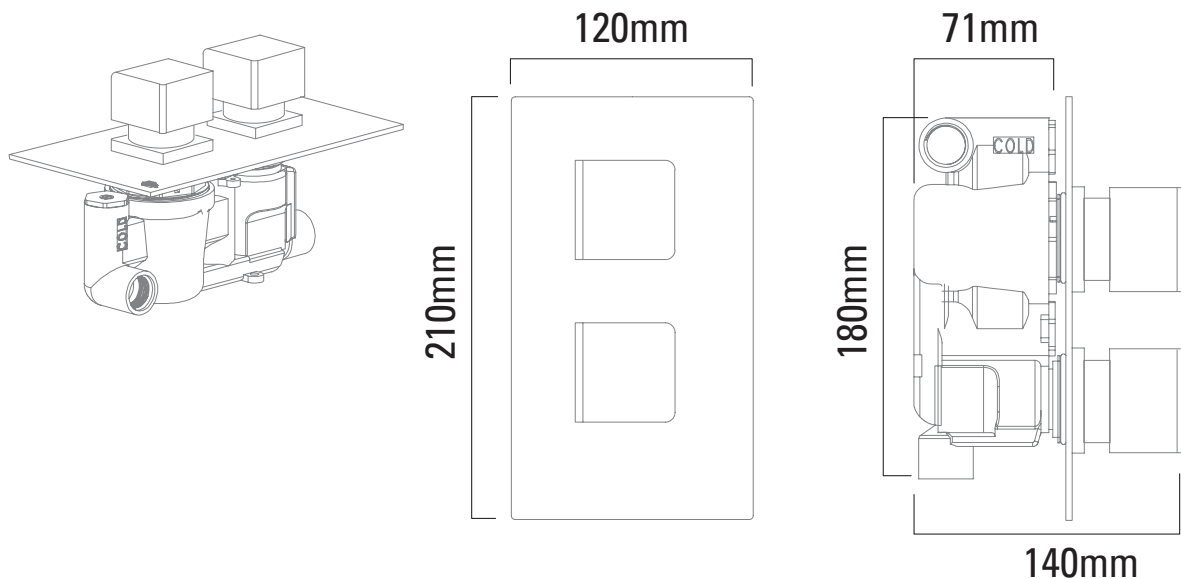
Inlet Pressure	Flow Rate (l/min)
0.2bar	10.32
0.5bar	13.65
1bar	19.65
2bar	28.55
3bar	34.07

Flow from valve may vary depending on accessories and domestic supply.

Dimensions - SV2204

Handle shape may vary.

Diagrams not to scale. All dimensions in mm (tolerance of +/-5mm)



*Dimensions are subject to change, customers are advised to measure actual product before commencing installation.

FAQs

How many fixing holes does the valve have? Two - one on the bottom and one on top of the valve.

What is included in the valve box? The valve, a cover plate, a set of handles and trim rings.

What is the size of the connections? The valve uses 1/2" connections.

No.	Description	Code	Fixings Included
1	Thermostatic Dual Function Valve	SV2205	YES



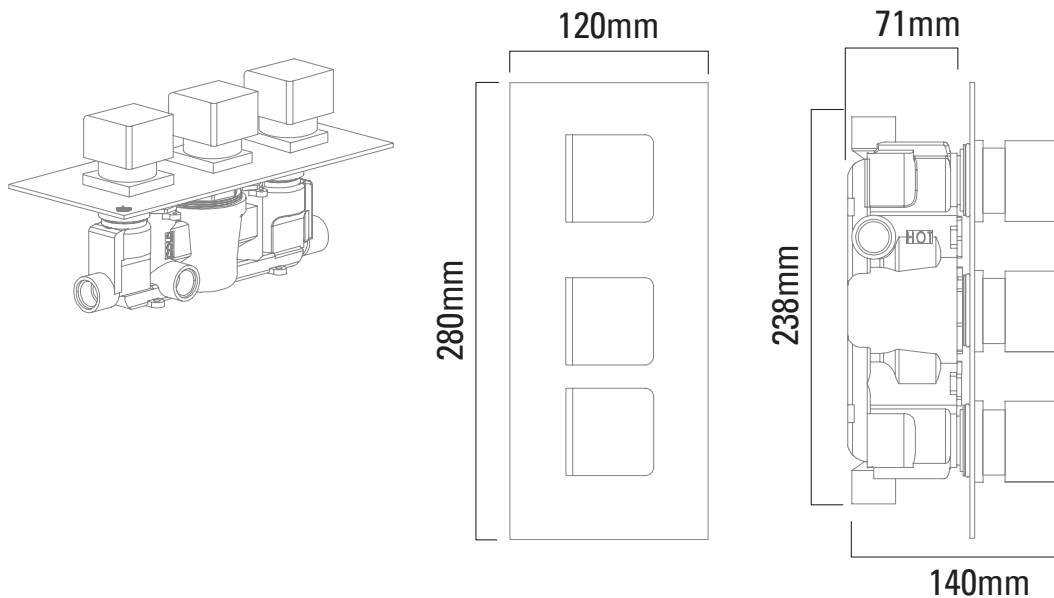
Inlet Pressure	Flow Rate (l/min)
0.5bar	12.75
1bar	19.16
2bar	27.46
3bar	33.61
4bar	38.88

Flow from valve may vary depending on accessories and domestic supply.

Dimensions - SV2205

Handle shape may vary.

Diagrams not to scale. All dimensions in mm (tolerance of +/-5mm)



*Dimensions are subject to change, customers are advised to measure actual product before commencing installation.

FAQs

How many fixing holes does the valve have? Four - two on the bottom and two on top of the valve.

What is included in the valve box? The valve, a cover plate, a set of handles and trim rings.

What is the size of the connections? The valve uses 1/2" connections