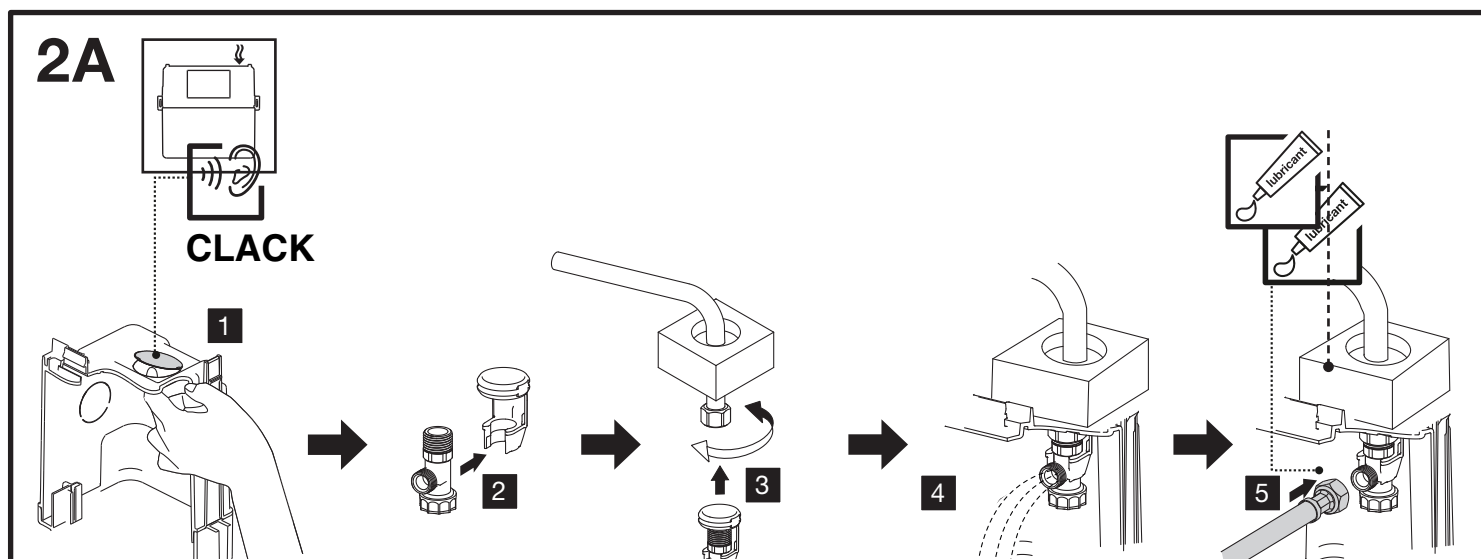
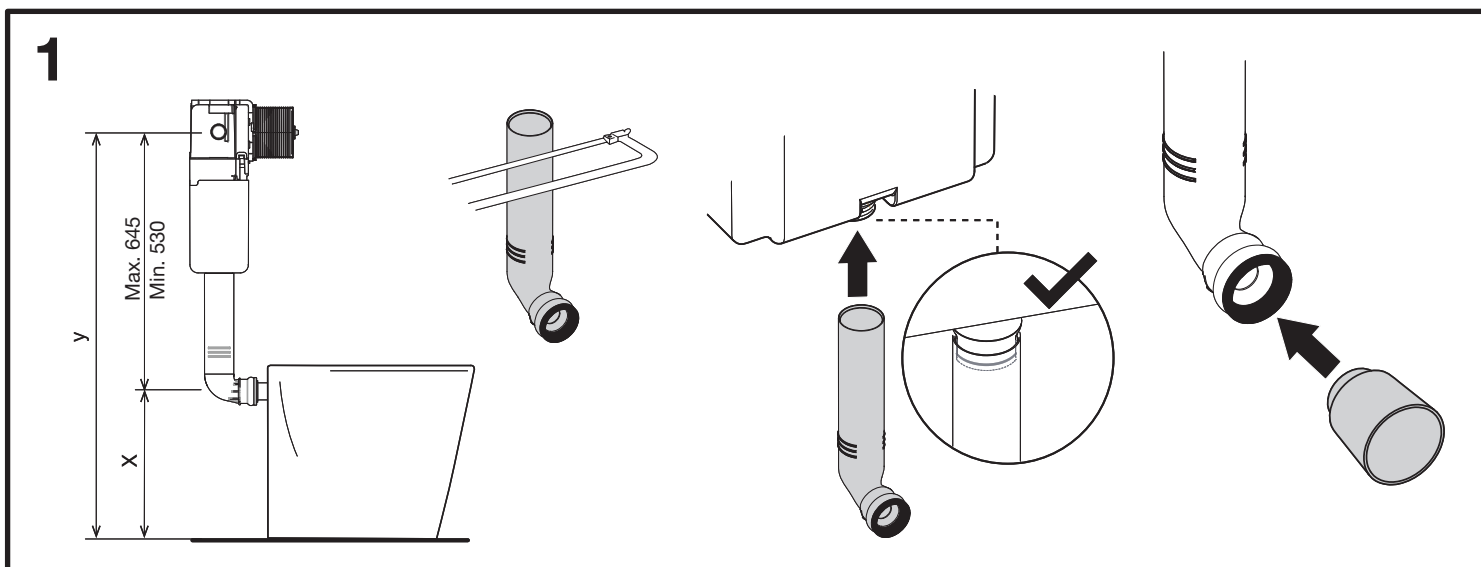
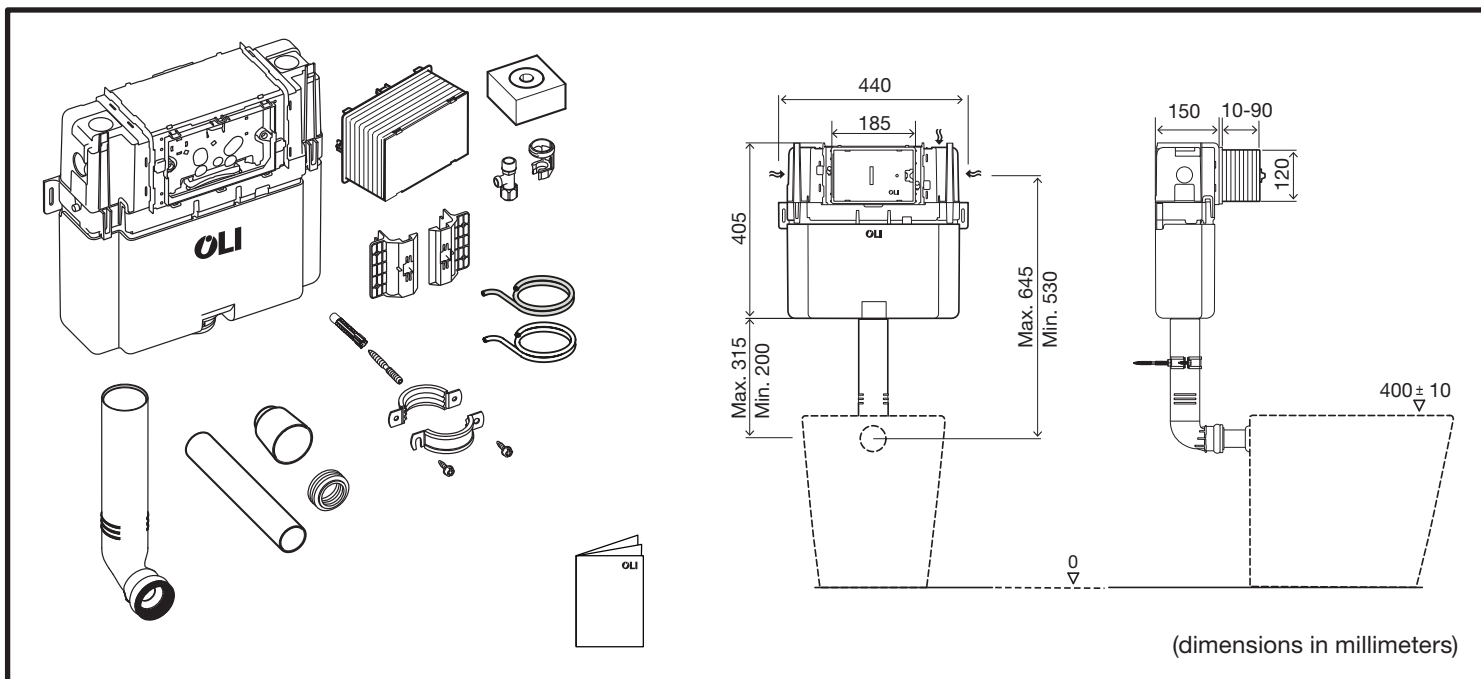
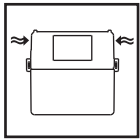


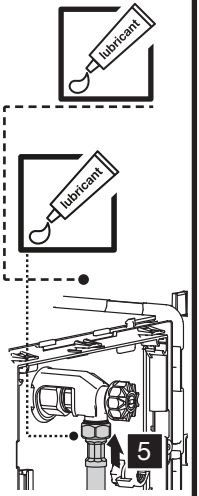
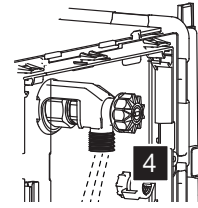
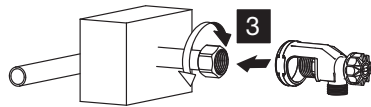
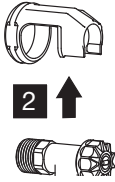
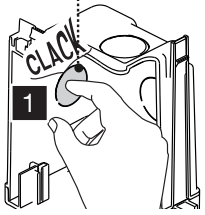
# CIS001 | PNEUMATIC



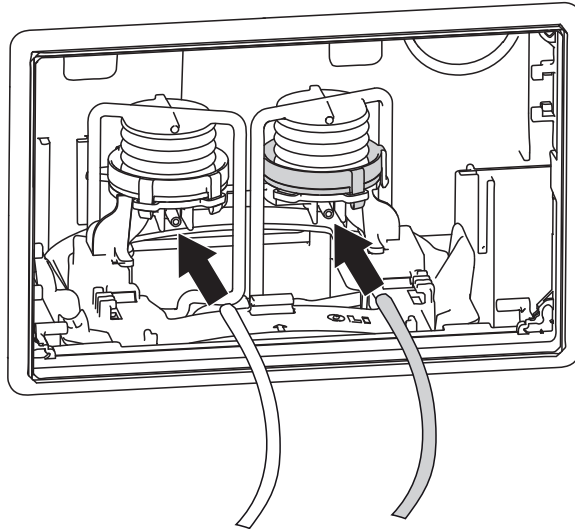
2B



CLACK

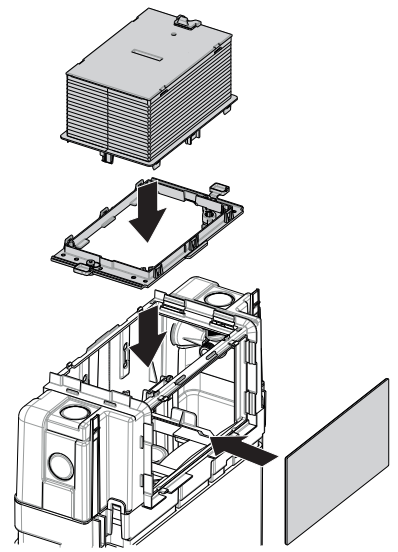
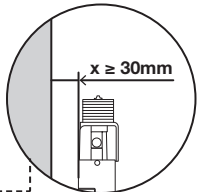
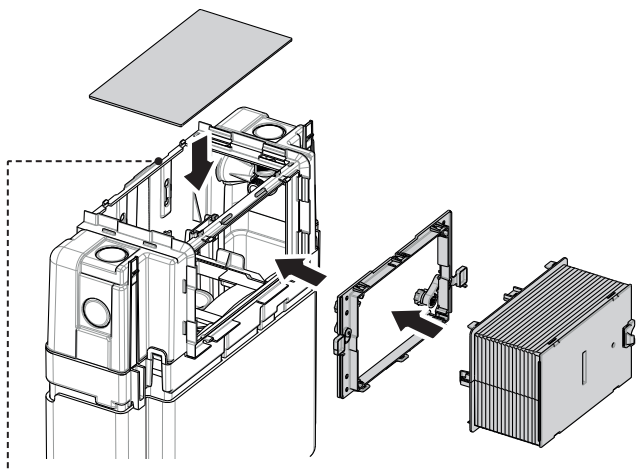


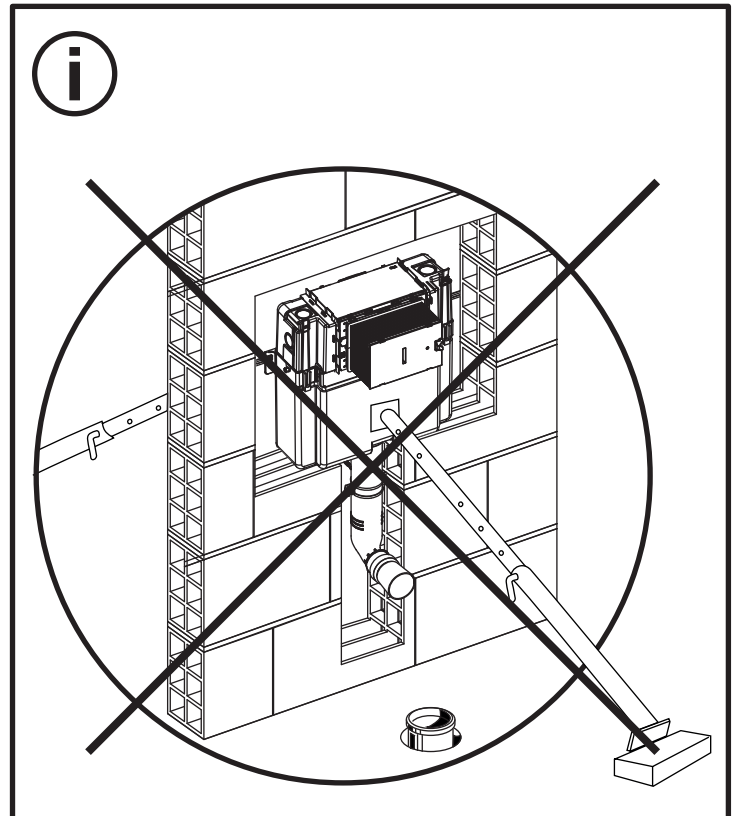
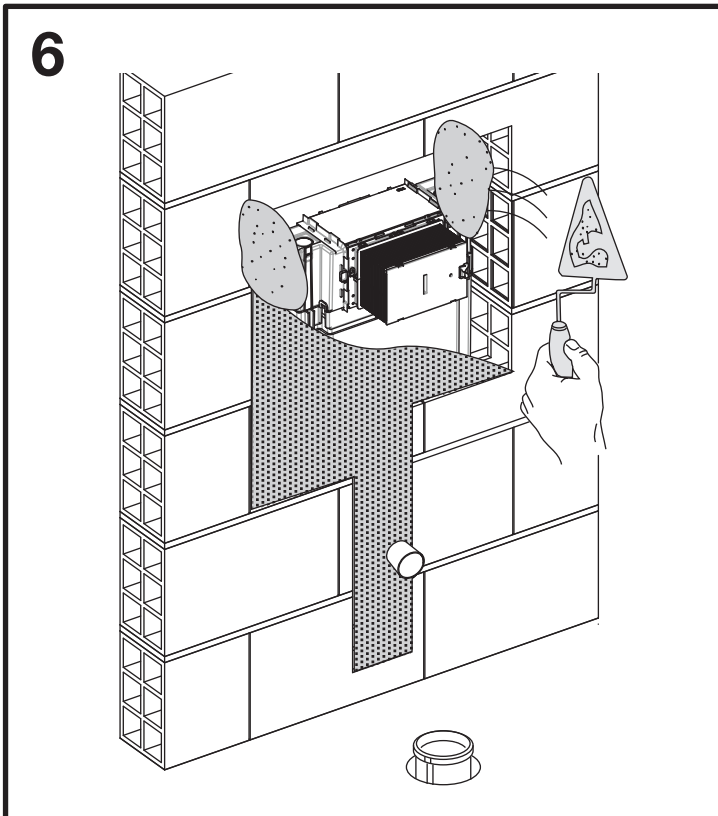
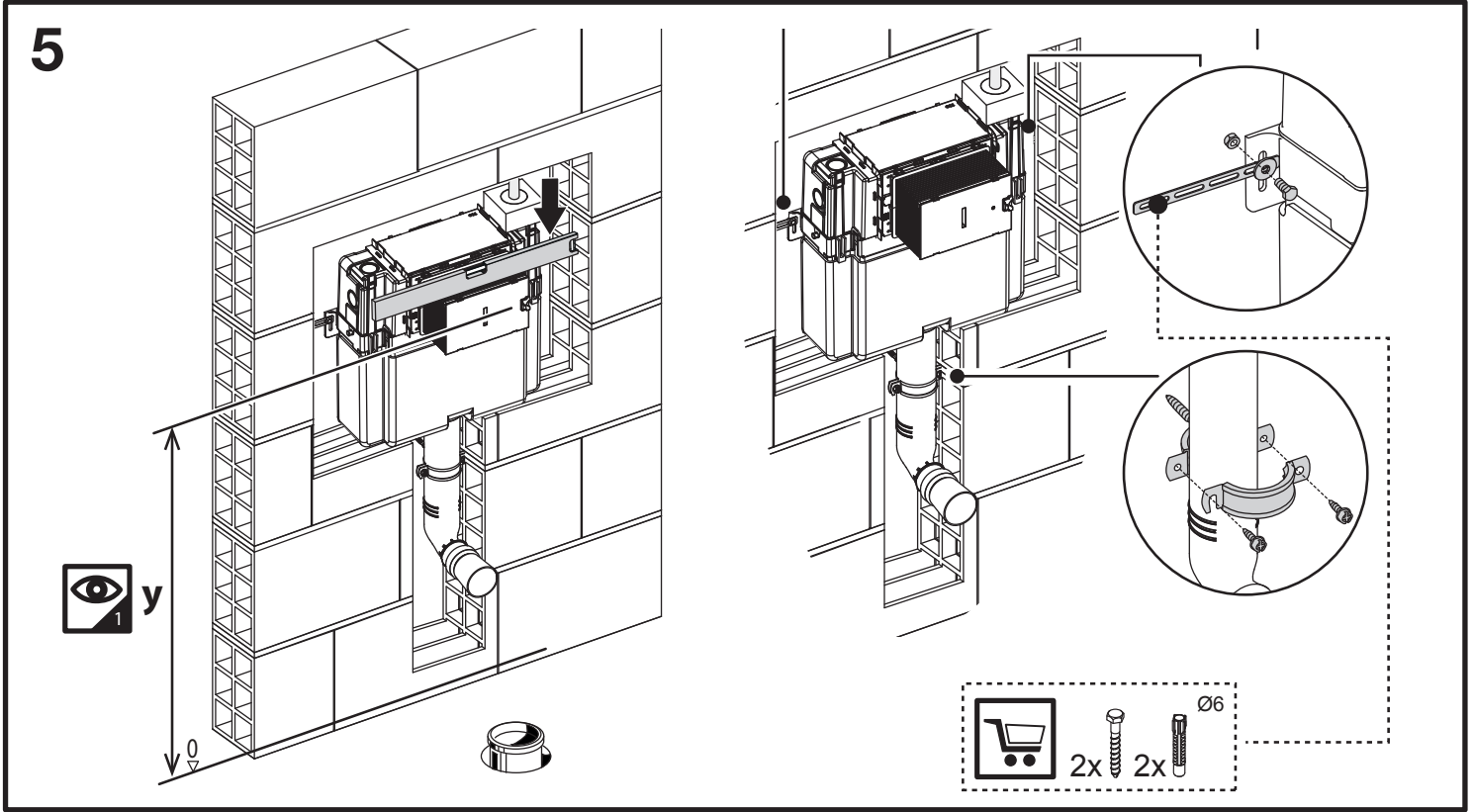
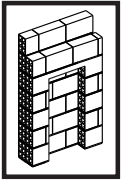
3

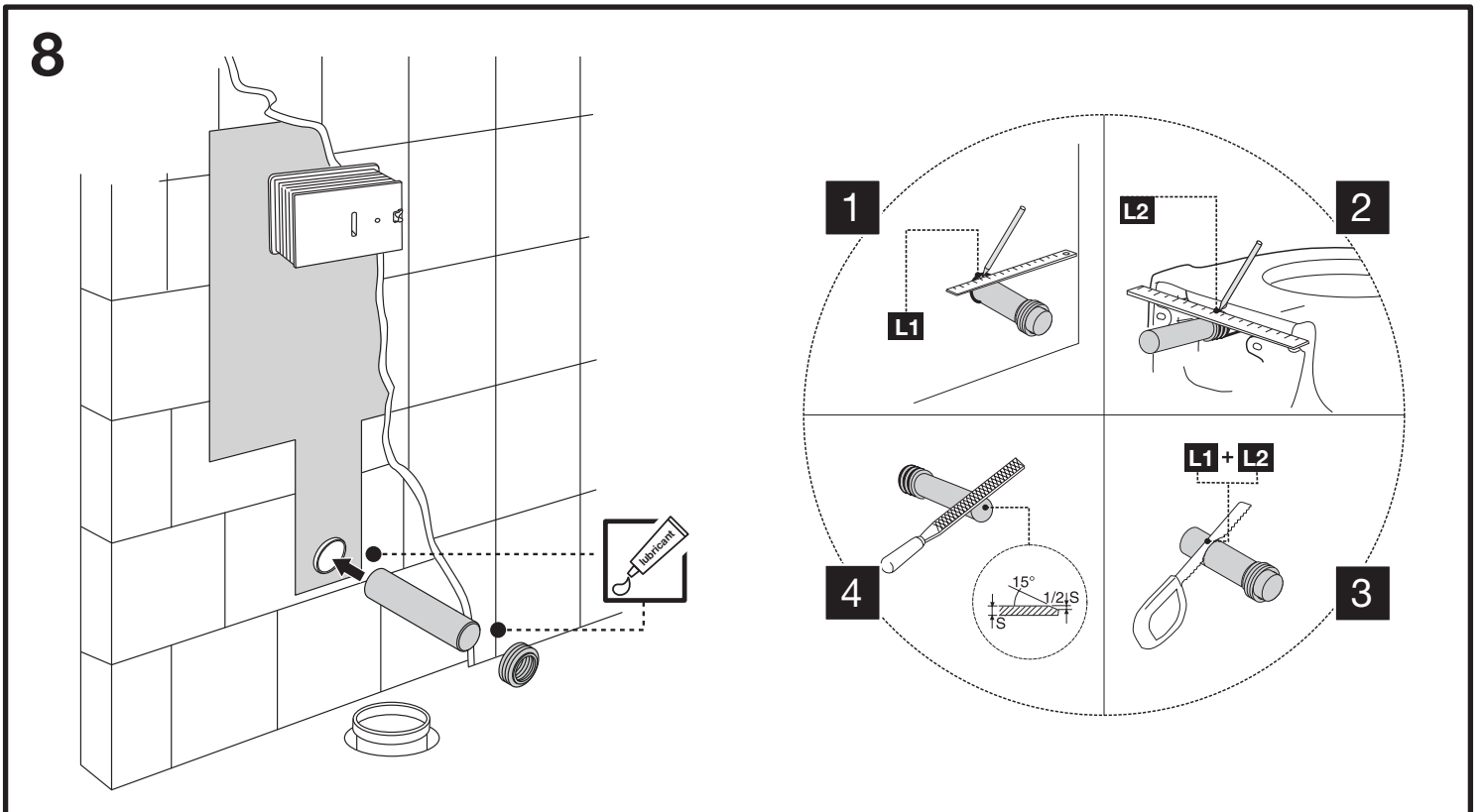
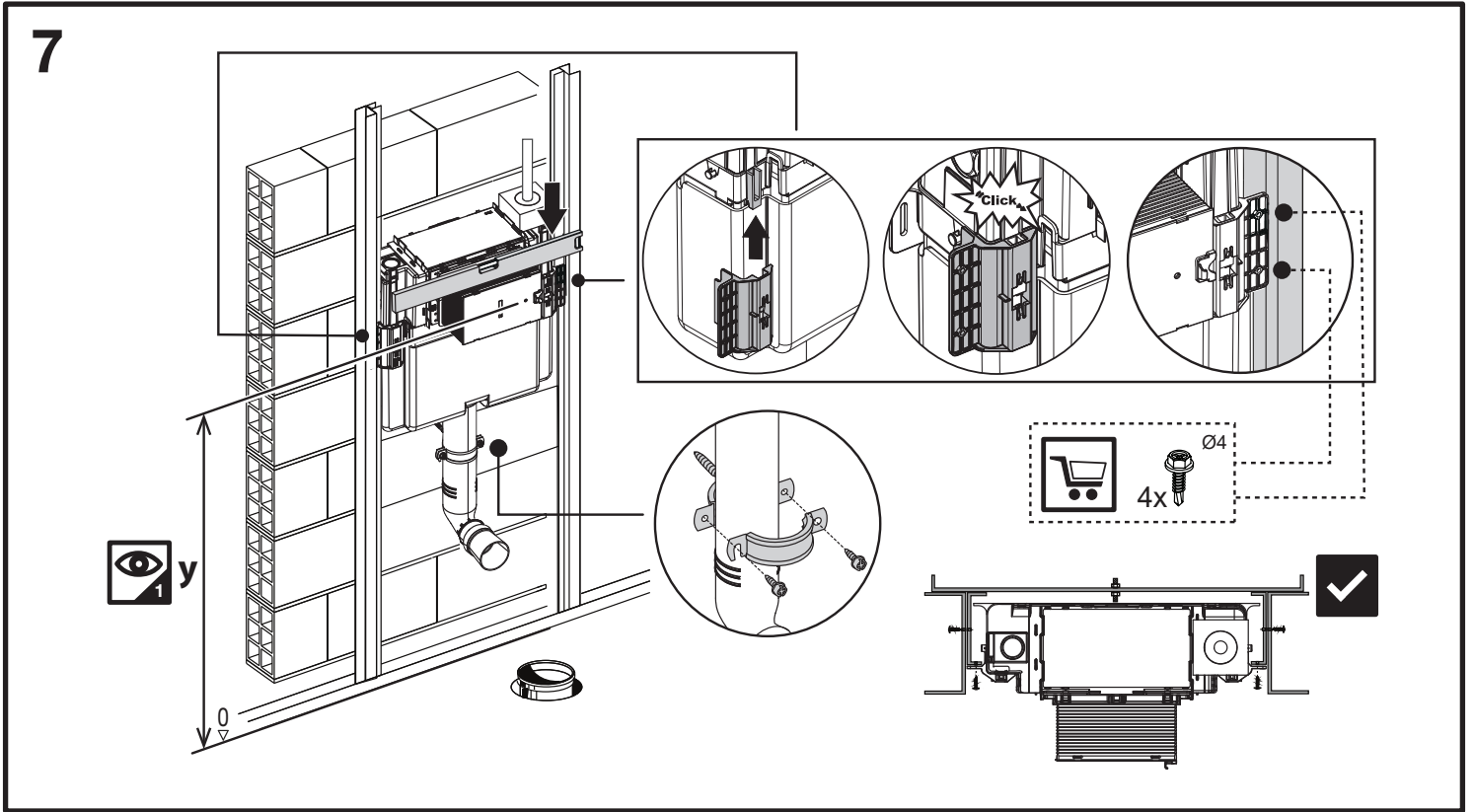
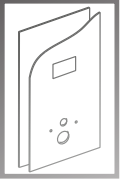


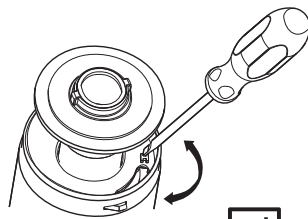
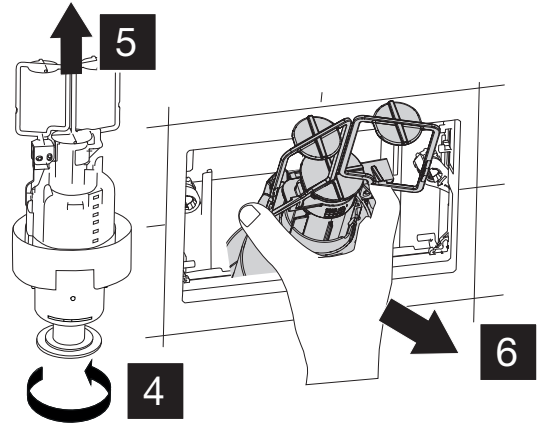
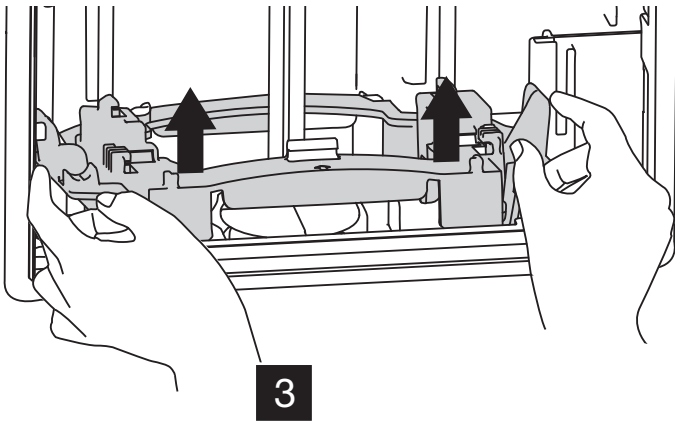
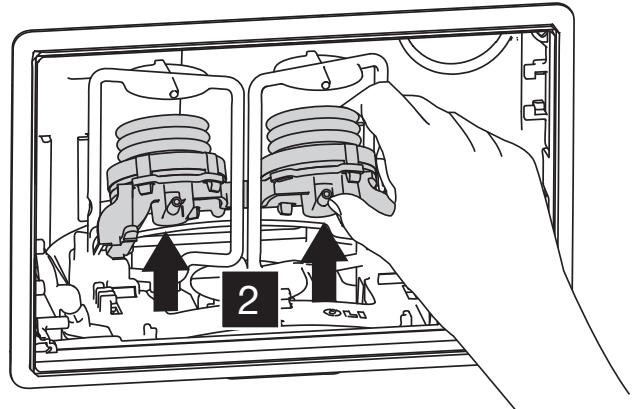
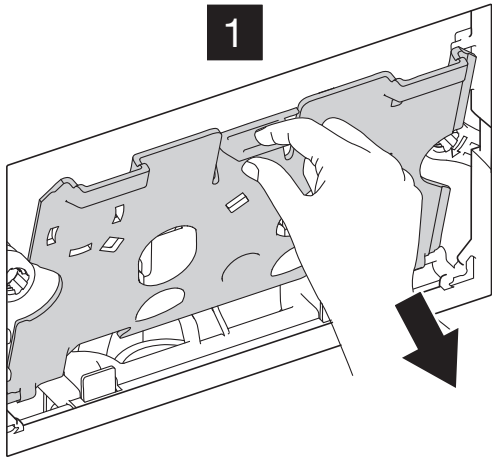
4 FRONT

TOP





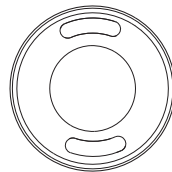
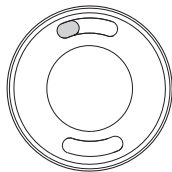
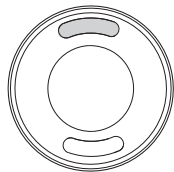




4L / 2L

6L / 3L

7L / 3L



Open

Closed