



Features:

- Large 6" premium fixed head
- Available in a selection of finishes
- 5 Year Guarantee
- Chrome Plated to BS EN 248 :2002

Product Certifications:



WRAS Cert. Number: 2007910
WRAS Expiry Date: 31/07/2025

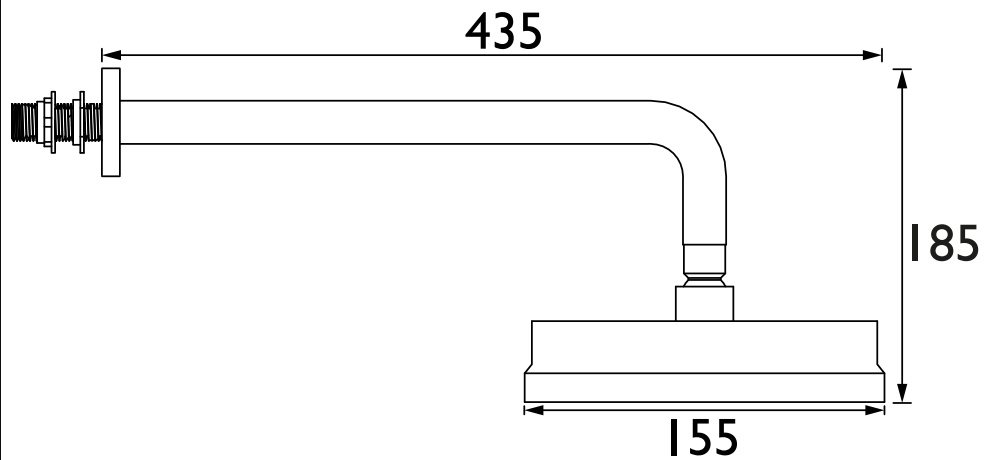


Additional Information:

Specification

Main Construction Material:	Brass
Adjustable Bracket:	No
Shower Head Type:	6" Shower Rose
Maximum Hot Water Supply Temperature °C:	65
Maximum Static Pressure (Bar):	10
Plumbing System Suitability:	Suitable for all plumbing systems
Min. Working Pressure: (Bar)	0.2
Max. Working Pressure: (Bar)	5.0
Isolation Valve Included:	No
Rub Clean Handset:	Yes
Mounting Type:	Wall Mounted

Dimensions (measurements in mm)



Flow Rates (l/min)

System Pressure (bar)	0.2	0.5	1	2	3	5
STCI9 (Mixed)	9.39	14.85	21	29.7	36.37	46.96