

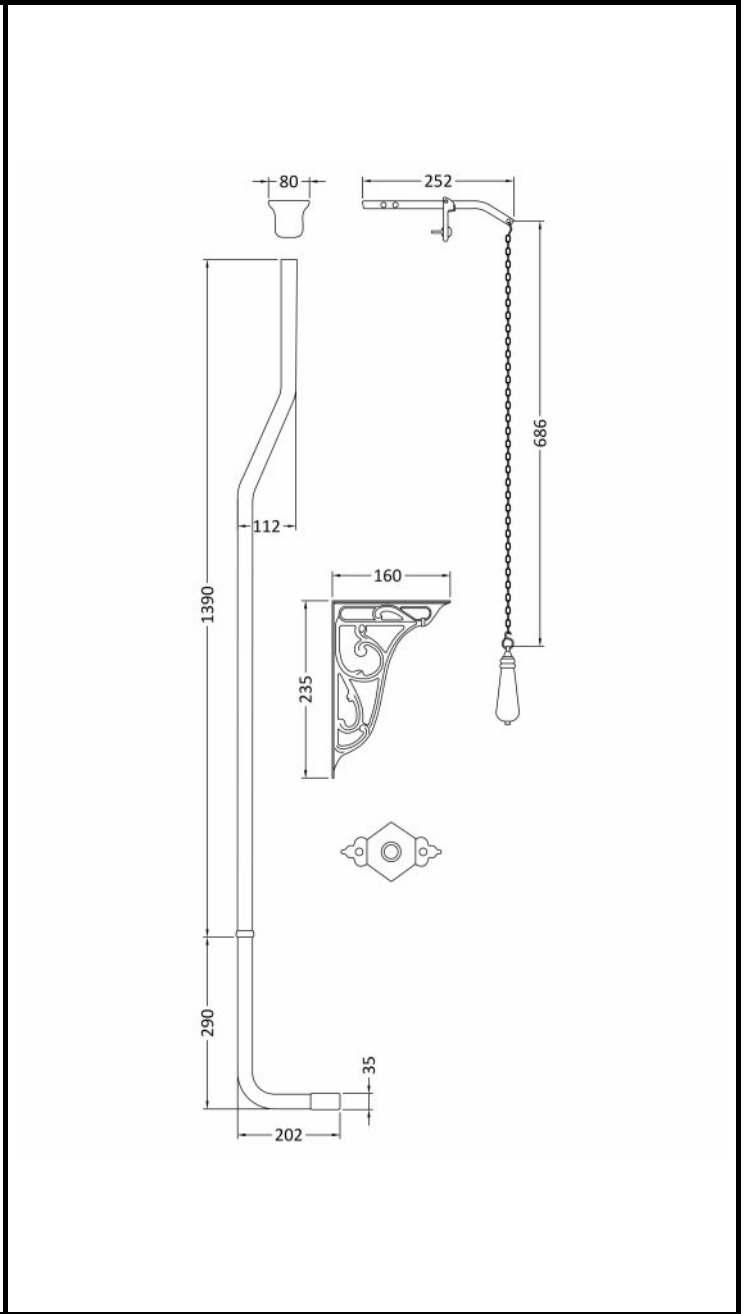
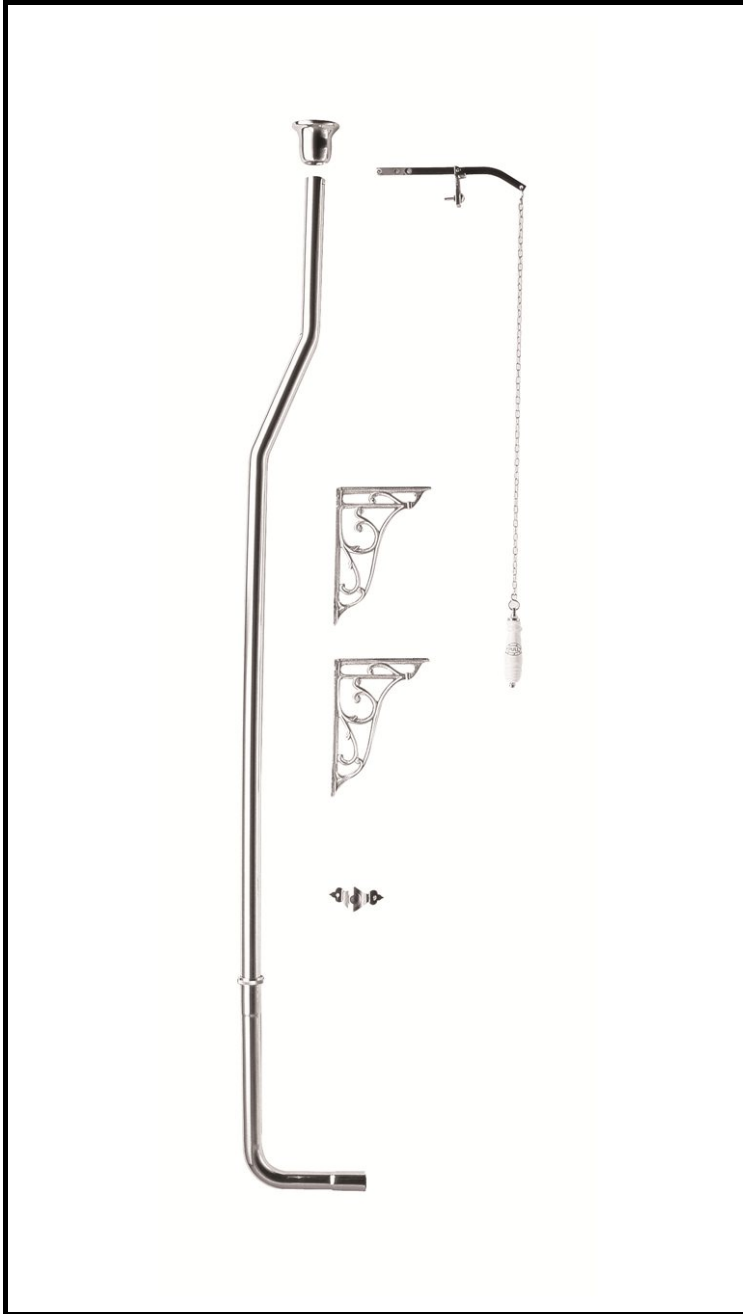
# B A Y S W A T E R

London W.2

**CODE:** BAYA015

**DESCRIPTION:** High Level Flush Pipe Pack

**CATEGORY:** Wastes & Extras



| PRODUCT DIMENSIONS |            |             |            |             |
|--------------------|------------|-------------|------------|-------------|
| Height (mm)        | Width (mm) | Length (mm) | Depth (mm) | Nett Wgt Kg |
| 1683               | 80         |             | 205        | 3.07        |

| PACKAGING DIMENSIONS |            |            |              |
|----------------------|------------|------------|--------------|
| Height (mm)          | Width (mm) | Depth (mm) | Gross Wgt Kg |
|                      | 100        | 1435       | 3.07         |

| PACKAGING DATA |                     |              |             |
|----------------|---------------------|--------------|-------------|
| Box Colour     | White Cardboard Box |              |             |
| Box Qty        | 1                   | Label Colour | White Label |
| Label Size     | 100 x 50            | Label Qty    | 2           |

| OUTER BOX DIMENSIONS (If Applicable) |               |             |            |              |
|--------------------------------------|---------------|-------------|------------|--------------|
| Height (mm)                          | Width (mm)    | Length (mm) | Depth (mm) | Gross Wgt Kg |
|                                      |               |             |            |              |
| Barcode                              | 5055275890417 |             |            |              |

| PRODUCT DETAILS         |                |
|-------------------------|----------------|
| Country of Origin       | China          |
| Fitting Instruction     | No             |
| Product Material        | Brass          |
| Heating Element Wattage | Not Applicable |

|                  |        |
|------------------|--------|
| CE Certification | N/A    |
| Colour/Finish    | Chrome |
| Product Diameter | 35mm   |
| Connection Size  | 11/2"  |