

GENERAL FITTING GUIDE

LOW LEVEL FLUSH PIPE KIT

IMPORTANT

Flush out all impurities in the cistern prior to installation.

INLET VALVE SPECIFICATIONS

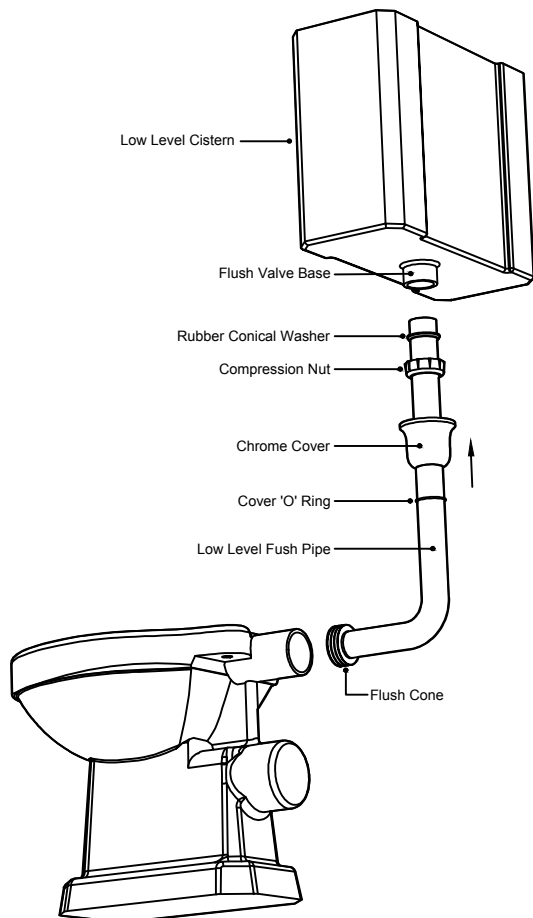
Water Temperature: 2°C - 45°C
Water Pressure: 0.2 Bar to 8 Bar

FLUSH VALVE SPECIFICATIONS

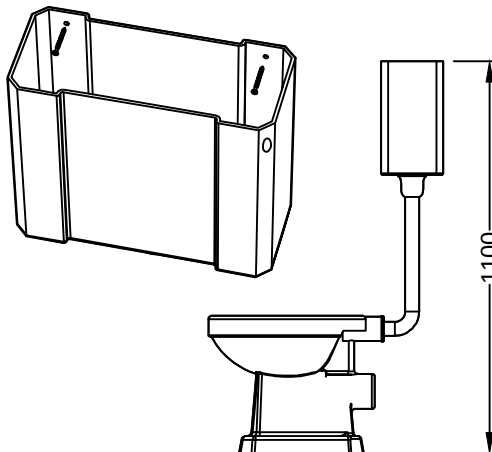
Full Flush: 6L

ASSEMBLY DIAGRAM

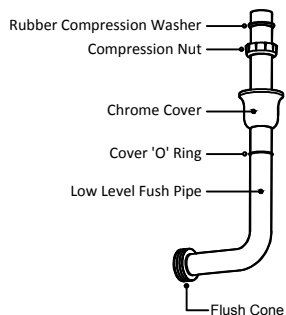
Ensure you have all of the parts before proceeding.



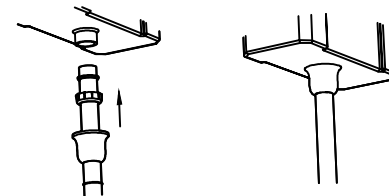
ASSEMBLY INSTRUCTIONS



1. Mount the Cistern to the wall so that the top of the cistern is 1100mm off the floor. Secure to the wall using fixings suitable for the installation at hand (not supplied).

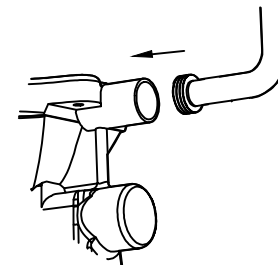


2. Put the parts labelled onto the flush pipe according to the diagram.
(Note: Flush Pipe, 'O' Ring and Chrome Cover are supplied separate to cistern in kit)



3. Insert the flush pipe into the bottom of the cistern and tighten the compression unit. To ensure a water tight seal use PTFE tape.

Move the cover over the compression fitting and move the 'O' Ring so it stays in position.



4. Insert the flush pipe and flush cone into the inlet hole on the Pan. Ensure the pipe is fitted securely into the Pan. Use a small bead of silicone to hold the cover in place.

MAKING PLUMBING CONNECTIONS

Connect the soil pipe and ensure it is adequately sealed around the Toilet Pan outlet to prevent leakage.

The inlet valve has a threaded connector. It is recommended that this thread is wrapped in PTFE tape before connecting the water supply.

Do not overtighten the supply to the inlet valve as this could damage the inlet valve causing leakage.

After connecting the water supply to the inlet valve check that the inlet valve components do not touch the internal walls of the cistern and the float can move freely up and down.

Check all connections are secure and a soil pipe is fitted before testing the flush.

AFTER CARE

DO NOT introduce caustic chemical substances (e.g. containing chlorine compounds or similar). These can damage the valve components and cause failure.

GUARANTEE & AFTERCARE

When installing or using tools, extra care must be taken to avoid damaging the finish or fitting. To maintain the appearance, please ensure it is cleaned regularly using a clean soft damp cloth only. Abrasive cleaners or detergents must not be used as they may cause surface deterioration.

The company provides a guarantee against faulty material or manufacture excluding serviceable parts, providing they have been installed, cared for and used in accordance with our instructions. **Any misuse will invalidate your guarantee**