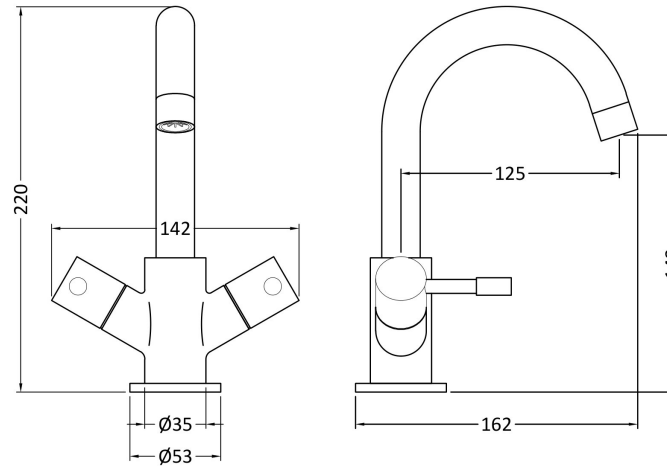


Sales Code: FJ317

Description: Series 2 Econ Mono Swvel Spout With Wast



Product Dimensions

Height (mm):	231
Width (mm):	50
Depth (mm):	158
Length (mm):	
Nett Weight (kg):	0.94

Packaging Dimensions

Height (mm):	55
Width (mm):	160
Depth (mm):	260
Gross Weight (kg):	0.94

Packaging Data

Box Colour:	White Cardboard Box
Box Qty:	0
Label Size:	0 x 0
Label Colour:	White Label
Label Qty:	0

Outer Box Dimensions (If Applicable)

Height (mm):	300
Width (mm):	270
Depth (mm):	500
Length (mm):	
Gross Weight (kg):	14
Barcode:	5055146185598

Product Details

Country of Origin:	China
Fitting Instruction:	Yes
Product Material:	Brass
Control Type:	Manual
Waste Included:	Waste Included
Waste Type:	Not Applicable
WRAS Approval: No	Approval No: N/A
Valve/Cartridge Type:	1/4 Turn Ceramic Disc
Colour/Finish:	Chrome
Mount Type:	Deck
Operating Pressure (bar):	0.2

Flow Rates: (Litres Per Min)	0.1 bar: 5	0.5 bar: 7	1 bar: 9	2 bar: 12	3 bar: 14
Pipe Size:	15 mm (1/2" Bsp)				
Pipe Centres:	N/A				