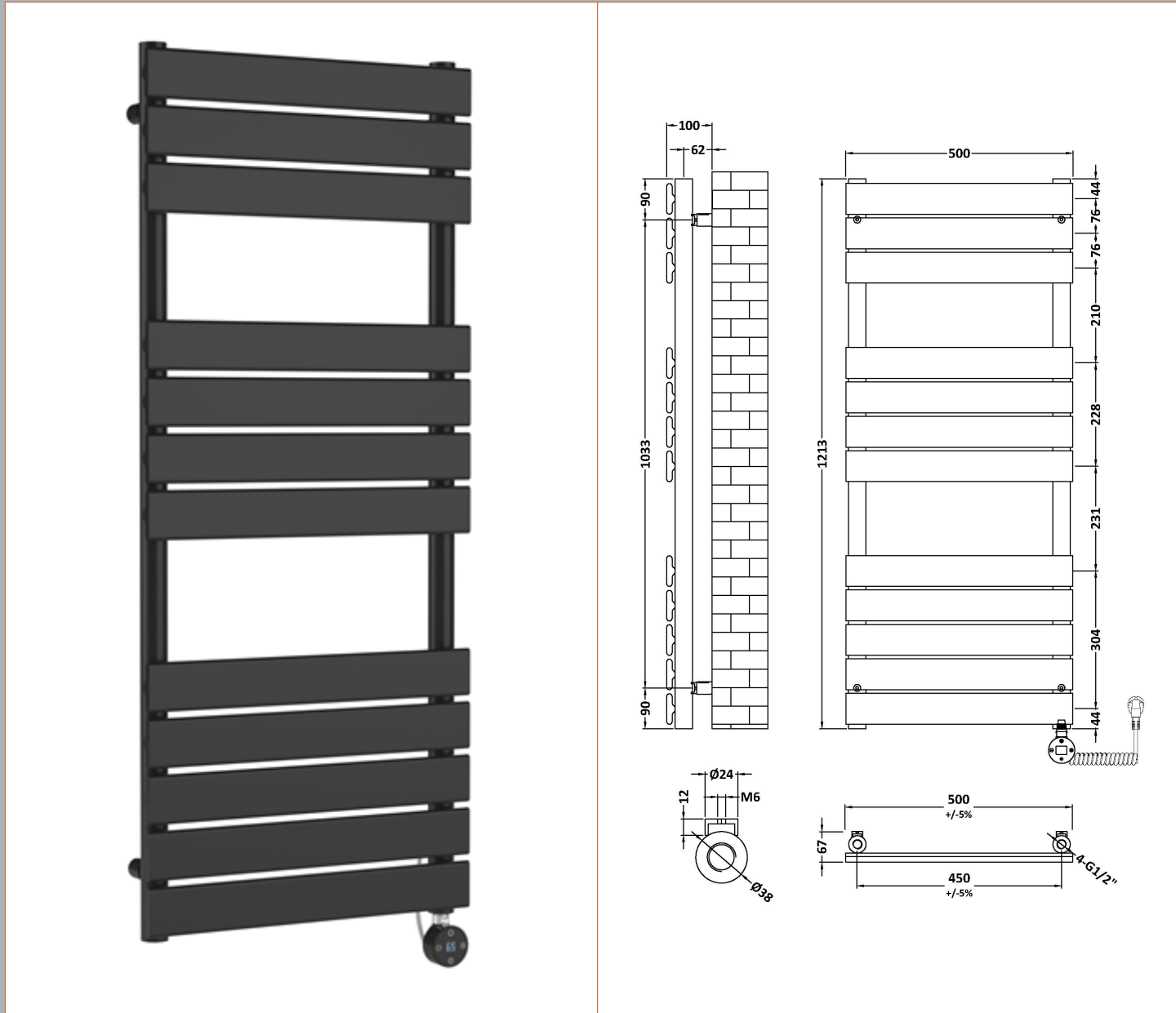


Sales Code: HL159

Description: Electric Flat Towel Rail 12 Bar 1213X500



Product Dimensions

| | |
|-------------------|----|
| Height (mm): | 0 |
| Width (mm): | 0 |
| Depth (mm): | 0 |
| Length (mm): | 0 |
| Nett Weight (kg): | 23 |

Packaging Dimensions

| | |
|--------------------|------|
| Height (mm): | 1364 |
| Width (mm): | 600 |
| Length (mm): | 105 |
| Gross Weight (kg): | 27 |

Packaging Data

| | |
|---------------|---------------------|
| Box Colour: | Brown Cardboard Box |
| Box Qty: | 0 |
| Label Size: | 0 x 0 |
| Label Colour: | White Label |
| Label Qty: | 0 |

Outer Box Dimensions (If Applicable)

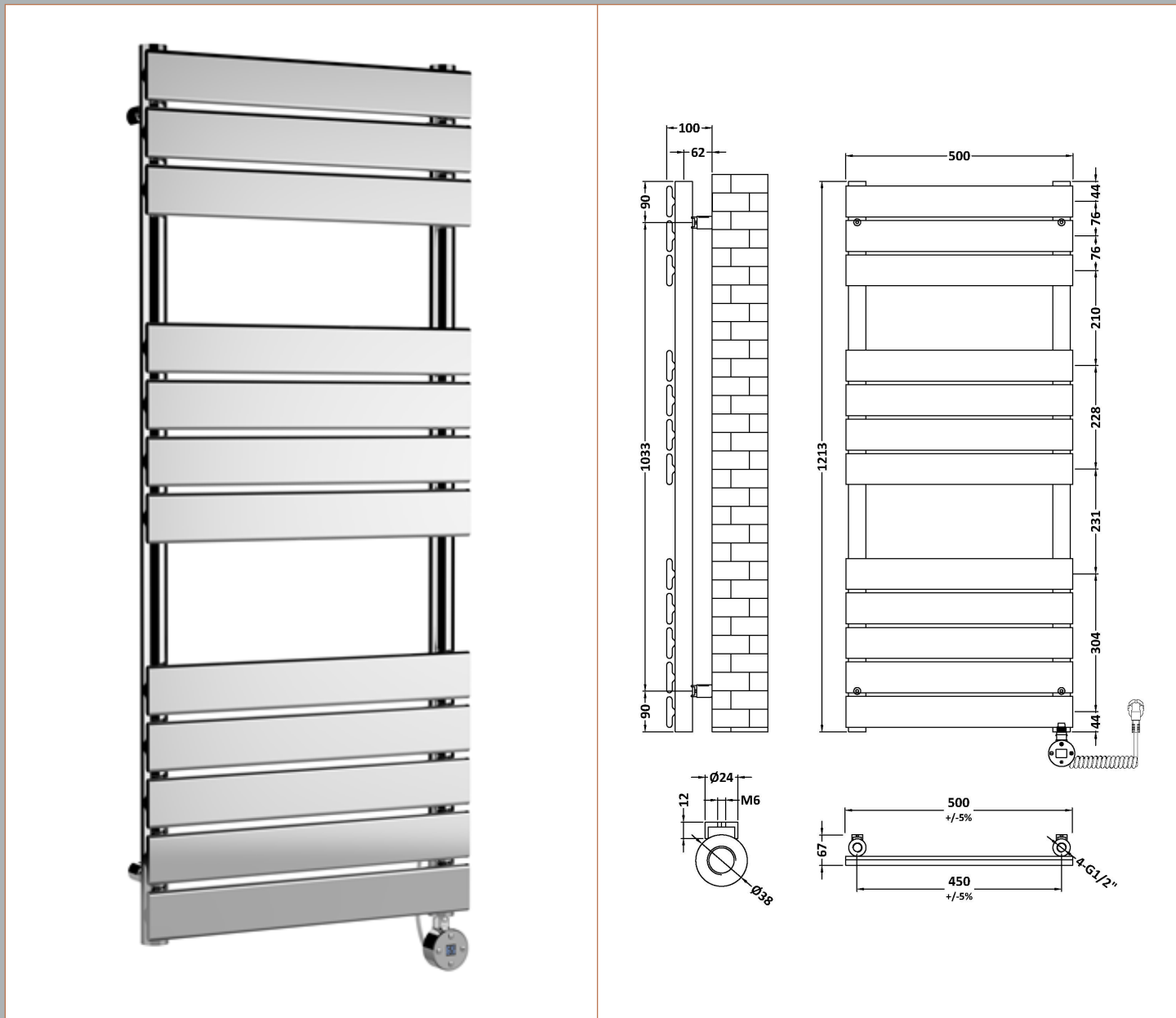
| | |
|--------------------|---------------|
| Height (mm): | |
| Width (mm): | |
| Length (mm): | |
| Gross Weight (kg): | |
| Barcode: | 5056678429259 |

Product Details

| | | | |
|-------------------------------------|-------------------------|-------------|-------------|
| Country of Origin: | China | | |
| Fitting Instruction: | Yes | | |
| Certification: | CE & UKCA: Yes | RoHS: Yes | WEEE: Yes |
| Colour/Finish: | Anthracite | | |
| RAL No: | Ral 7016 | | |
| Product Material: | Steel | | |
| Heat Element Wattage: | 600 W | | |
| Heating Element Wattage Compatible: | Yes | | |
| BTU Outputs: | 30°C / 1102 | 50°C / 2081 | 60°C / 2603 |
| Thermal Outputs: (Watts) | 30°C / 323 | 50°C / 610 | 60°C / 763 |
| Pipe Centres - If Vertical: | 450 mm | | |
| Pipe Centres - If Horizontal: | N/A | | |
| Max Projection: | 110 mm | | |
| Tube Diameter: | 70 | | |
| Packaging Volume (L): | | | |
| Wall to Centre of Tappings: | >200 | | |
| Floor to Centre of Tappings: | 62-72mm | | |
| Dual Fuel: | No | | |
| IP Rating: | Ip64 Ingress Protection | | |

Sales Code: HL359

Description: Electric Flat Towel Rail 12 Bar 1213X500



Product Dimensions

| | |
|-------------------|----|
| Height (mm): | 0 |
| Width (mm): | 0 |
| Depth (mm): | 0 |
| Length (mm): | 0 |
| Nett Weight (kg): | 23 |

Packaging Dimensions

| | |
|--------------------|------|
| Height (mm): | 1364 |
| Width (mm): | 600 |
| Length (mm): | 105 |
| Gross Weight (kg): | 27 |

Packaging Data

| | |
|---------------|---------------------|
| Box Colour: | Brown Cardboard Box |
| Box Qty: | 0 |
| Label Size: | 0 x 0 |
| Label Colour: | White Label |
| Label Qty: | 0 |

Outer Box Dimensions (If Applicable)

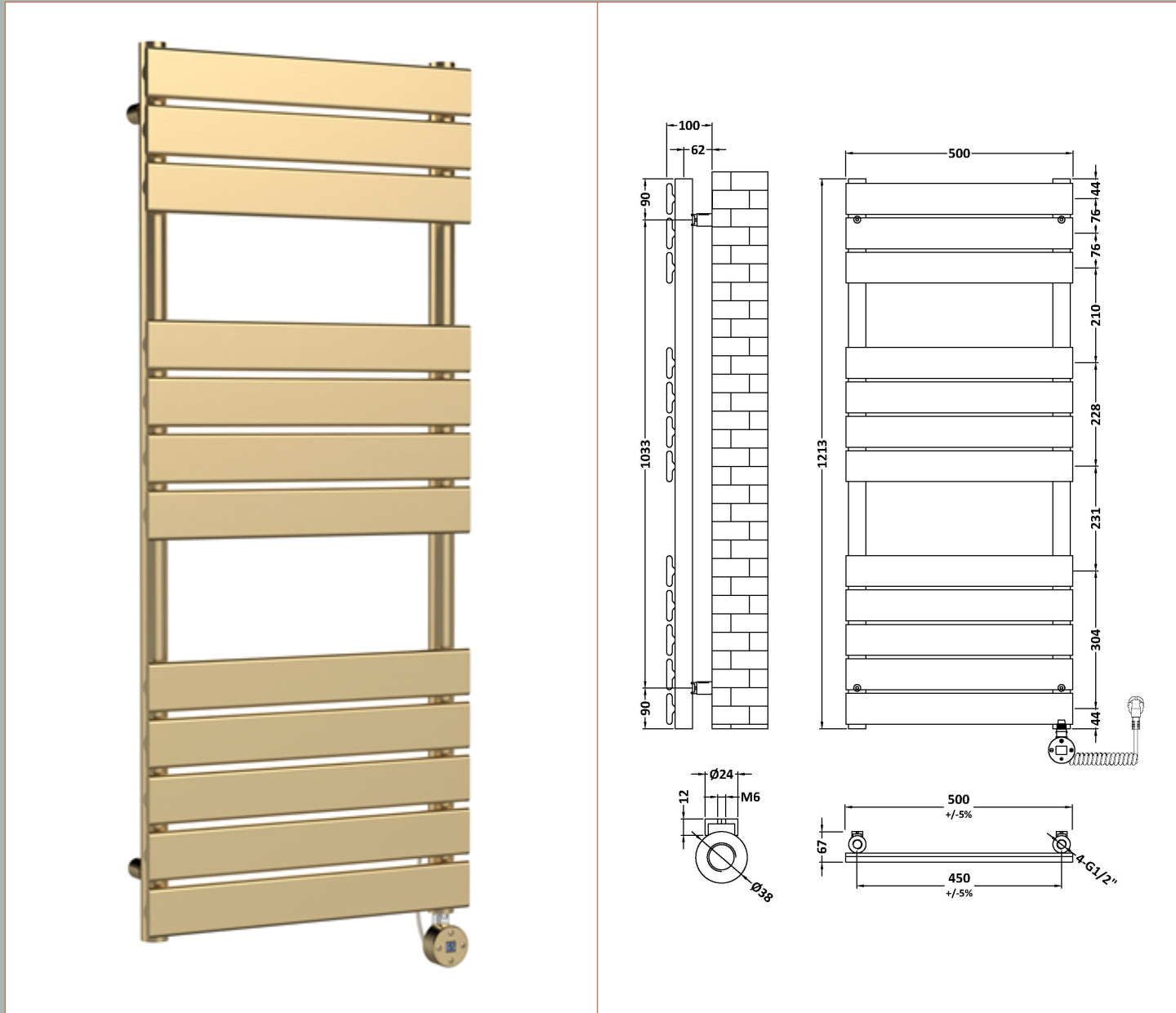
| | |
|--------------------|---------------|
| Height (mm): | |
| Width (mm): | |
| Length (mm): | |
| Gross Weight (kg): | |
| Barcode: | 5056462604046 |

Product Details

| | | | |
|-------------------------------------|-------------------------|-------------|-------------|
| Country of Origin: | China | | |
| Fitting Instruction: | Yes | | |
| Certification: | CE & UKCA: Yes | RoHS: Yes | WEEE: Yes |
| Colour/Finish: | Chrome | | |
| RAL No: | N/A | | |
| Product Material: | Steel | | |
| Heat Element Wattage: | 600 W | | |
| Heating Element Wattage Compatible: | Yes | | |
| BTU Outputs: | 30°C / 788 | 50°C / 1484 | 60°C / 1859 |
| Thermal Outputs: (Watts) | 30°C / 231 | 50°C / 435 | 60°C / 545 |
| Pipe Centres - If Vertical: | 450 mm | | |
| Pipe Centres - If Horizontal: | N/A | | |
| Max Projection: | 110 mm | | |
| Tube Diameter: | 70 | | |
| Packaging Volume (L): | | | |
| Wall to Centre of Tappings: | >200 | | |
| Floor to Centre of Tappings: | 62-72mm | | |
| Dual Fuel: | No | | |
| IP Rating: | Ip64 Ingress Protection | | |

Sales Code: HL859

Description: Electric Flat Towel Rail 12 Bar 1213X500



Product Dimensions

| | |
|-------------------|----|
| Height (mm): | 0 |
| Width (mm): | 0 |
| Depth (mm): | 0 |
| Length (mm): | 0 |
| Nett Weight (kg): | 23 |

Packaging Dimensions

| | |
|--------------------|------|
| Height (mm): | 1364 |
| Width (mm): | 600 |
| Length (mm): | 105 |
| Gross Weight (kg): | 27 |

Packaging Data

| | |
|---------------|---------------------|
| Box Colour: | Brown Cardboard Box |
| Box Qty: | 0 |
| Label Size: | 0 x 0 |
| Label Colour: | White Label |
| Label Qty: | 0 |

Outer Box Dimensions (If Applicable)

| | |
|--------------------|---------------|
| Height (mm): | |
| Width (mm): | |
| Length (mm): | |
| Gross Weight (kg): | |
| Barcode: | 5056678429242 |

Product Details

| | | | |
|-------------------------------------|-------------------------|-------------|-------------|
| Country of Origin: | China | | |
| Fitting Instruction: | Yes | | |
| Certification: | CE & UKCA: Yes | RoHS: Yes | WEEE: Yes |
| Colour/Finish: | Brushed Brass | | |
| RAL No: | N/A | | |
| Product Material: | Steel | | |
| Heat Element Wattage: | 600 W | | |
| Heating Element Wattage Compatible: | Yes | | |
| BTU Outputs: | 30°C / 788 | 50°C / 1484 | 60°C / 1859 |
| Thermal Outputs: (Watts) | 30°C / 231 | 50°C / 435 | 60°C / 545 |
| Pipe Centres - If Vertical: | 450 mm | | |
| Pipe Centres - If Horizontal: | N/A | | |
| Max Projection: | 110 mm | | |
| Tube Diameter: | 70 | | |
| Packaging Volume (L): | | | |
| Wall to Centre of Tappings: | >200 | | |
| Floor to Centre of Tappings: | 62-72mm | | |
| Dual Fuel: | No | | |
| IP Rating: | Ip64 Ingress Protection | | |