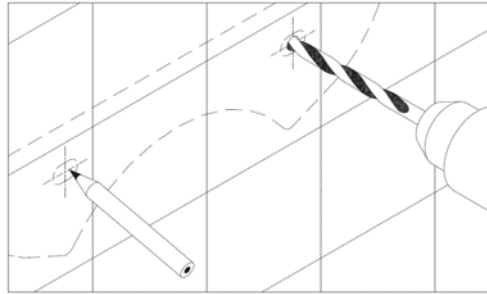
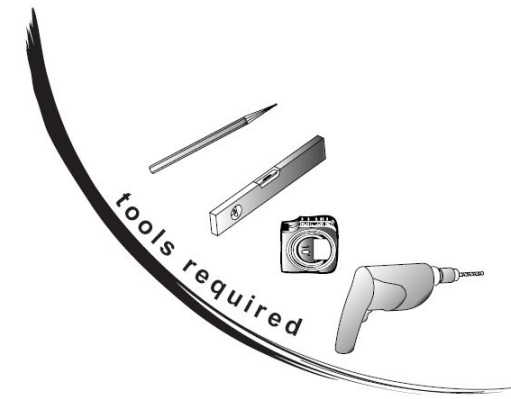
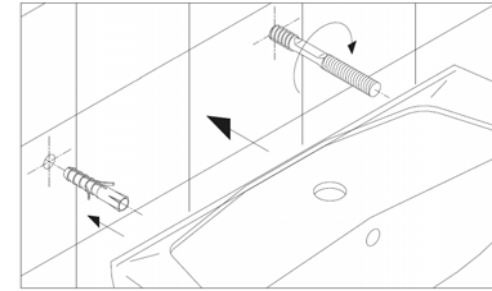


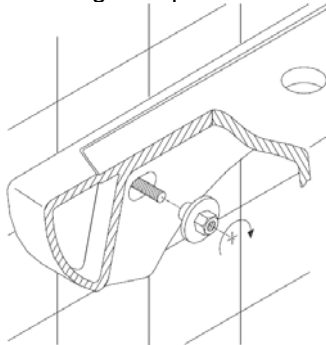
# Washbasin Fixing to Wall



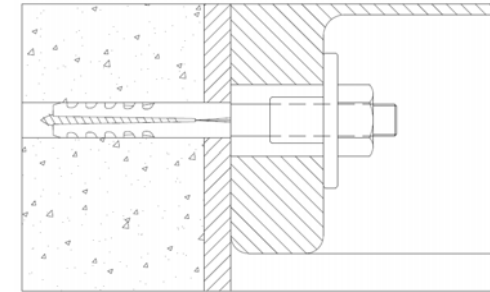
1. Use pencil to mark desired fixing location, using the holes in the washbasin as a guide. Check wall plug dimension and use corresponding bit size to drill as required, ensure the basin is true using the spirit level before drilling.



2. Insert plugs in to both holes. Fix bolts into plugs.



3. Offer basin up to bolts, fit nylon spacer and tighten nut.  
Please Note: On some fixings the nut maybe incorporated into the spacer.



4. Secure basin to the wall.