

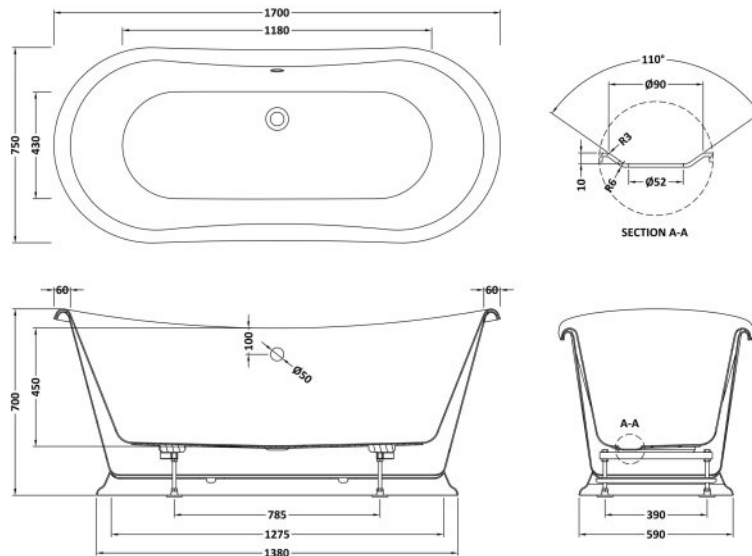
B A Y S W A T E R

London W.2

CODE: BAYB117

DESCRIPTION: 1700 Freestanding Boat Bath

CATEGORY: Baths



PRODUCT DIMENSIONS

| Length (mm) | Width (mm) | Height (mm) | Nett Wgt Kg |
|-------------|------------|-------------|-------------|
| 1700 | 750 | 700 | 41.5 |

PACKAGING DIMENSIONS

| Length (mm) | Width (mm) | Height (mm) | Gross Wgt Kg |
|-------------|------------|-------------|--------------|
| 1860 | 800 | 1200 | 42 |

PACKAGING DATA

| | | | |
|------------|-------------------------|--------------|-------------|
| Box Colour | Polystyrene Moulded Box | | |
| Box Qty | 1 | Label Colour | White Label |
| Label Size | 100 X 50 | Label Qty | 2 |

OUTER BOX DIMENSIONS (If Applicable)

| Length (mm) | Width (mm) | Height (mm) | Gross Wgt Kg |
|-------------|---------------|-------------|--------------|
| | | | |
| Barcode | 5056462620916 | | |

PRODUCT DETAILS

| | | | | | | |
|---------------------|--------------------|----------------------|--------------------|-----|----|-----|
| Country of Origin | Hong Kong | Certification | FSC | N/A | CE | N/A |
| Fitting Instruction | No | Material Colour Ref' | European White | | | |
| Product Material | Acrylic | Material Thickness | 20mm | | | |
| Volume (Ltr) | 200L | Displaced Capacity | 130L | | | |
| Leg Set Inc' | Legset Included | Waste Inc' | Waste Not Included | | | |
| Drilled/Undrilled | Undrilled For Taps | Includes Grips | No Grips Supplied | | | |
| Embossed | No | No of Tapholes | None | | | |
| Anti-Slip | No | | | | | |