

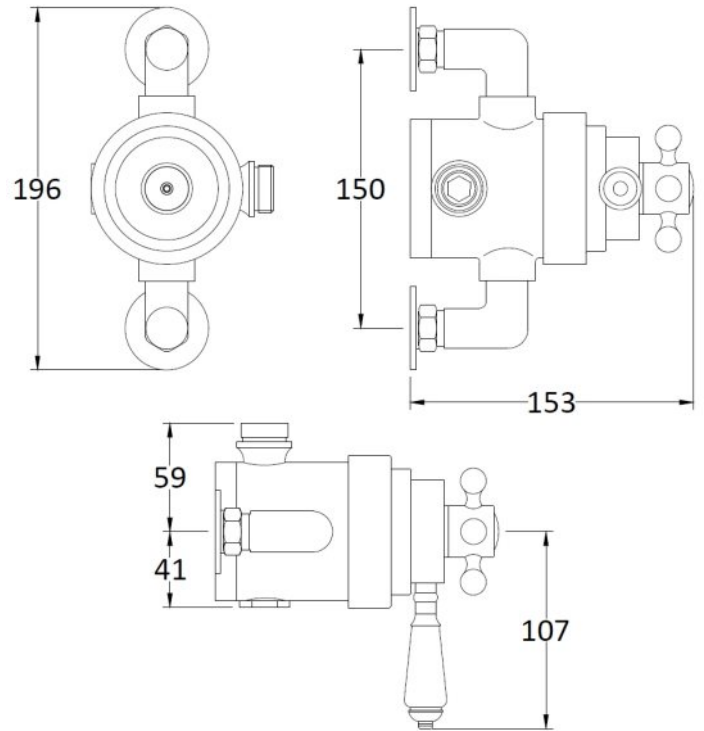
B A Y S W A T E R

London W.2

CODE: BAYS191

DESCRIPTION: Dual Thermostatic Exposed Valve

CATEGORY: Showers



| PRODUCT DIMENSIONS | | | | |
|--------------------|------------|-------------|------------|-------------|
| Length(mm) | Width (mm) | Height (mm) | Depth (mm) | Nett Wgt Kg |
| | 196 | 166 | 153 | 3.44 |

| PACKAGING DIMENSIONS | | | |
|----------------------|------------|-------------|--------------|
| Depth (mm) | Width (mm) | Height (mm) | Gross Wgt Kg |
| 240 | 240 | 185 | 3.44 |

| PACKAGING DATA | | | |
|----------------|---------------------|--------------|-------------|
| Box Colour | White Cardboard Box | | |
| Box Qty | 1 | Label Colour | White Label |
| Label Size | 100 x 50 | Label Qty | 2 |

| OUTER BOX DIMENSIONS (If Applicable) | | | | |
|--------------------------------------|---------------|-------------|------------|--------------|
| Length (mm) | Width (mm) | Height (mm) | Depth (mm) | Gross Wgt Kg |
| | 500 | 405 | 265 | 14 |
| Barcode | 5055275889770 | | | |

| PRODUCT DETAILS | |
|--------------------------|-------------------------|
| Country of Origin | United Kingdom |
| Fitting Instruction | Yes |
| Product Material | Brass |
| Mount Type | Surface, Recessed, Wall |
| Outlet Elbow Supplied | No |
| Easy Clean | Not Applicable |
| Head Included | No |
| Handset Included | No |
| Body Jets Included | No |
| No of Body Jets | Not Applicable |
| Operating Pressure (bar) | 0.1 |
| Valve/Cartridge Type | 1/4 Turn |

| | | | | | | | | | | |
|--------------------|------------------|-----|--------------|------|-------|----|-------|----|-------|----|
| Flow Rates (L/min) | 0.1 bar | 5.5 | 0.5 bar | 14.5 | 1 bar | 22 | 2 bar | 30 | 3 bar | 35 |
| TMV2 Approved | No | | Approval No. | N/A | | | | | | |
| TMV3 Approved | No | | Approval No. | N/A | | | | | | |
| WRAS Approved | No | | Approval No. | N/A | | | | | | |
| Head Function | Not Applicable | | | | | | | | | |
| Handset Function | Not Applicable | | | | | | | | | |
| Body Jet Info | Not Applicable | | | | | | | | | |
| Pipe Size | 15 mm (1/2" Bsp) | | | | | | | | | |
| Pipe Centres | 150 mm | | | | | | | | | |
| Colour/Finish | Chrome | | | | | | | | | |
| Hose Included | Not Applicable | | | | | | | | | |