

INSTALLATION PROCEDURE

Wrap PTFE tape around the blanking plugs and fix them to the inlet & outlet of the radiator, tighten them with a spanner

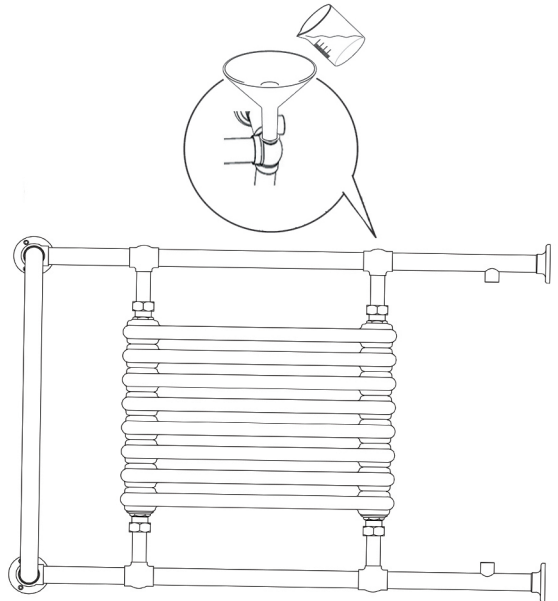
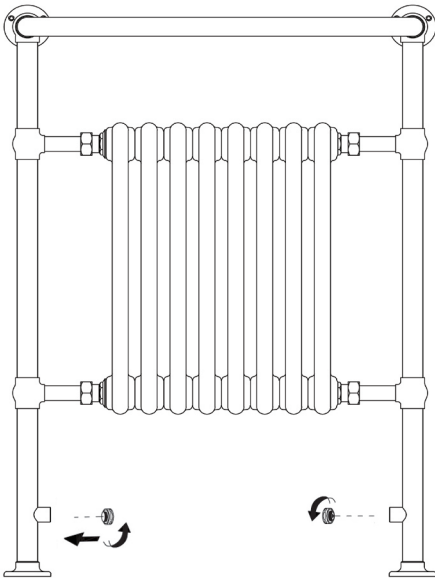


Please ignore the following step if you are installing the radiator onto your central heating system.



Before starting place a dust sheet on the ground to prevent damage and any spillage.

Lay down the radiator as below and fill with a combination of water and a rust inhibitor 90% water 5% inhibitor allow 5% air for expansion.



INSTALLATION PROCEDURE

Option1 Heating Element

Wrap PTFE tape around the blanking plug and element threads insert into the bottom of the radiator and tighten with spanner.



Please make sure the heating element is tightened securely.

N.B please note the electrical wiring must be carried out by a qualified tradesperson.

