

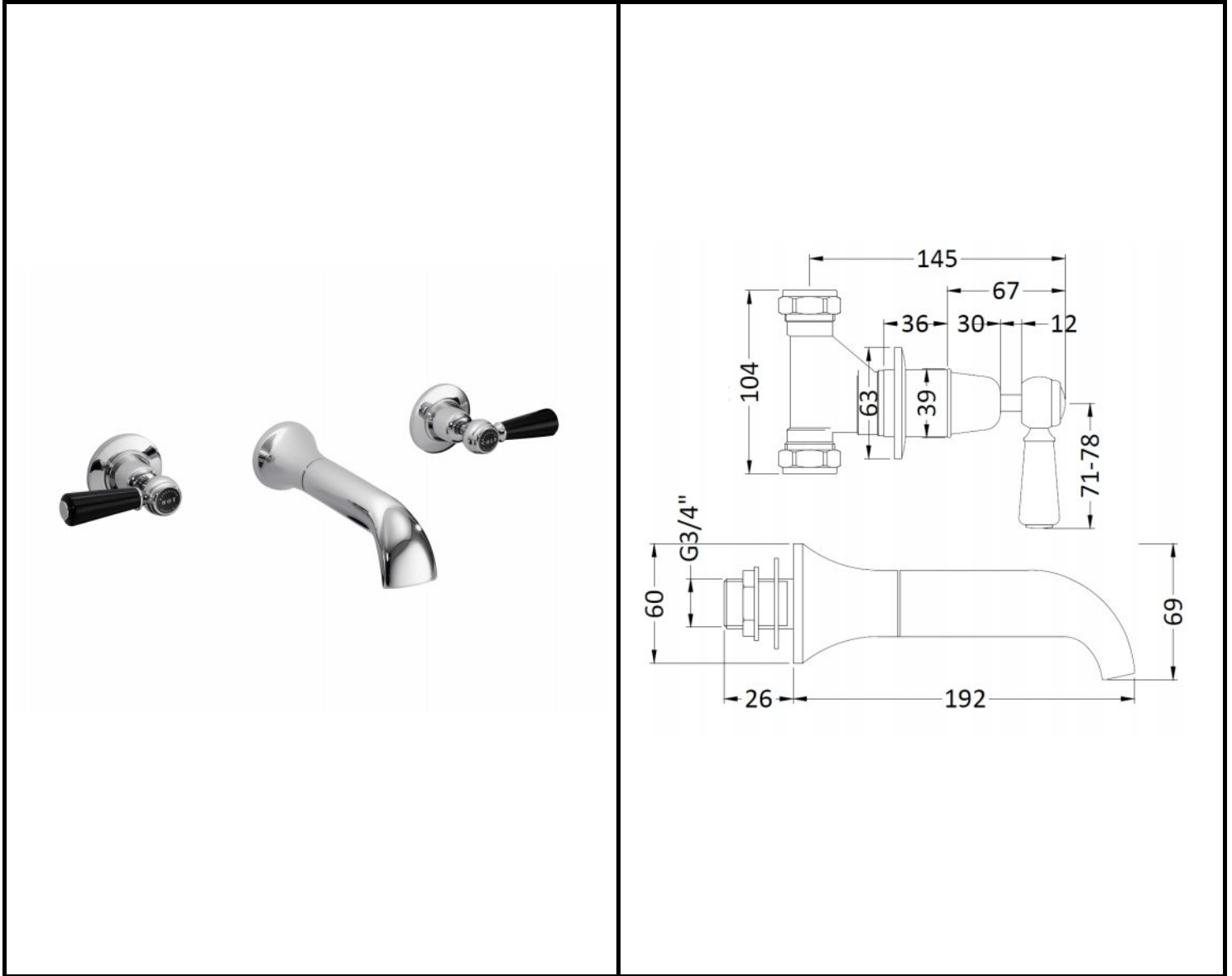
B A Y S W A T E R

London W.2

CODE: BAYT349

DESCRIPTION: 3Th Wall Bath Filler/Lever/Dome Collar

CATEGORY: Taps



PRODUCT DIMENSIONS

Height (mm)	Width (mm)	Depth (mm)	Length (mm)	Nett Wgt Kg
69		218		2.5

PACKAGING DIMENSIONS

Height (mm)	Width (mm)	Depth (mm)	Gross Wgt Kg
270	185	85	2.5

PACKAGING DATA

Box Colour	White Cardboard Box		
Box Qty	1	Label Colour	White Label
Label Size	100 x 50	Label Qty	1

OUTER BOX DIMENSIONS (If Applicable)

Height (mm)	Width (mm)	Depth (mm)	Length (mm)	Gross Wgt Kg
640	450	200		15
Barcode	5055275889480			

PRODUCT DETAILS

Country of Origin	United Kingdom		
Fitting Instruction	Yes		
Product Material	Brass		
Control Type	Manual		
Waste Included	Waste Not Included		
WRAS Approval	No	Approval No.	N/A
Operating Pressure (bar)	0.1		
Valve/Cartridge Type	1/4 Turn Ceramic Disc		

Colour/Finish	Chrome			
Mount Type	Wall			
Waste Type	Not Applicable			
Flow Rates (L/min)	0.1	9.6	0.5	1 28 2 39.5 3 46.8
Pipe Size	22 mm (3/4" Bsp)			
Pipe Centres	N/A			