

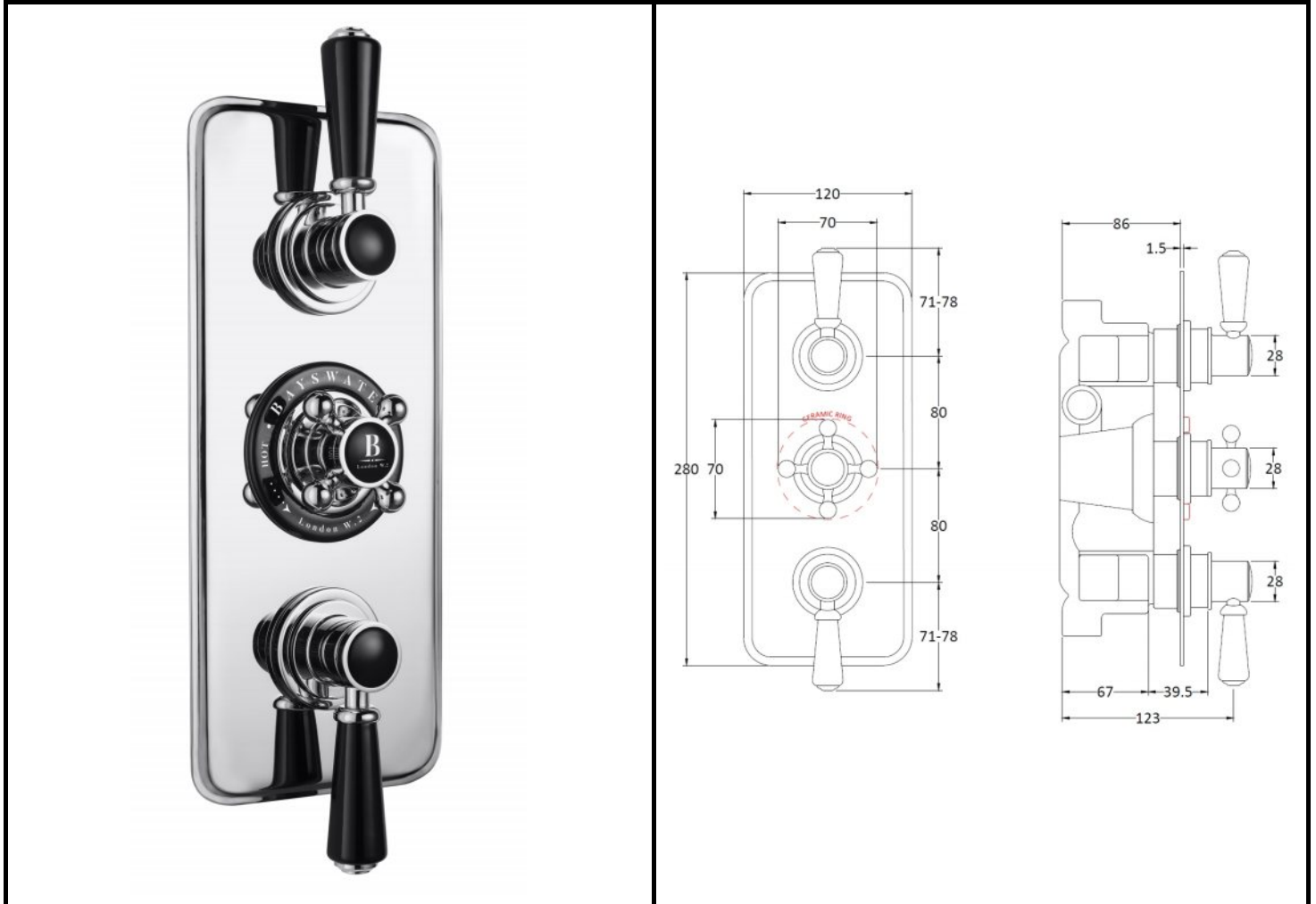
B A Y S W A T E R

London W.2

CODE: BAYS403

DESCRIPTION: Triple Concealed Valve

CATEGORY: Showers



PRODUCT DIMENSIONS

| Length(mm) | Width (mm) | Height (mm) | Depth (mm) | Nett Wgt Kg |
|------------|------------|-------------|------------|-------------|
| | 120 | 320 | 135 | 3.4 |

PACKAGING DIMENSIONS

| Depth (mm) | Width (mm) | Height (mm) | Gross Wgt Kg |
|------------|------------|-------------|--------------|
| 320 | 250 | 110 | 3.4 |

PACKAGING DATA

| | | | |
|------------|---------------------|--------------|-------------|
| Box Colour | White Cardboard Box | | |
| Box Qty | 1 | Label Colour | White Label |
| Label Size | 100 x 50 | Label Qty | 1 |

OUTER BOX DIMENSIONS (If Applicable)

| Length (mm) | Width (mm) | Height (mm) | Depth (mm) | Gross Wgt Kg |
|-------------|---------------|-------------|------------|--------------|
| | | | | |
| Barcode | 5055275889725 | | | |

PRODUCT DETAILS

| | | | | | | | | | | | | | |
|--------------------------|-----------------------|--|--------------------|------------------|-----|--------------|----|---------------|----|-------|----|-------|----|
| Coutry of Origin | United Kingdom | | Flow Rates (L/min) | 0.1 bar | 5.5 | 0.5 bar | 14 | 1 bar | 20 | 2 bar | 29 | 3 bar | 44 |
| Fitting Instruction | Yes | | TMV2 Approved | Yes | | Approval No. | | Bc 1875 00817 | | | | | |
| Product Material | Brass/ABS | | TMV3 Approved | Yes | | Approval No. | | Nsf 1938 1217 | | | | | |
| Mount Type | Wall, Recessed | | WRAS Approved | Yes | | Approval No. | | 1703023 | | | | | |
| Outlet Elbow Supplied | No | | Head Function | Not Applicable | | | | | | | | | |
| Easy Clean | Not Applicable | | Handset Function | Not Applicable | | | | | | | | | |
| Head Included | No | | Body Jet Info | Not Applicable | | | | | | | | | |
| Handset Included | No | | Pipe Size | 15 mm (1/2" Bsp) | | | | | | | | | |
| Body Jets Included | Not Applicable | | Pipe Centres | N/A | | | | | | | | | |
| No of Body Jets | Not Applicable | | Colour/Finish | Chrome | | | | | | | | | |
| Operating Pressure (bar) | 0.1 | | Hose Included | Not Applicable | | | | | | | | | |
| Valve/Cartridge Type | 1/4 Turn Ceramic Disc | | | | | | | | | | | | |