

# PRODUCT DATA SHEET



## PRODUCT CODE

MP48X93F

## RANGE

MPRO

## DESCRIPTION

MPRO Towel Warmer 430x900 Brushed Brass Effect

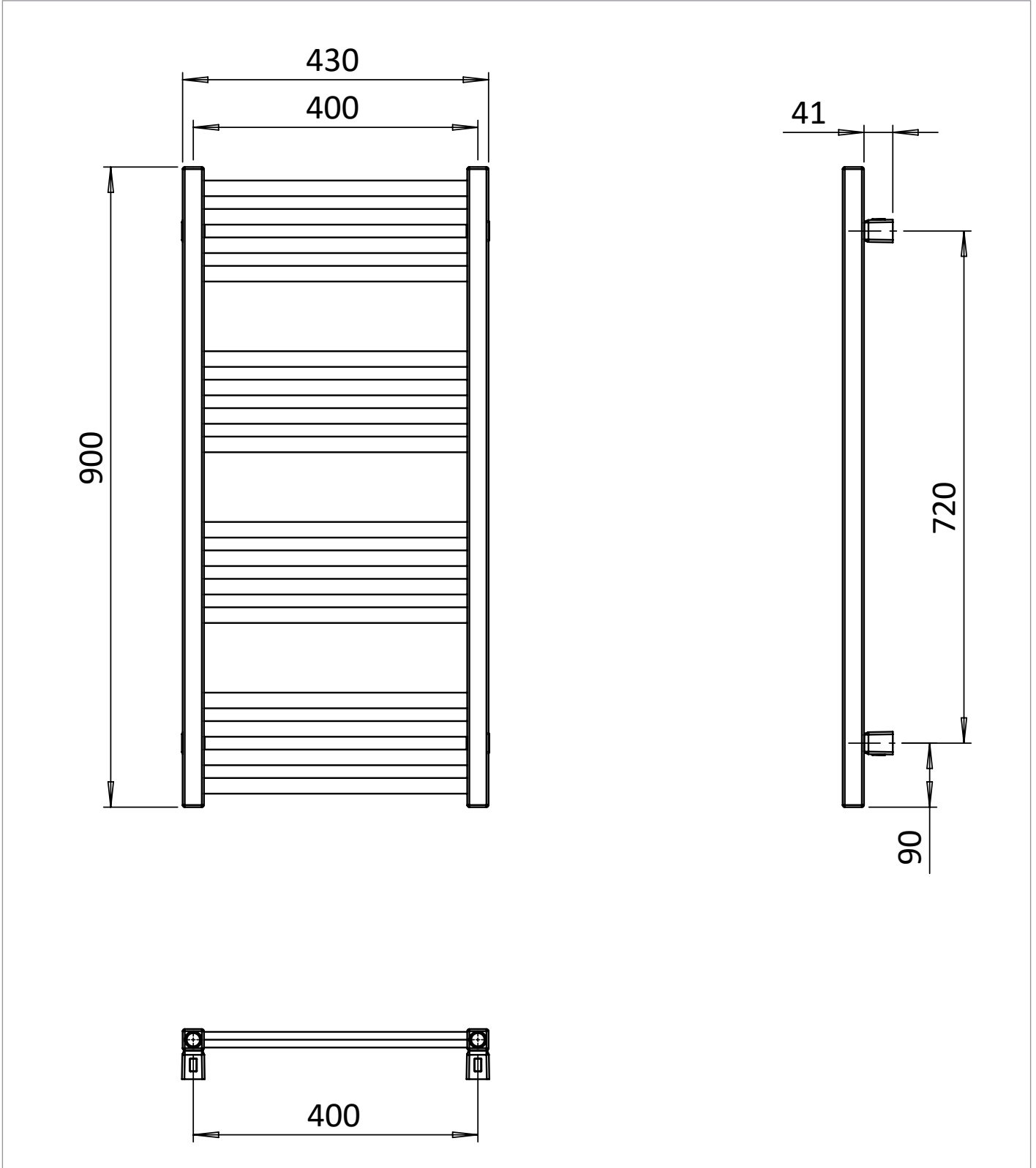
CATEGORY	Heating
COLOUR	Brushed Brass
FINISH APPLICATION	Lacquered
PRODUCT LENGTH MM	41
PRODUCT HEIGHT MM	900
PRODUCT WIDTH MM	400
PRODUCT BOXED WEIGHT (KG)	7.51
INSTALL TYPE	Wall Mounted
STANDARDS	BS EN 442-1:2014

INLET CONNECTIONS THREAD HEATING	1/2" BSP
OUTPUT (WATTS)	342
MAX WORKING TEMPERATURE °C	95
FUEL TYPE	Dual
BAR COUNT	16
OUTPUT (BTU ΔT=50)	1167
CUBIC CAPACITY (L)	3.08
FULLY FILLED WEIGHT (KG)	6.32

## TECHNICAL DIMENSIONS

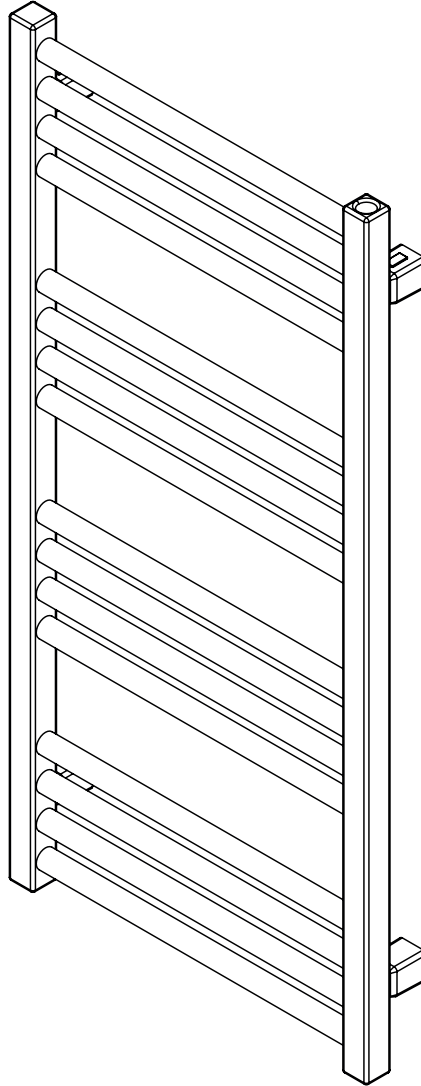
Dimensions in mm unless otherwise specified.

Tolerances (per material type) apply.



## SPARES LIST

Only the parts labelled are available as spares.

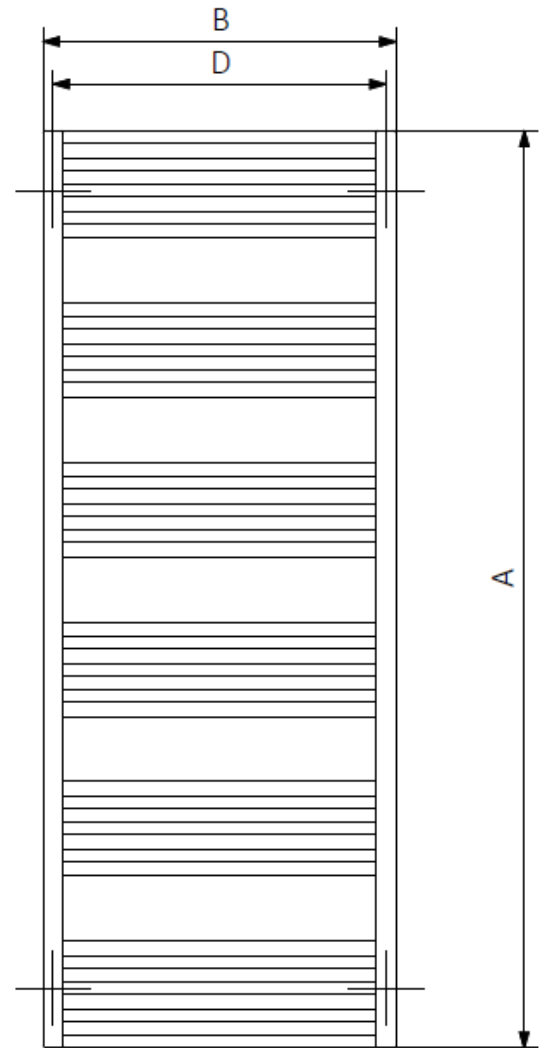
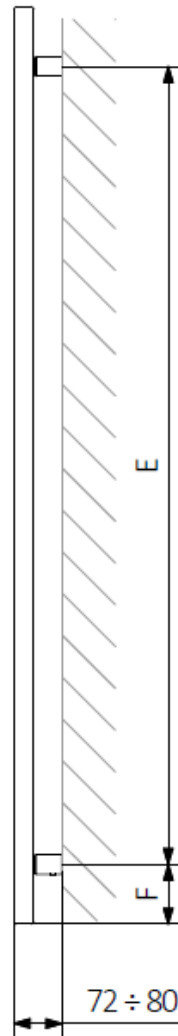
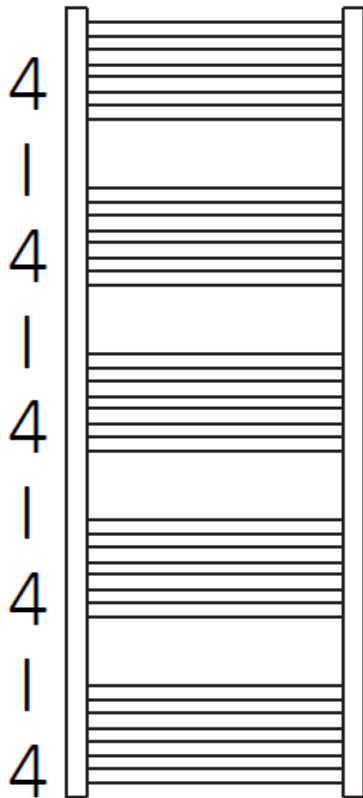
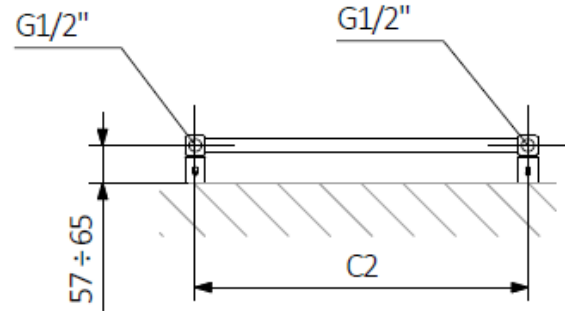


NUMBER	PART CODE	DESCRIPTION
1	WRKMKP001-KRBA	MPRO Rail Fitting Pack Brushed Brass
	WRKMKP001-KS95	MPRO Rail Fitting Pack Matt Black
	WRKMK001-KS96	MPRO Rail Fitting Pack Matt White

Measurements in millimetres mm

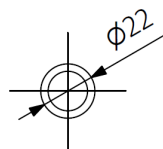
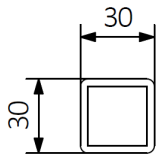
Information updated July 2020

Tel 0345 873 8840



Collector:

Pipe:

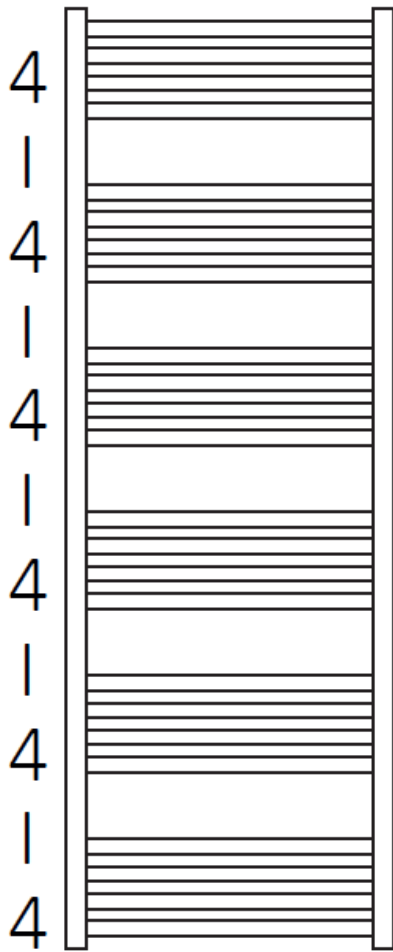


Code	Colour	A	B	C2	D	E	F	Weight	Volume	Output BTU	Output Watts	He
		mm	mm	mm	mm	mm	mm	Kg	dm <sup>3</sup>	D T50°C	D T50°C	Output
MP48X1140MB	Matt White	1140	480	455	50	960	90	8.6	4.17	1607	471	400
MP48X1140MW	Matt Black	1140	480	455	50	960	90	8.6	4.17	1607	471	400
MP48X1140F	Brushed Brass*	1140	480	455	50	960	90	8.6	4.17	1607	471	400

\*The finish is epoxy powder coat

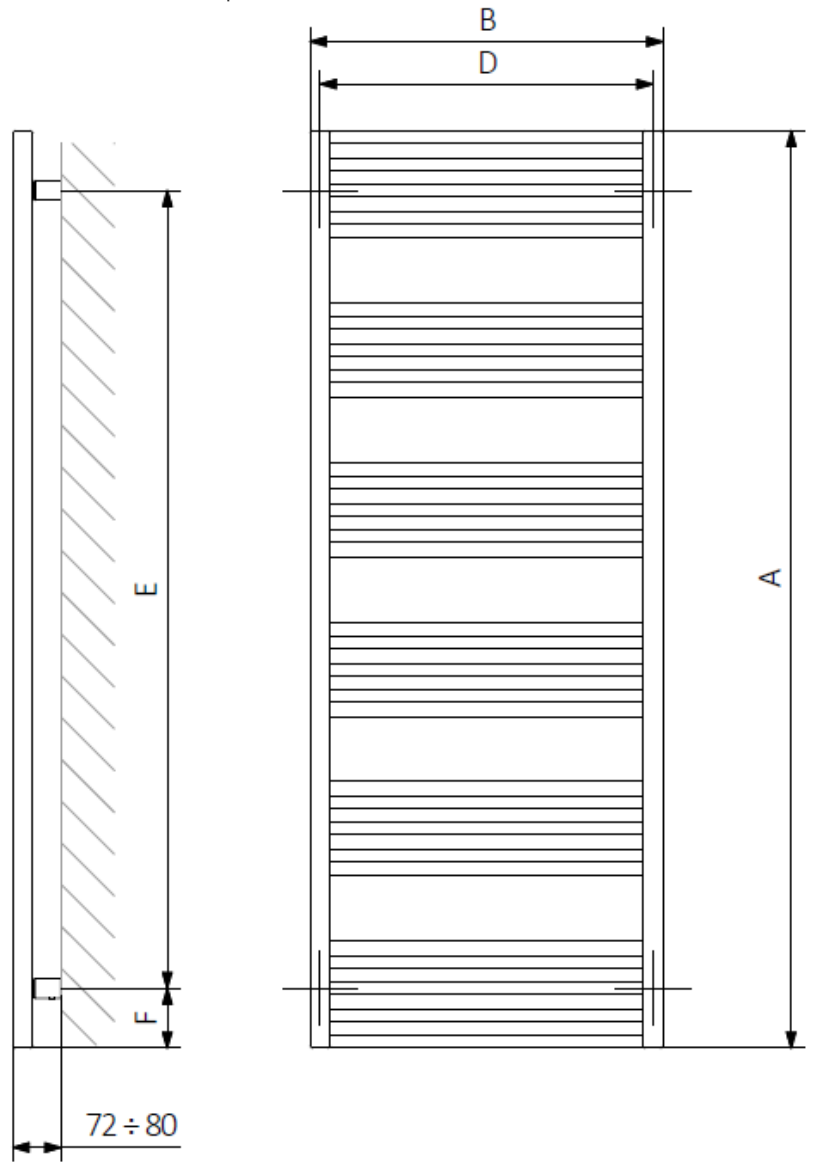
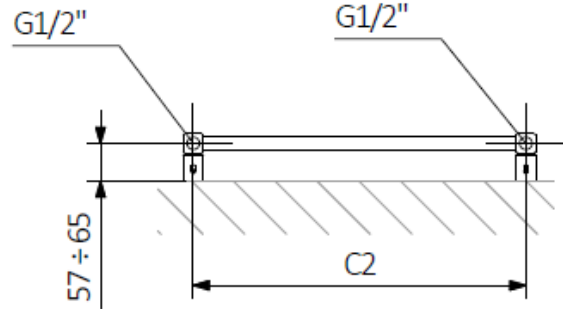
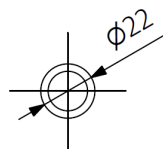
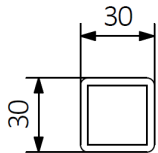
Working pressure: 1000 kPa

Maximum operating temperature: 95°C



Collector:

Pipe:



Code	Colour	A	B	C2	D	E	F	Weight	Volume	Output BTU	Output Watts	He Output
		mm	mm	mm	mm	mm	mm	Kg	dm <sup>3</sup>	D T50°C	D T50°C	
MP48X1380MB	Matt White	1380	480	455	50	1200	90	10.33	5.02	1938	568	600
MP48X1380MW	Matt Black	1380	480	455	50	1200	90	10.33	5.02	1938	568	600
MP48X13800F	Brushed Brass*	1380	480	455	50	1200	90	10.33	5.02	1938	568	600

\*The finish is epoxy powder coat  
Working pressure: 1000 kPa  
Maximum operating temperature: 95°C