

SPARE PARTS

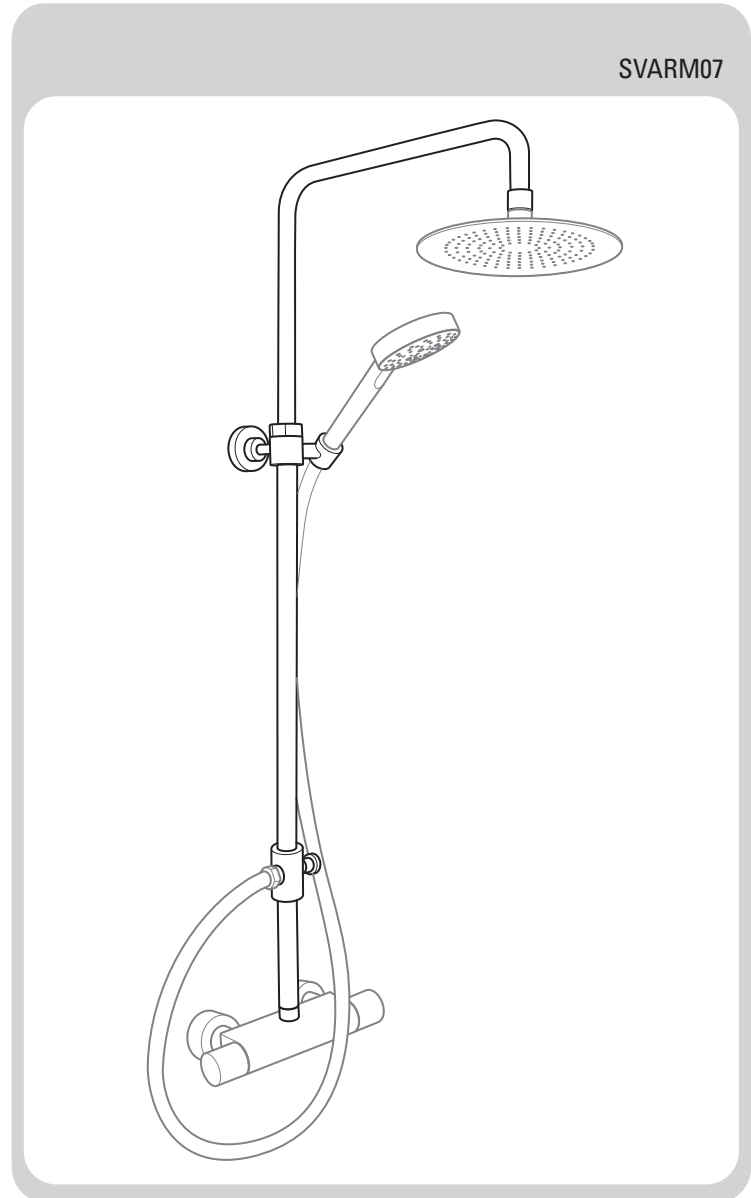
PART	DESCRIPTION	SPARE NUMBER
	<p>Nylon Compression Washer</p>	<p>SP12559</p>
	<p>Wall Fixing Kit (Wall Plugs & Screws)</p>	<p>SP12560</p>



ADJUSTABLE HEAD RIGID RISER RAIL WITH DIVERTER
Installation & aftercare instructions

Please retain for future reference

SVARM07



STORM TOP OUTLET BAR VALVE SHOWN FOR DEMONSTRATION PURPOSES



ROPER RHODES

Customer Services, Roper Rhodes Ltd, Brassmill Lane Trading Estate, Bath, BA1 3JF
TEL: 01225 303 900 | FAX: 01225 448 877
Email: sales@roperrhodes.co.uk | Web: www.roperrhodes.co.uk

