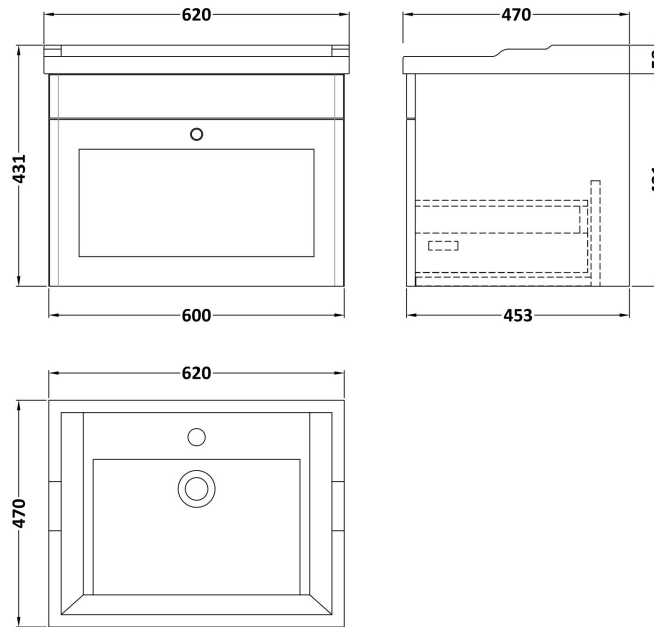


**Sales Code:** CLC194F

**Description:** 600 W/H 1-Drawer Unit & Basin 1Th

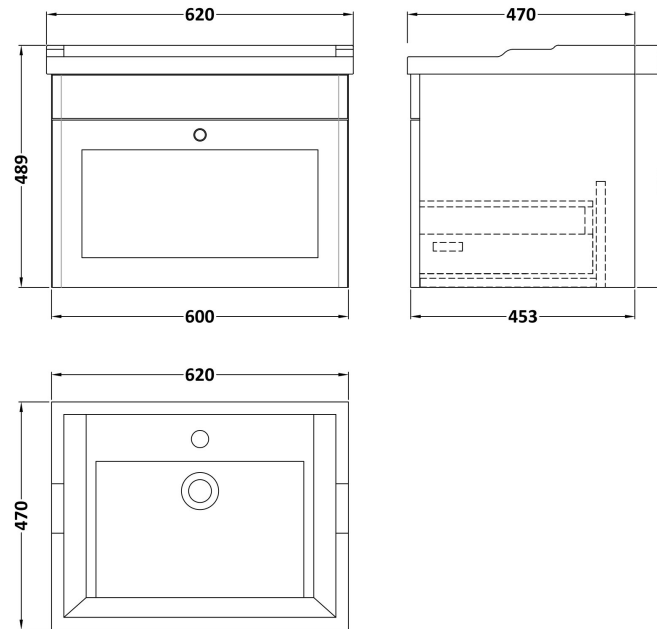


### Packaging Details

Barcode: 5056678416396

Sales Code: CLC194G

Description: 600 W/H 1-Drawer Unit & Basin 3Th

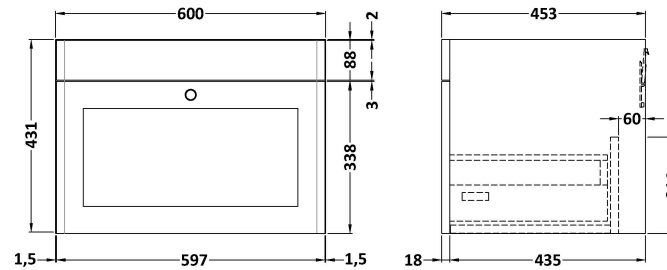


### Packaging Details

Barcode: 5056678416556

Sales Code: CLA194

Description: 600 W/H 1-Drawer Unit (431X600x453)



### Product Dimensions

|                   |     |
|-------------------|-----|
| Height (mm):      | 431 |
| Width (mm):       | 600 |
| Depth (mm):       | 453 |
| Nett Weight (kg): | 19  |

### Packaging Dimensions

|                    |      |
|--------------------|------|
| Height (mm):       | 465  |
| Width (mm):        | 625  |
| Depth (mm):        | 480  |
| Gross Weight (kg): | 19.5 |

### Packaging Data

|               |                     |
|---------------|---------------------|
| Box Colour:   | Brown Cardboard Box |
| Box Qty:      | 0                   |
| Label Size:   | 0 x 0               |
| Label Colour: | White Label         |
| Label Qty:    | 0                   |

### Outer Box Dimensions (If Applicable)

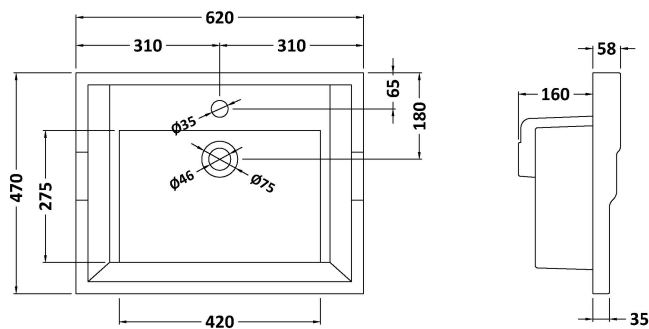
|                    |               |
|--------------------|---------------|
| Height (mm):       |               |
| Width (mm):        |               |
| Depth (mm):        |               |
| Gross Weight (kg): |               |
| Barcode:           | 5056462643267 |

### Product Details

|                          |                                |
|--------------------------|--------------------------------|
| Country of Origin:       | China                          |
| Fitting Instruction:     | Yes                            |
| CE & UKCA:               | N/A                            |
| FSC Certified Materials: | Yes                            |
| Colour:                  | Satin White                    |
| Construction Method:     | Cam & Wood Dowel               |
| Construction Type:       | Rigid                          |
| Cabinet Finish:          | MFC Painted Matt               |
| Fascia Finish:           | Mdf Painted Matt               |
| Cabinet Thickness (mm):  | 18                             |
| Fascia Thickness (mm):   | 18                             |
| Drawer Included:         | Yes                            |
| Drawer Type:             | 80mm High Metal S/C Inc Galler |
| No of Shelves:           | Not Applicable                 |
| Hinge Type:              | Not Applicable                 |
| Hinge Included:          | Not Applicable                 |
| Adjustable Legs:         | No, Not Required               |
| Fixings Included:        | Yes                            |
| Handle Style:            | Traditional                    |
| Waste Shroud:            | Yes                            |
| Handle Included:         | Yes, Supplied                  |
| Handle Type:             | Knob                           |

Sales Code: NLV003

Description: 600mm Traditional Basin 1Th



**Product Dimensions**

|                   |       |
|-------------------|-------|
| Height (mm):      | 0     |
| Width (mm):       | 0     |
| Depth (mm):       | 0     |
| Nett Weight (kg): | 12.45 |

**Packaging Dimensions**

|                    |       |
|--------------------|-------|
| Height (mm):       | 260   |
| Width (mm):        | 640   |
| Depth (mm):        | 500   |
| Gross Weight (kg): | 13.66 |

**Packaging Data**

|               |                               |
|---------------|-------------------------------|
| Box Colour:   | Brown Cardboard Box - Printed |
| Box Qty:      | 0                             |
| Label Size:   | 0 x 0                         |
| Label Colour: | White Label                   |
| Label Qty:    | 0                             |

**Outer Box Dimensions (If Applicable)**

|                    |               |
|--------------------|---------------|
| Height (mm):       |               |
| Width (mm):        |               |
| Depth (mm):        |               |
| Gross Weight (kg): |               |
| Barcode:           | 5055369043392 |

**Product Details**

|                           |                |
|---------------------------|----------------|
| Country of Origin:        | China          |
| Fitting Instruction:      | No             |
| Certification: CE & UKCA: | N/A            |
| WRAS:                     | N/A            |
| WRAS No:                  | N/A            |
| Product Material:         | Vitreous China |
| Fixing Supplied:          | No             |

**Pans/Bidets:** Trap Style: Not Applicable Includes Seat: Not Applicable

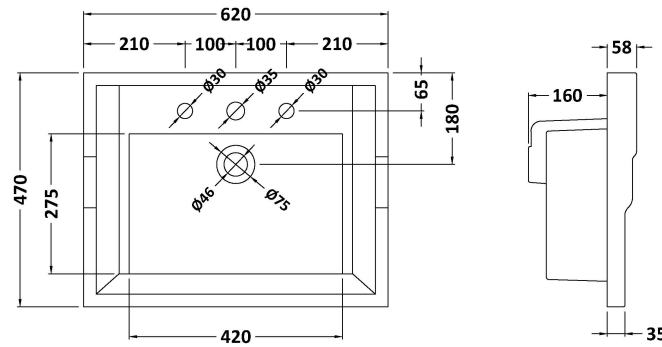
**Seats:** Seat Type: Not Applicable Material: Not Applicable  
Function: Not Applicable Hinge Type: Not Applicable  
Hinge Material: Not Applicable

**Cisterns:** Operating Type: Not Applicable Fittings: Not Applicable  
Lever Type: Not Applicable

**Basins:** Tap Hole: One Taphole Chain Stay Hole: No  
Template: Not Required Waste Type Req: Slotted  
Overflow Inc: Yes Overflow Cover: Yes  
Inner Bowl Depth (mm): 135mm

Sales Code: NLV033

Description: 600mm Traditional Basin 3Th



### Product Dimensions

|                   |      |
|-------------------|------|
| Height (mm):      | 0    |
| Width (mm):       | 0    |
| Depth (mm):       | 0    |
| Nett Weight (kg): | 17.5 |

### Packaging Dimensions

|                    |      |
|--------------------|------|
| Height (mm):       | 260  |
| Width (mm):        | 640  |
| Depth (mm):        | 500  |
| Gross Weight (kg): | 18.5 |

### Packaging Data

|               |                               |
|---------------|-------------------------------|
| Box Colour:   | Brown Cardboard Box - Printed |
| Box Qty:      | 0                             |
| Label Size:   | 0 x 0                         |
| Label Colour: | White Label                   |
| Label Qty:    | 0                             |

### Outer Box Dimensions (If Applicable)

|                    |               |
|--------------------|---------------|
| Height (mm):       |               |
| Width (mm):        |               |
| Depth (mm):        |               |
| Gross Weight (kg): |               |
| Barcode:           | 5055275830024 |

### Product Details

|                           |                |
|---------------------------|----------------|
| Country of Origin:        | China          |
| Fitting Instruction:      | No             |
| Certification: CE & UKCA: | WRAS: WRAS No: |
| Product Material:         | Vitreous China |
| Fixing Supplied:          | No             |

**Pans/Bidets:** Trap Style: Not Applicable Includes Seat: Not Applicable

**Seats:** Seat Type: Not Applicable Material: Not Applicable  
Function: Not Applicable Hinge Type: Not Applicable  
Hinge Material: Not Applicable

**Cisterns:** Operating Type: Not Applicable Fittings: Not Applicable  
Lever Type: Not Applicable

**Basins:** Tap Hole: Three Tapholes Chain Stay Hole: No  
Template: Not Required Waste Type Req: Slotted  
Overflow Inc: Yes Overflow Cover: Yes  
Inner Bowl Depth (mm):