

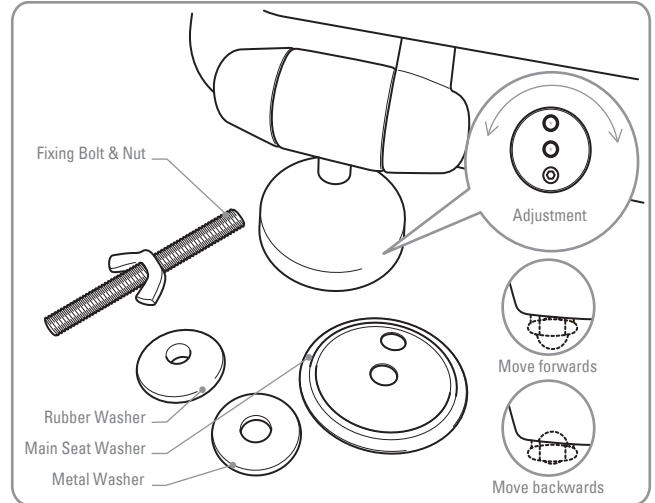


Please read carefully before attempting to fit the seat. Remove the old hinges from the seat by unscrewing the 8 cross screws. Re-fit the new hinges with the screws provided, noting that there is a left and right handed hinge. Before fitting the seat to the pan it is essential that the hinges are adjusted correctly and the locking screws are firmly tightened. Failure to tighten these screws will result in the hinges working loose over a period of time.

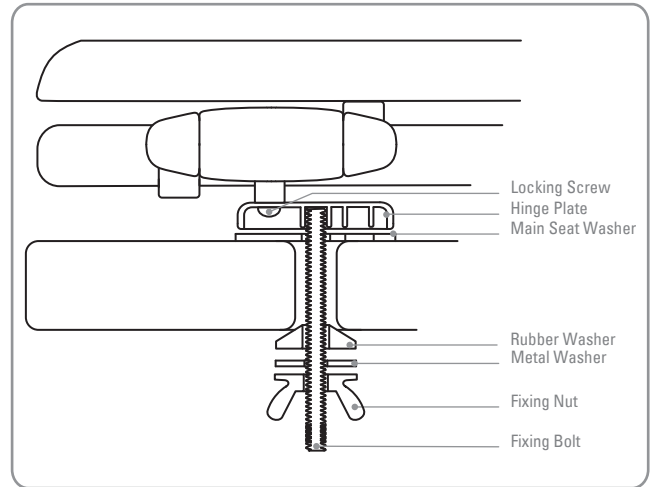
The seat can be adjusted in 3 ways to fit the pan:

- By loosening the locking screw, the hinge plate can be rotated to adjust the distance between the fixing bolts.
 - By locating the fixing bolt into one of the 3 threaded holes in the hinge plate, it is possible to adjust the forward/backward position of the seat.
 - It is possible to get larger adjustment of the forward/backward position by rotating the hinge plates through 180°.
1. Having adjusted the hinge make sure the locking screws are tight.
 2. Place the main seat washers on to the hinge plates, and feed the fixing bolts through the holes in the toilet pan.
 3. Fit the rubber washer, metal washer and fixing nut as shown in the assembly diagram.
 4. Secure the fixing nuts very firmly using a spanner or pliers (not supplied). Care must be taken not to over tighten the the nuts as this could result in damage to the toilet pan.
 5. After a few days use check the nuts are still tight. This is necessary as the rubber washers will compress during the first few days.

PARTS DIAGRAM



ASSEMBLY DIAGRAM



AFTERCARE INSTRUCTIONS



Clean surfaces with a soft damp cloth and mild soap solution



Do not scrub or scour



Do not use abrasive cleaning agents



Do not stand on the lid or ring of your toilet seat