

# Ceiling Mounted Shower Heads

SVHEAD33 and SVHEAD34

Installation & aftercare instructions

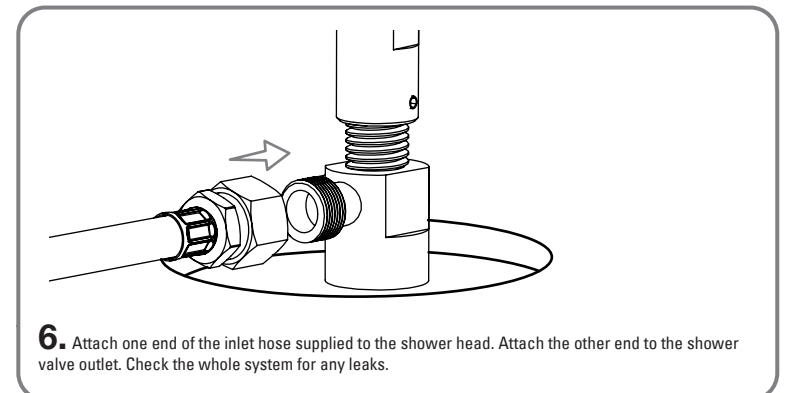
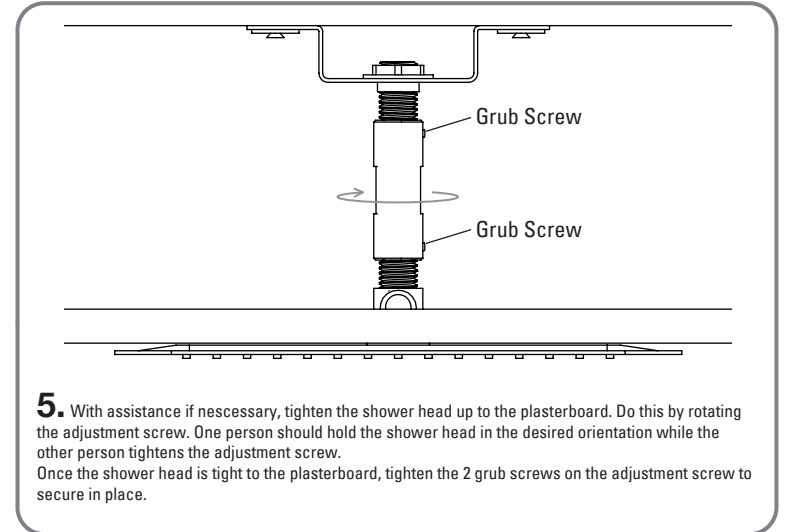
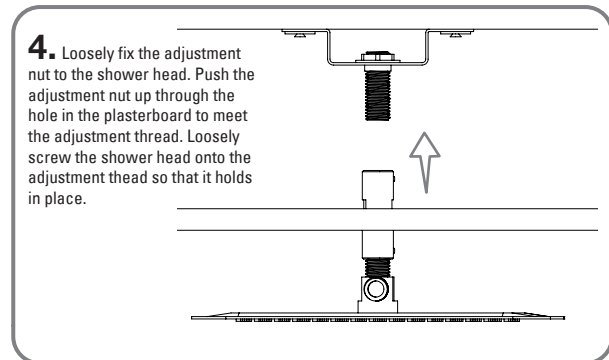
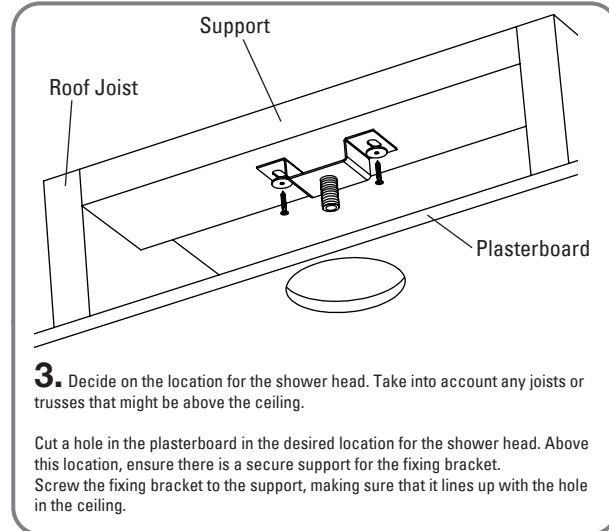
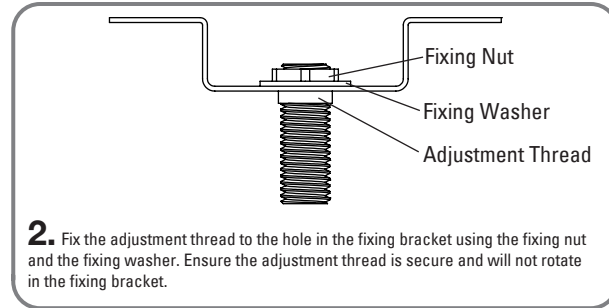
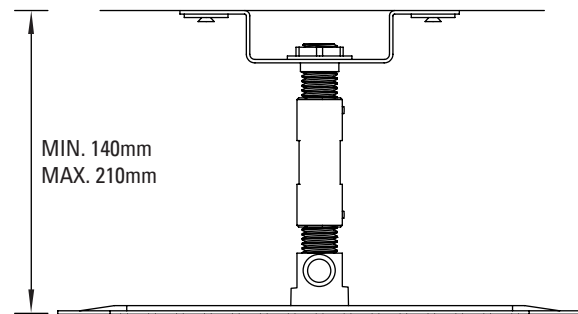
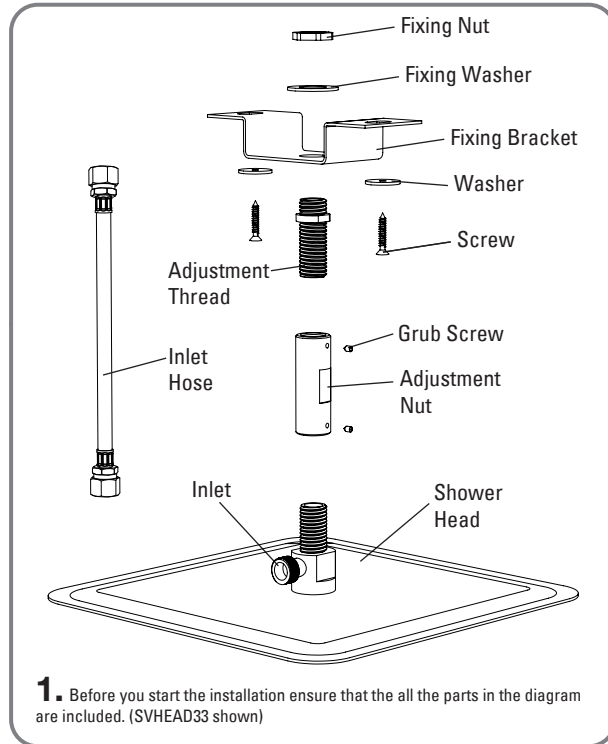
Please retain for future reference

**ROPER RHODES**

## Installation Procedure:

### IMPORTANT

Wear suitable eye protection when drilling. Take care when using power tools near water - the use of a residual current device (RCD) is advised. Beware of hidden cables or pipes.



### CLEANING

Whilst all these items have a high quality durable finish, they should nevertheless be treated with care.

Surfaces should be cleaned using only a soft damp cloth and clean water then dried using a soft cotton cloth.

Bath cleaning products, even non-scratch ones, could damage the finished surface.