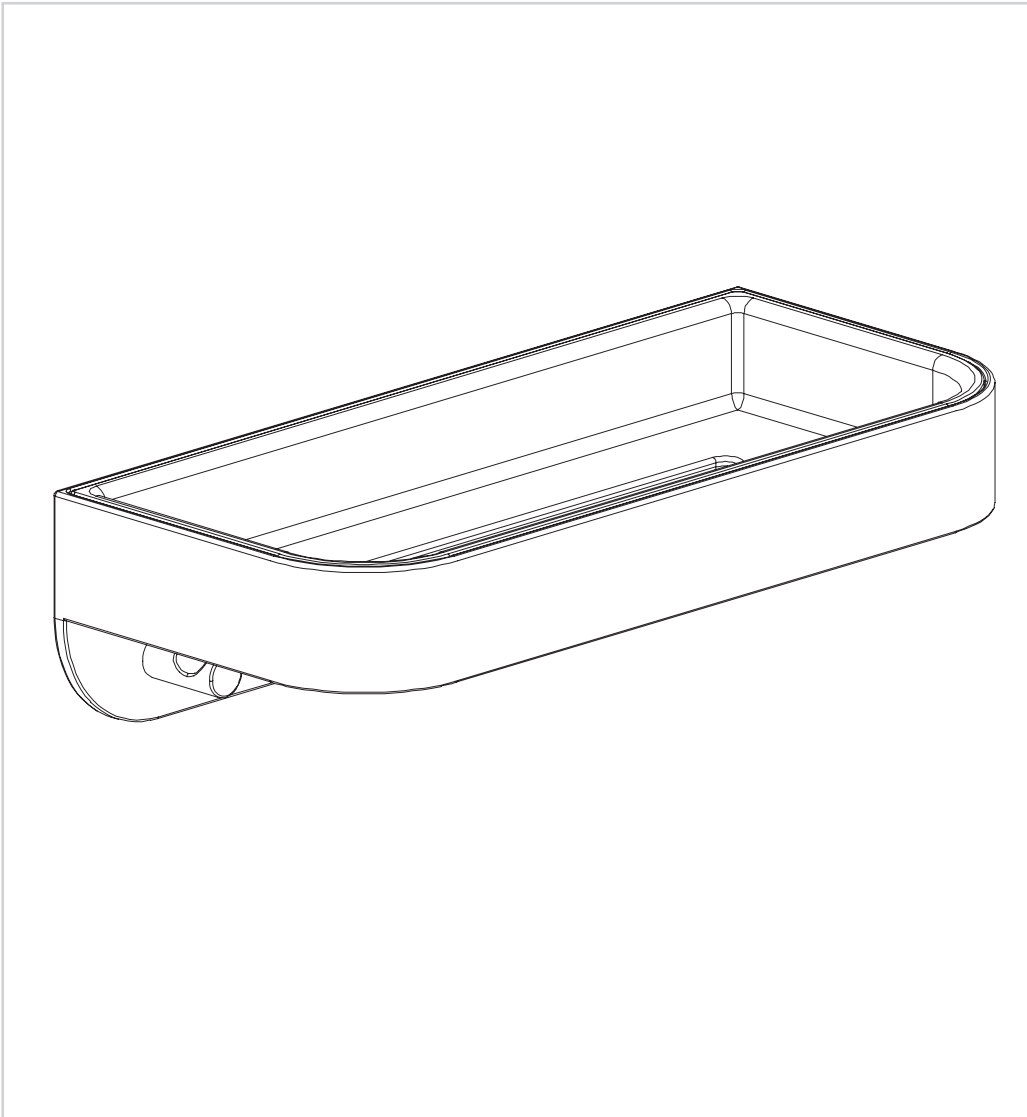


# ACCESSORIES

## SHOWER BASKETS



### PRODUCT CODES:

SB035B C/F/M/V/BZ/T

SB035W C/F/M/V/BZ/T



### IMPORTANT INFORMATION BEFORE YOU START

**Please read carefully and keep this information for further reference.**

Thank you for buying a Crosswater Product. To ensure that it works to its full potential, it needs to be fitted correctly.

Check the contents of the pack carefully before installation.

Bathroom Brands will not be held responsible for any de-fit/re-fit costs where faulty product has been fitted. If any fault is found with materials or workmanship, it must be reported immediately to the manufacturer. Remedial action will be taken, based on information received, on condition that:

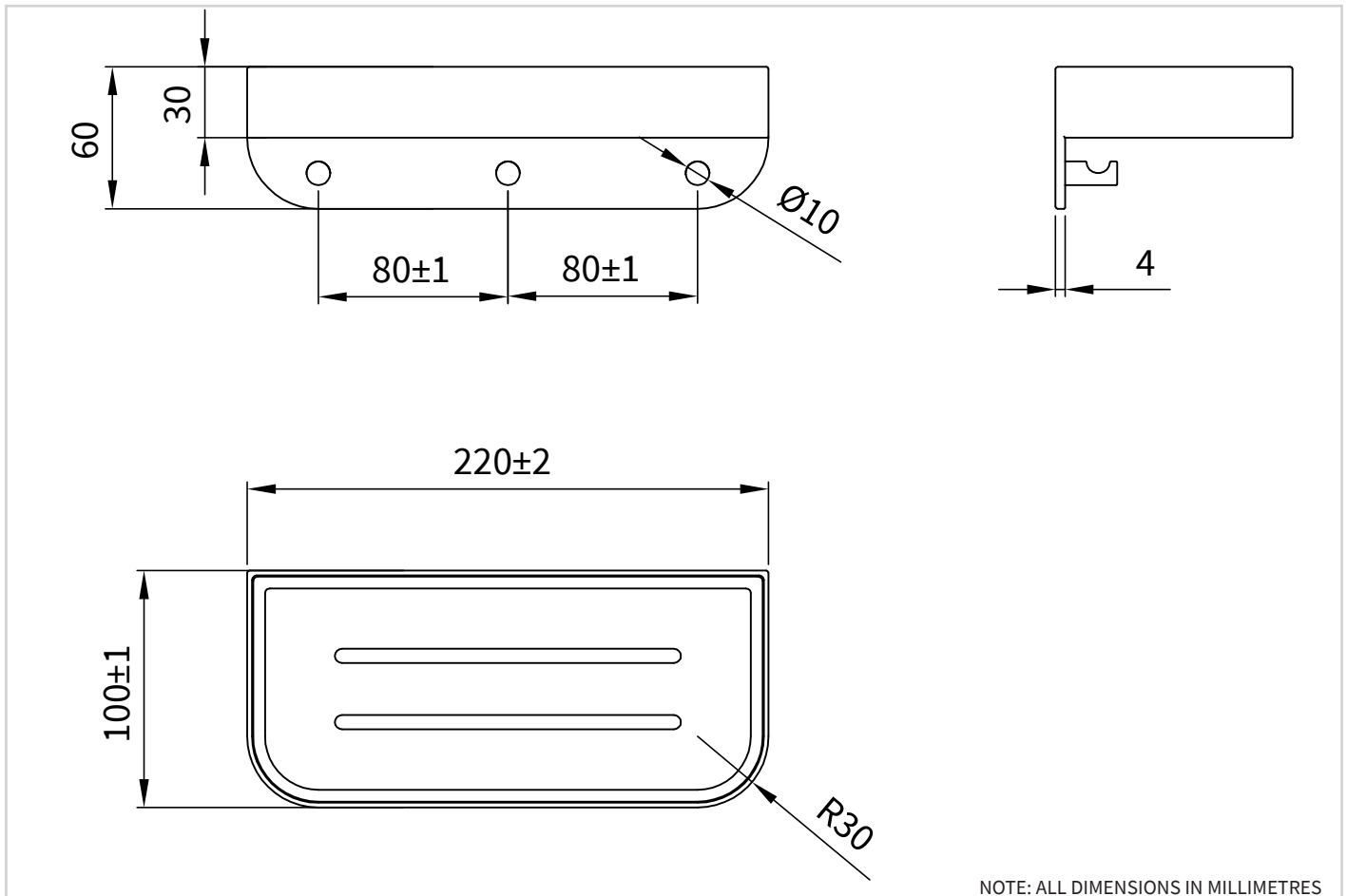
1. Full details are supplied to the manufacturer.
2. The product has not been modified or tampered with;

3. The manufacturer is informed of any damage/shortages prior to installation.

4. The product has not been installed, or attempts have been made to install.

We do not accept responsibility for any problems that may occur through incorrect installation. This product should only be installed by a suitably qualified plumber/installer. Should the installation be completed by a non-qualified person any product guarantee maybe considered invalid. For a claim made under our warranty, written certification of your installer's qualifications may be required.

**DIMENSIONS**



**IMPORTANT INFORMATION**

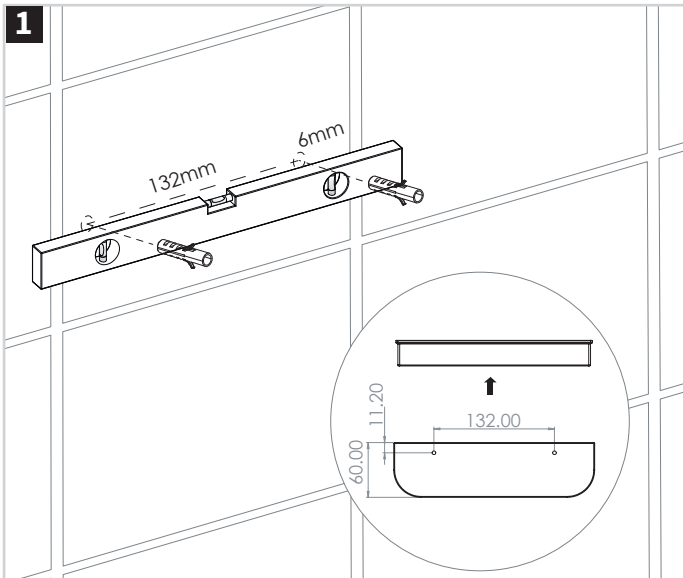
**Please read carefully and keep this information for further reference.**

Please check for any hidden pipes or electrical cables before drilling holes in the floor or walls. When using power tools always follow the manufacturer's user instructions. This installation guide details fitting to a solid wall. If your bathroom has studded/plasterboard walls, please use appropriate plasterboard fixings. Make sure that the wall can take the weight of the products before undertaking the installation.

**Tools Required (not supplied):**

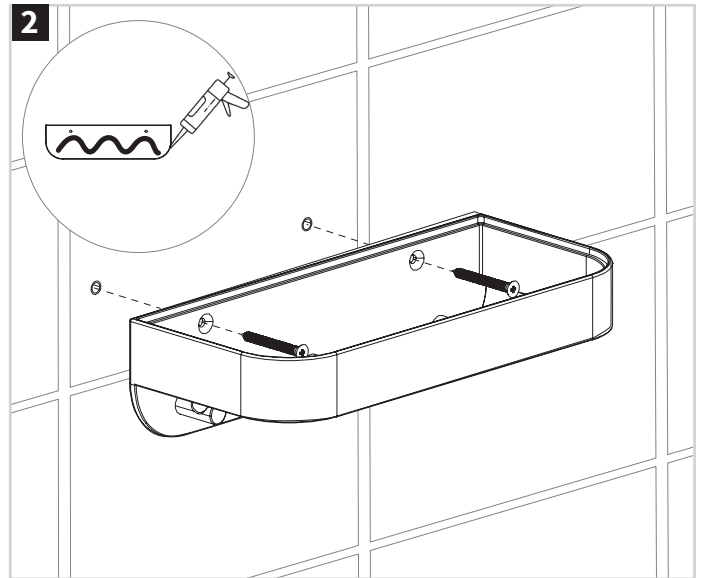
Drill		Pencil	
Tape Measure		Safety Goggles	
Spirit Level			

## INSTALLATION

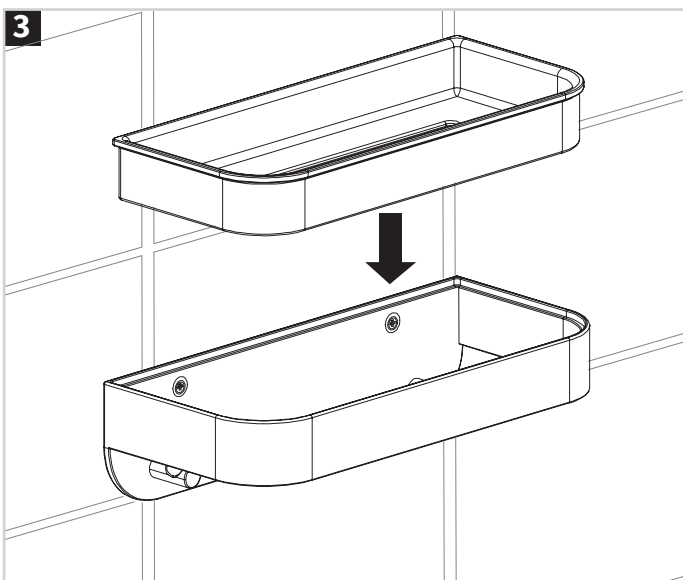


Remove the basket insert and mark the location of the holes on the wall, ensuring the holes are not on the edges of a tile or on the tile grout.

Use a spirit level to ensure the holes are level and drill using a 6mm drill bit suitable for the finished surface (i.e.. Diamond drill bit for ceramic or porcelain tiles)



Fix the basket to the wall using the screws provided. Apply a bead of silicone sealant to the back of the basket to make watertight. Check the manufacturer's instructions for drying times.



Place the basket insert on the metal frame and push down until you hear a "click". The basket can be removed for regular cleaning and maintenance.

## CARE & MAINTENANCE

The material we use in our accessories is very durable, nevertheless care should be taken when cleaning them. They should be cleaned only with warm soapy water followed by rinsing with clean water and drying with a soft cloth. All finishes are vulnerable to acid attack and some strong substances such as household cleaners, disinfectants, denture cleaners, hair dyes, wine making, and photographic chemicals can cause the surface to go black or peel.

Never use abrasive detergents or disinfectants or those containing alcohol, hydrochloric acid or phosphoric acid.