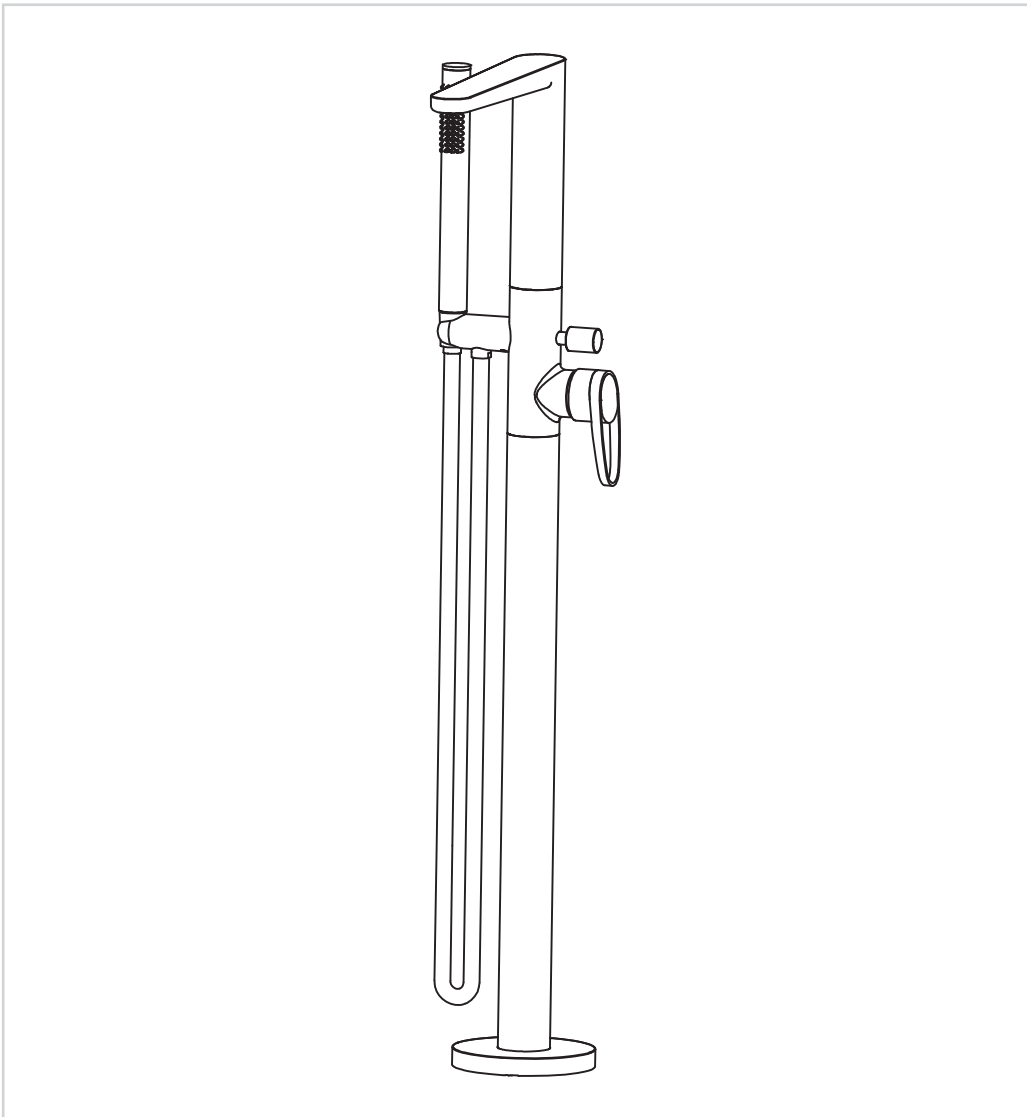


# LAZO

Floor Standing Bath Shower Mixer



**PRODUCT CODES:**

LA1416FC/F/M



## IMPORTANT INFORMATION BEFORE YOU START

**Please read carefully and keep this information for further reference.**

All products manufactured and supplied by Crosswater are safe provided they are installed, used correctly and receive regular maintenance in accordance with these instructions. If you are in any doubt about your ability to install this product safely you must employ the services of an experienced qualified plumber.

These fittings need to be installed in accordance with, and meet the requirements of the Water Supply (Water Fittings) Regulations 1999 and Scottish Byelaws 2004.

Operating pressure range: Minimum 0.2 bar, Maximum 5.0 bar.  
Maximum static pressure: 10.0 bar.

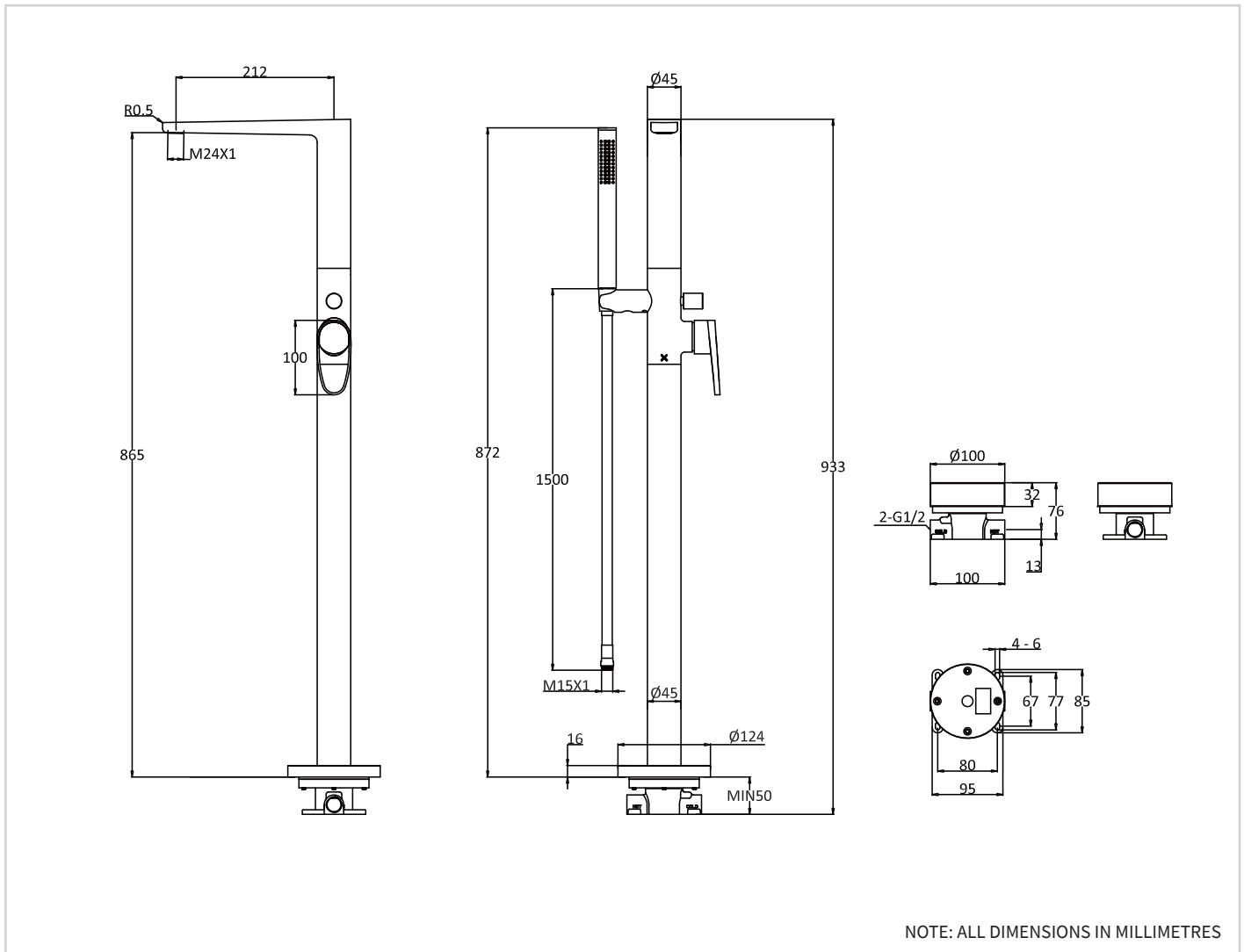
Note: Nominally equal (balanced) inlet supply pressures are recommended for optimum performance with mixer taps.

Designed to comply with BS EN 200 for single taps / combination taps and BS EN 817 for single lever mixers, for water systems of type 1 and 2 general technical specifications and to be used within systems designed to BS 6700. BS 6700 recommends the temperature of stored water should never exceed 65°C.

A stored water temperature of 60°C is considered sufficient to meet all normal requirements and will minimise the build up of lime scale in hard water areas.

If the fitting is installed at low pressure (tank fed), then the minimum distance from the highest installed position of the outlet to the underside of the cold tank should be at least 2 metres to ensure adequate performance.

**DIMENSIONS**



**IMPORTANT INFORMATION**

**Please read carefully and keep this information for further reference.**

These taps and mixers should be installed in compliance with the Water Regulations.

Where the supplies are unbalanced, i.e. Hot water from cylinder tank / cold from the mains, approved check valves must be fitted in the supply pipes.

For further details contact your Local Water Authority.

## BEFORE YOU START

### Important Pre-Installation Notes

Remove all packaging and check the fitting for damage before starting installation.

**Warning:** Before starting any installation please consider the following: before drilling into walls, check that there are no hidden electrical wires, cables or water supply pipes. This can be checked with the aid of an electronic detector.

If power tools are used do not forget to: -

Wear eye protection

Unplug equipment after use

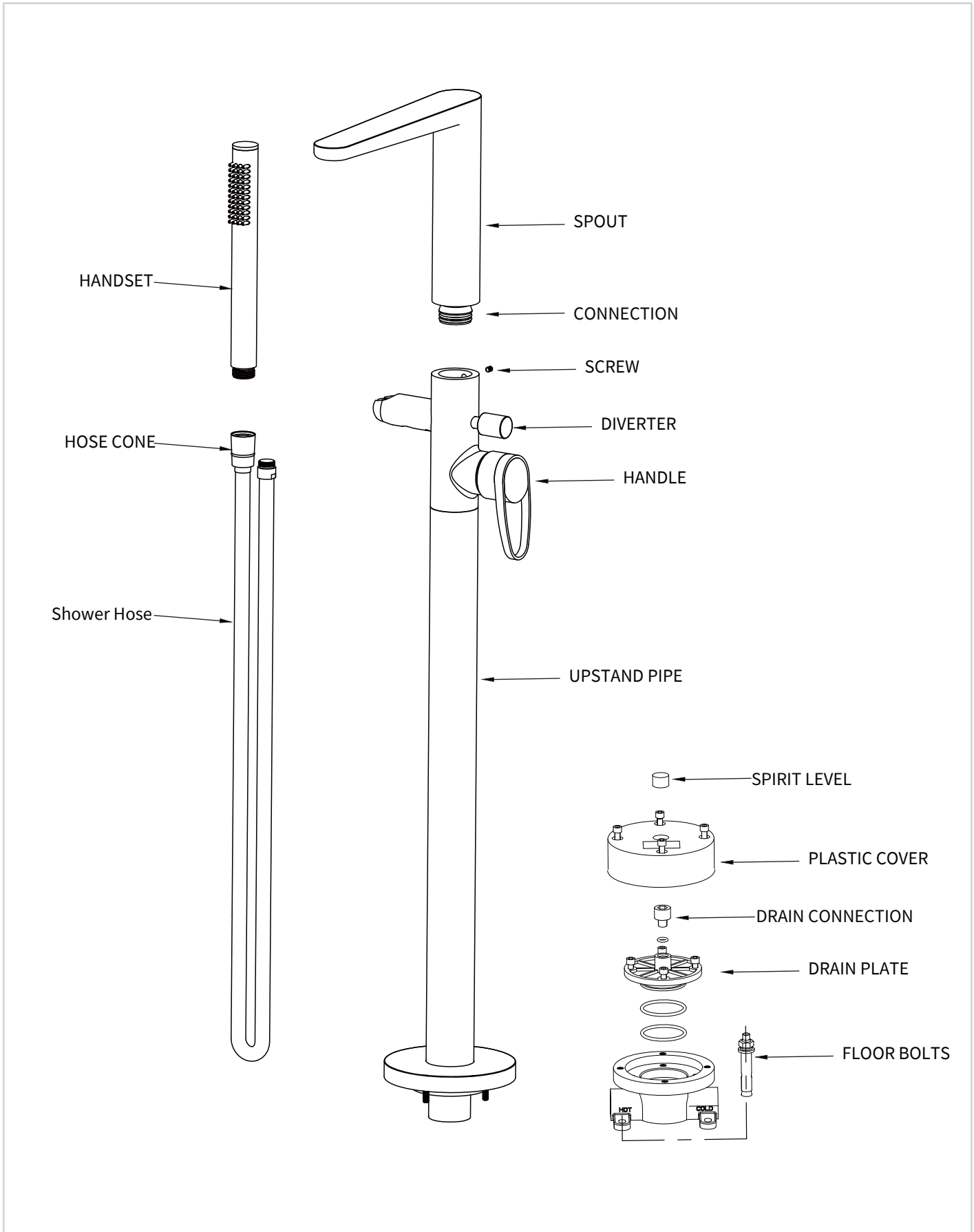
### Important:

Remember to turn off the mains water supply before connecting to any existing pipe work. Fitting isolating valves to the inlet feeds is recommended for ease of maintenance.

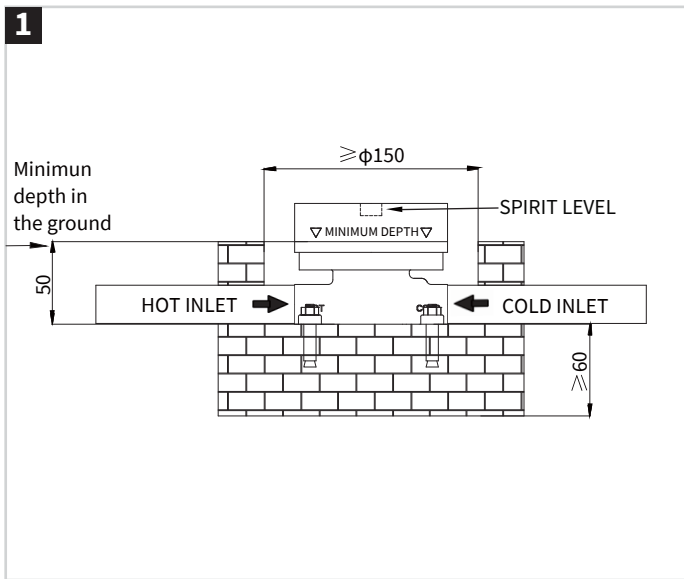
**Warning:** Before installing the new fitting it is essential that you thoroughly flush through the pipework in order to remove any remaining swarf, solder, etc. Failure to carry out this procedure could cause problems or damage to the workings of the fitting.

Take care when handling the 'flexible connecting pipes', do not bend, twist or crush them. Only tighten the pipes by hand. Do not crush or kink the shower hose, this could damage the hose and cause leaks.

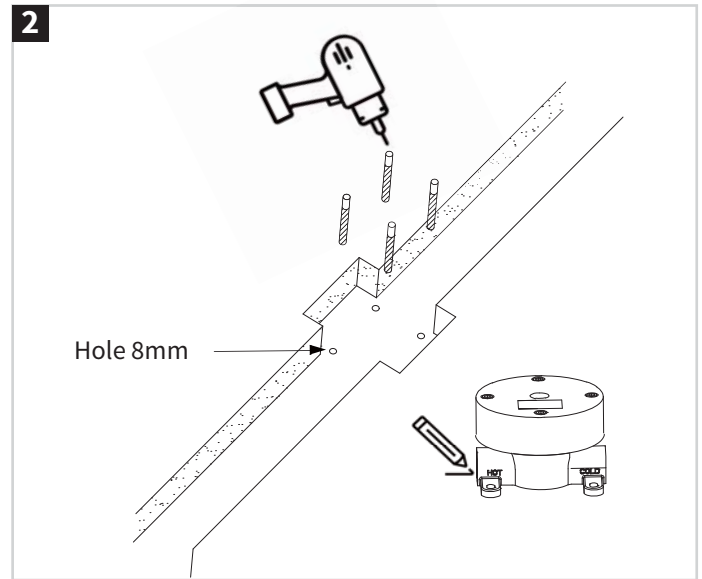
COMPONENTS



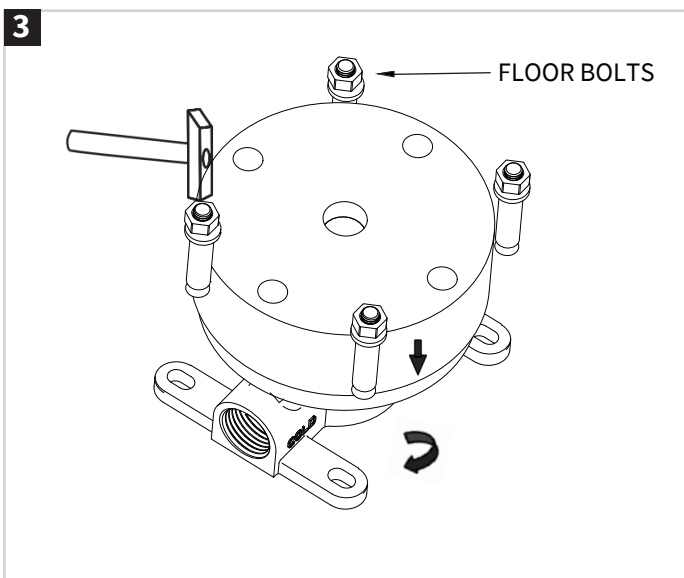
## INSTALLATION



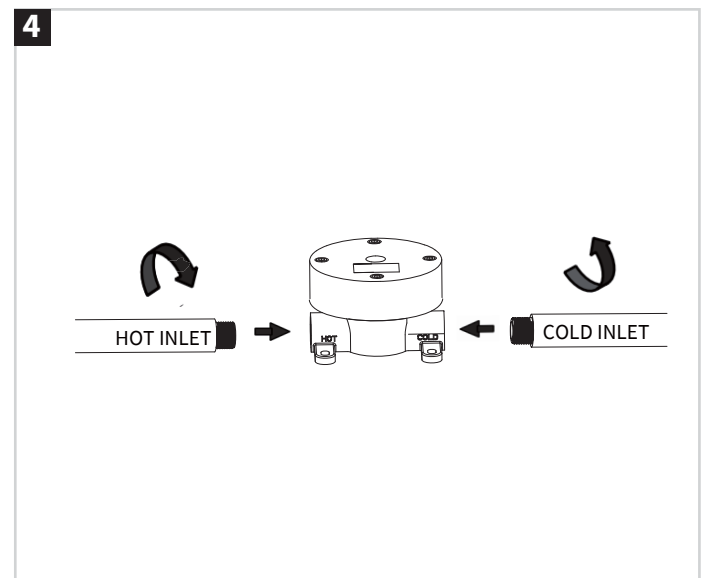
The floor needs to be prepared by making a cavity at least 50mm in depth within a solid floor. Please note the floor tile should be fixed to the MIN marking on the protective covers. The MAX depth depends on the bathtub's height on site, and ensure precise horizontal/vertical alignment with a spirit level.



Mark 4 points on the ground where the fixing seat will be installed and drill four  $\Phi 8$  sized screw holes.



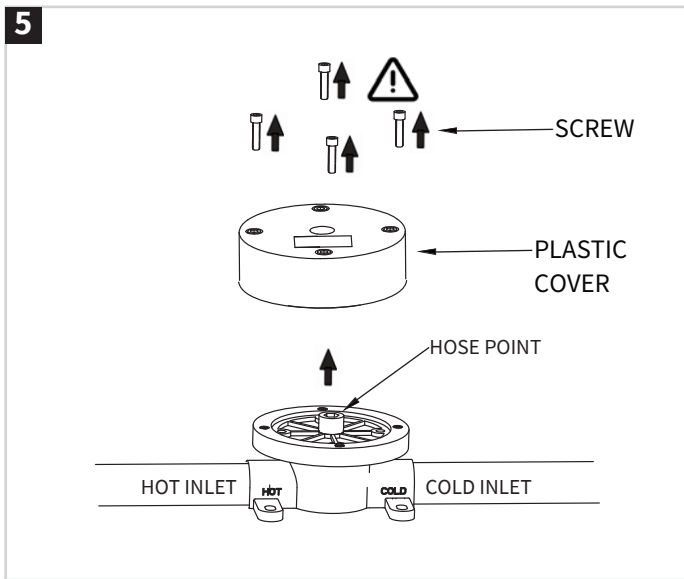
Once achieved secure in place with the floor bolts provided. The fixing seat can be fixed in any orientation inside your cavity as the final fix parts are fully adjustable.



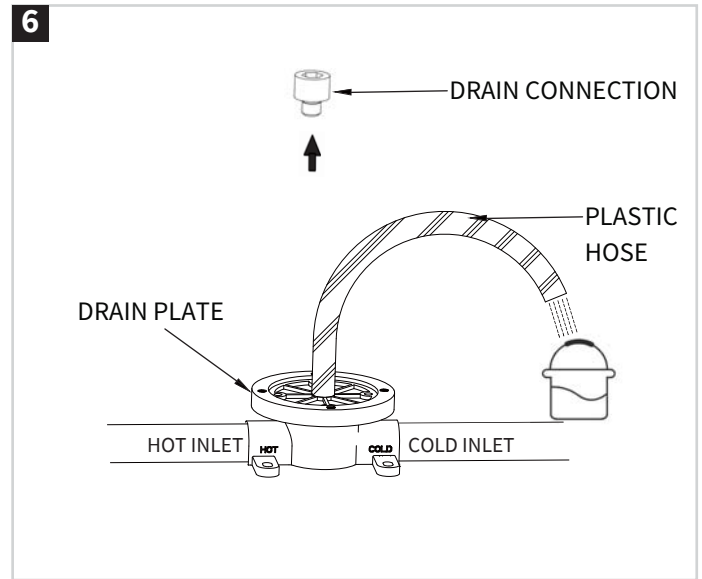
The hot and cold pipes should be flushed of all debris etc before final connection is made. Ensure the plastic cover is left in place until testing is complete. This is a safety feature and will provide additional protection while pressure testing for leaks to supplies or valvebody is under taken.

Make correct connections to hot and cold as shown.

INSTALLATION

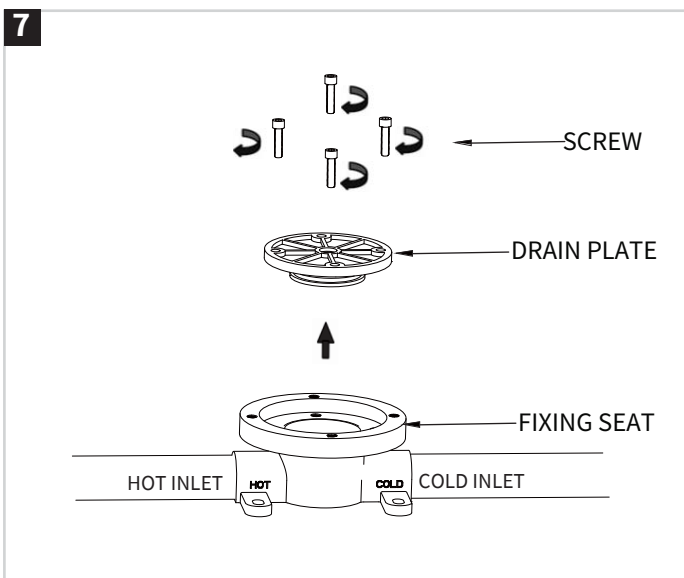


Proceed with the air & water tests of the valves and connections.  
Do not removed the screws, in case that the plastic plate spurts out.  
Once the testing is complete the plastic cover can be removed. Four screws should be removed (Attention: Remember to keep these 4 screws for step 10, so as to use in the installation of the faucet body).

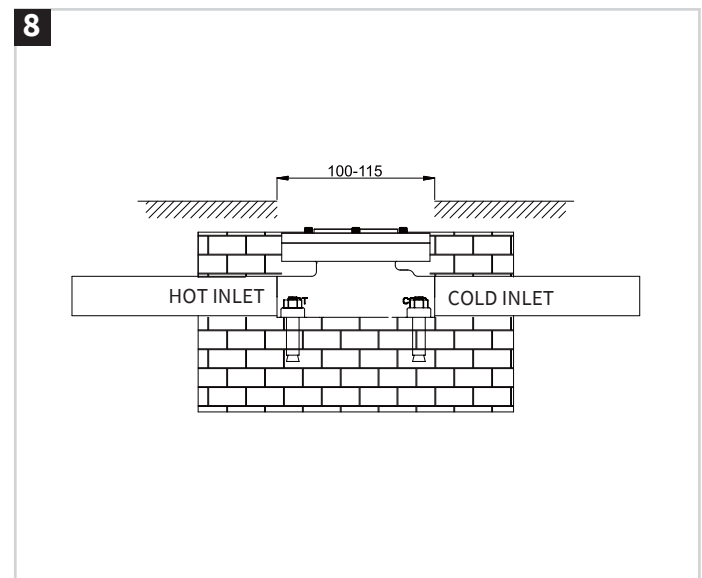


The hot and cold pipes should be flushed of all debris etc again by a suitable length of plastic hose or pipe before removing the drain plate.

**Notes:** Remove the drain connection when flushing the debris from the pipes, otherwise the water will not come out from the outlet of the drain plate.

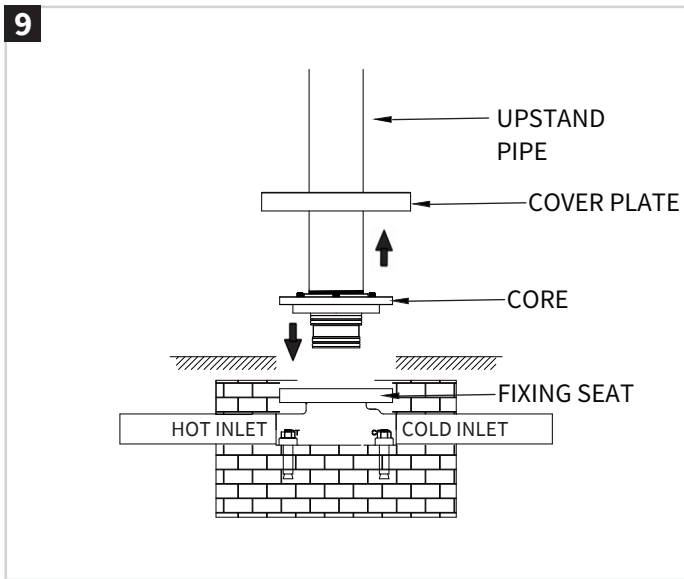


Remove four screws and drain plate, these four screws will not be used in subsequent installations.

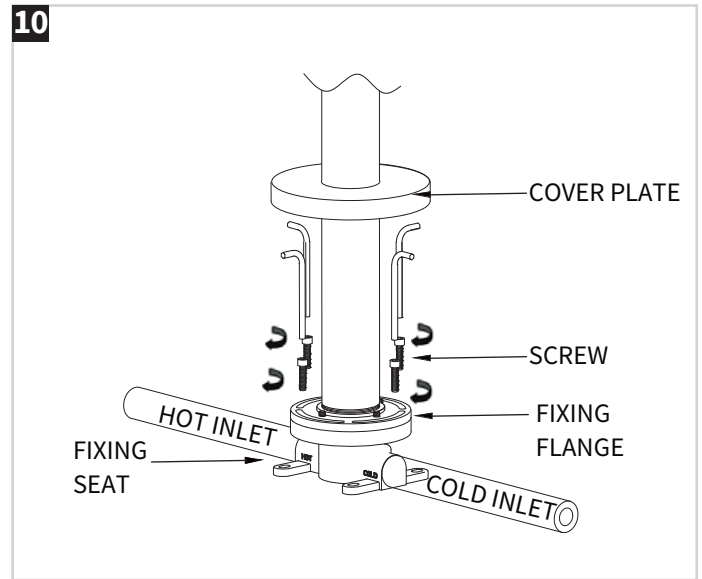


Turn off the mains water supply before laying the floor tiles.  
The flooring can then be fitted to cover the void as shown above. The diameter needs to be circa 100-115mm in order to be covered by the decorative flange.

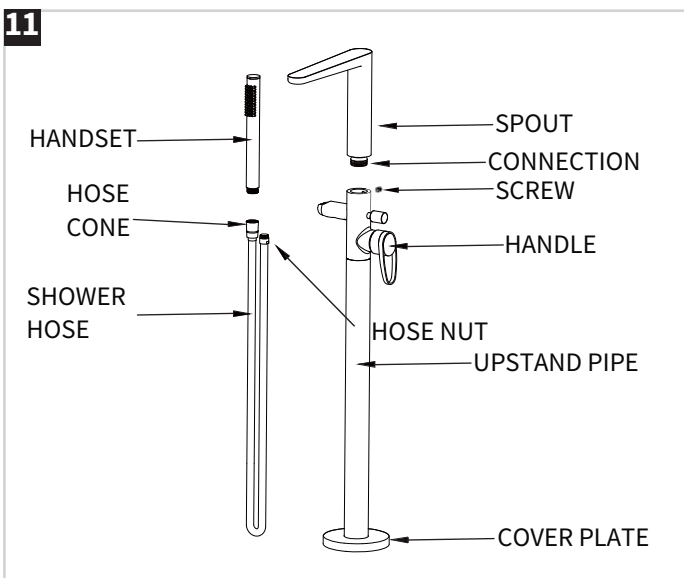
**INSTALLATION**



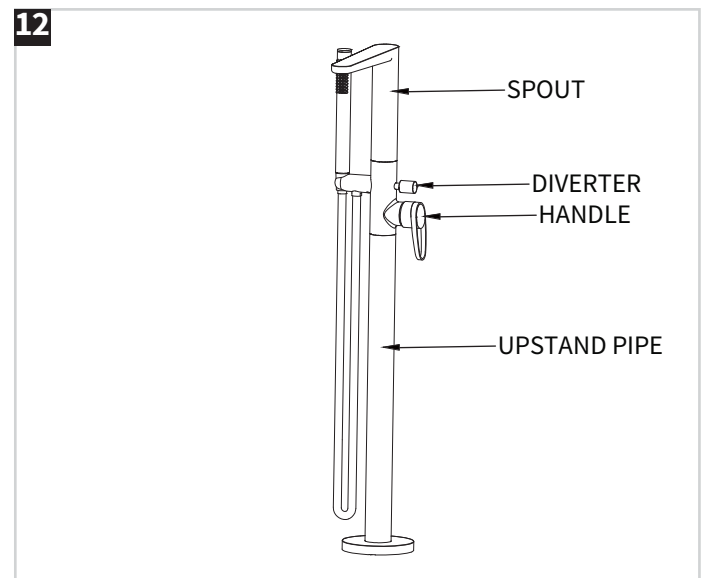
On the main body of the product slide the cover plate up the upstand taking care not to mark the chrome. Next the core under the upstand pipe should be pushed down into the corresponding holes of the fixing seat. This is a pre-tested product so care should be taken not to put undue stress on these tails as this could damage the seal within the body of the tap itself.



Rotate the fixing flange to adjust the spout direction properly. This fixing flange can be rotated 360°. Finally the upstand can be tightened onto the fixing seat using the grub screws (The four screws were removed from the plastic cover in Step 5).



**Note:** At this point the water can be switched on and the unit tested for leaks. Extra care and time should be taken examining the base of this as it will be concealed. once the installation is complete. Finally the handset, spout and hose can now be connected to the unit.



**ATTENTION**  
Having first checked all new connections, turn on the mains stop cock, close all taps except the new mixer and as the system starts to refill check for leaks. Once you have satisfied yourself that there are no leaks, switch on the water heating.

## CARE & MAINTENANCE

### CLEANING THE CARTRIDGE

The concealed cartridge should give trouble free service, but in the event of any problems, servicing is straight forward. To remove the cartridge:

Turn on the lever and using allen key loosen the grub screw in handle but do not remove it. Pull off the handle and unscrew the cover. Using the correct size spanner unscrew and remove the retaining nut. Pull out the cartridge taking note of its orientation. Wash the cartridge with clean running water and make sure that any trapped debris has been removed.

Dry and lightly grease the seal (only use silicone grease) and replace the cartridge followed by the nut, cover and

### CLEANING THE PRODUCT

The material we use in our taps is very durable, nevertheless care should be taken when cleaning them. They should be cleaned only with warm soapy water followed by rinsing with clean water and drying with a soft cloth. All finishes are vulnerable to acid attack and some strong substances such as household cleaners, disinfectants, denture cleaners, hair dyes, wine making, and photographic chemicals can cause the surface to go black or peel.

Note: Never use abrasive detergents or disinfectants or those containing alcohol, hydrochloric acid or phosphoric acid.

### CLEANING THE AERATOR

Before use: Unscrew the aerator and allow the water to run the freely until all debris is removed. Screw the aerator back into the spout once all impurities have been flushed from the water supply.

Periodically: Using the key provided in the box, unscrew the aerator from the spout and rinse with clean running water. Once all loose debris and dirt has been cleared, replace the aerator into the spout and tighten with the key provided

