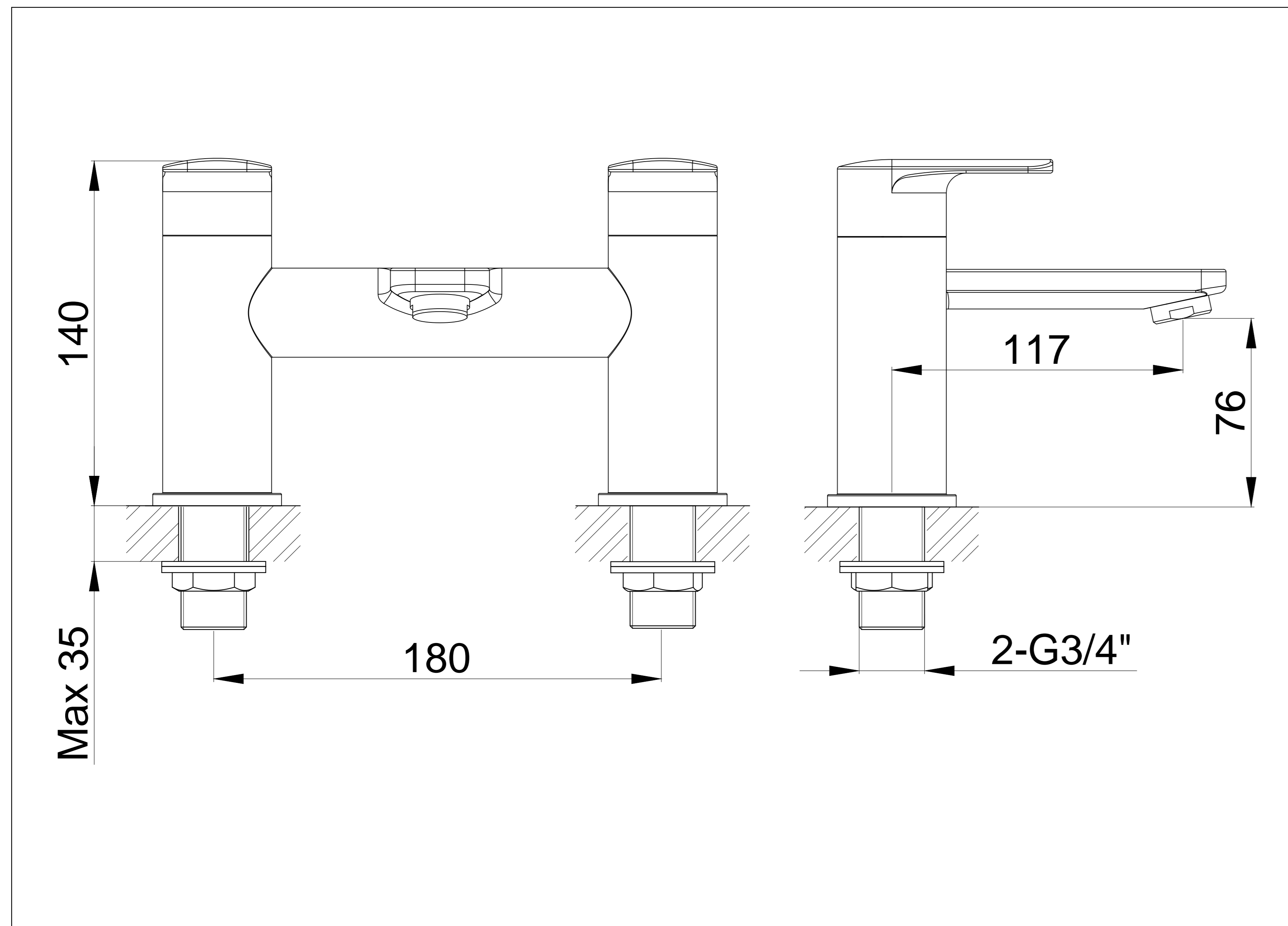


## Technical Diagram



Head Office:  
15 Millbrook Industrial Estate,  
Sybron Way, Crowborough,  
East Sussex TN6 3DU  
T:01530 835598  
E: sales@imexceramic.co.uk

[www.imexceramic.co.uk](http://www.imexceramic.co.uk)

## SUBF

### Suburb bath filler

### Installation Guide

