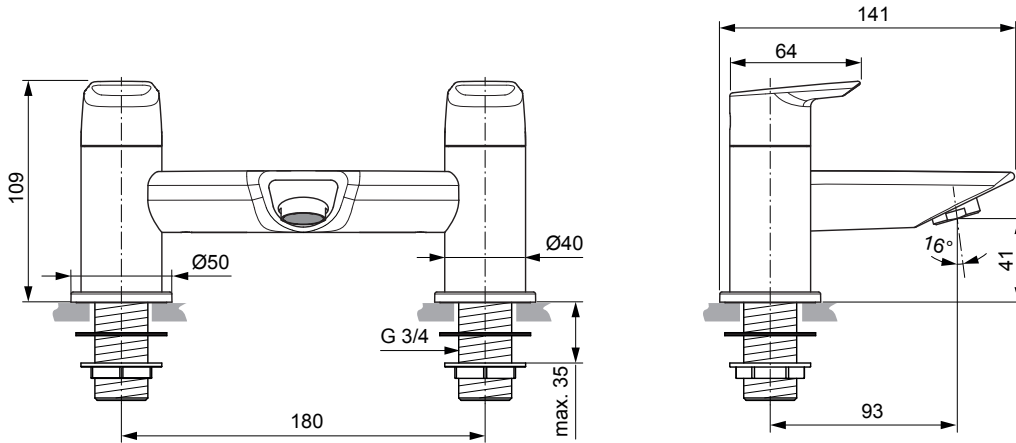
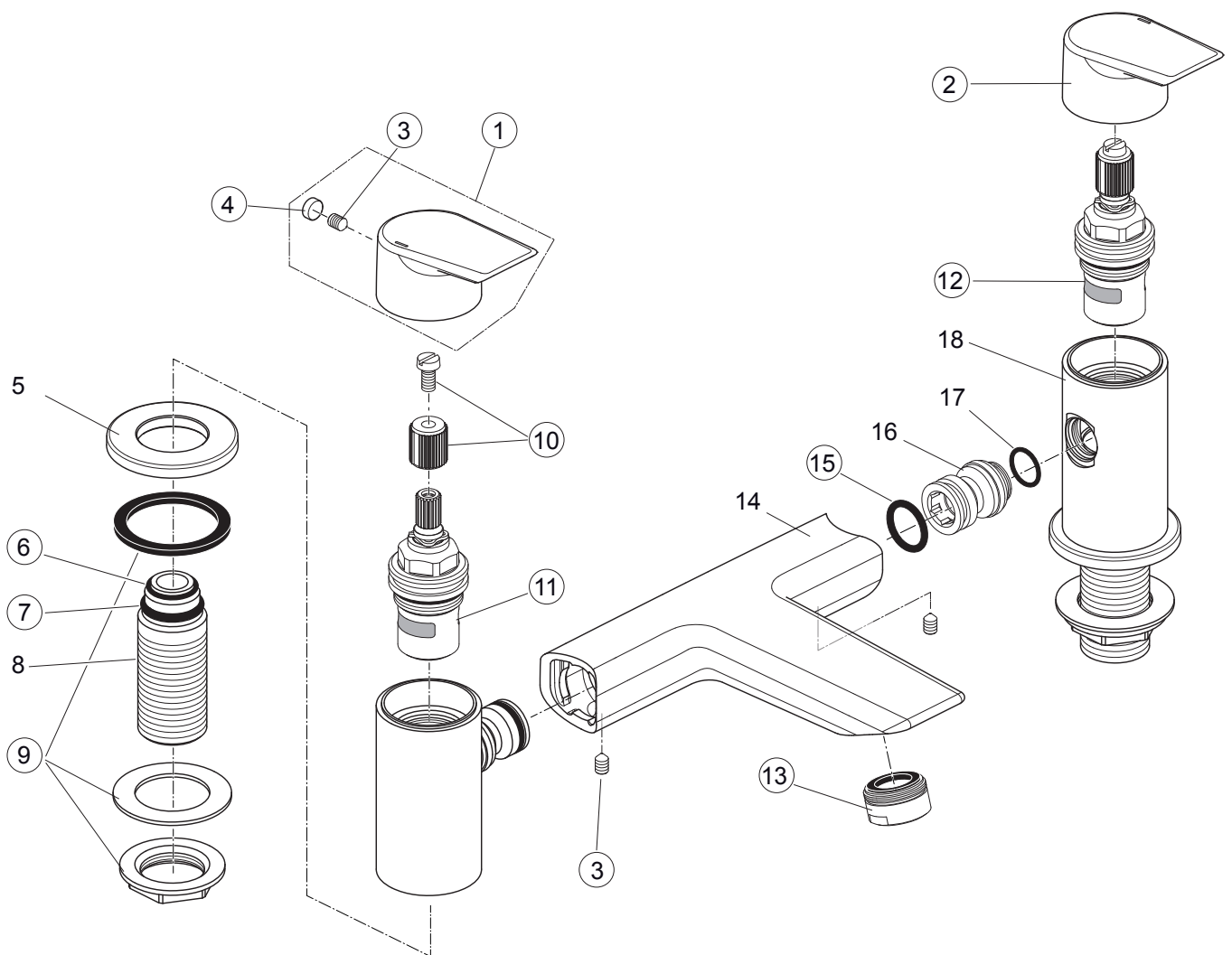


Produced from: Jan.2020



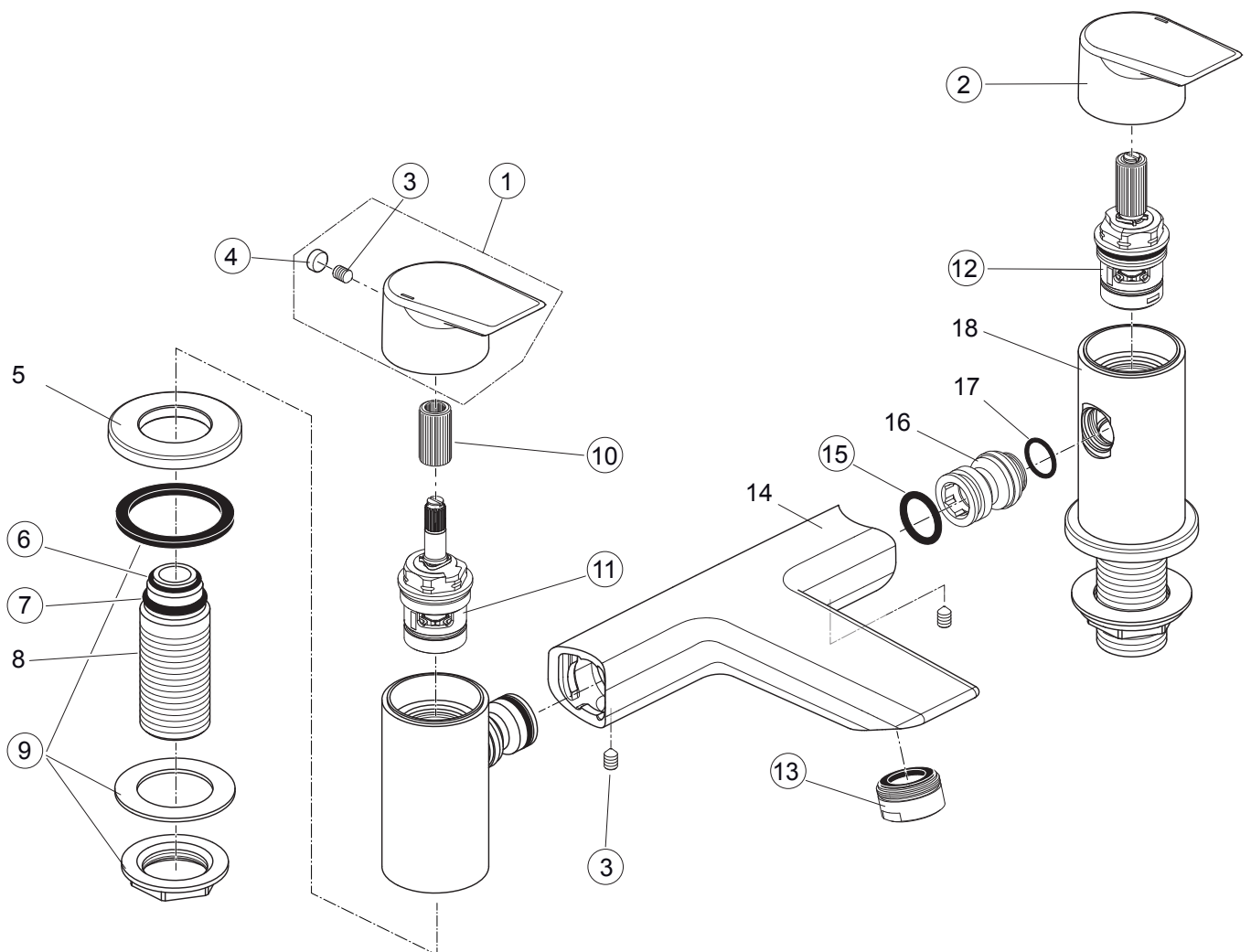
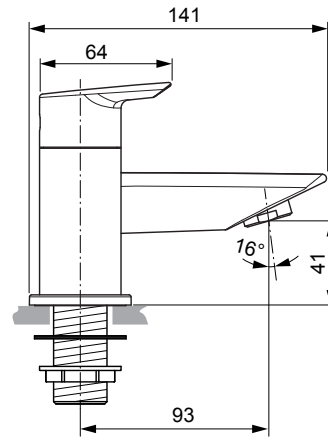
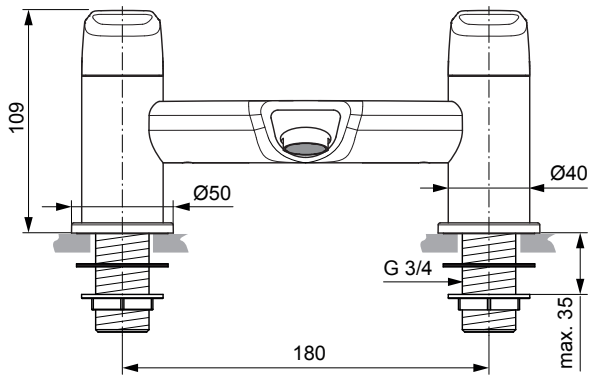
Bath Filler rim-mounted
chrome **A6590AA**



Pos.	Description	Part-Number	Qty.	Pos.	Description	Part-Number	Qty.
1	Handle cpl. red marked	A 861 064 AA	1 Set	11	Cartridge clsd. anti-clockw.	A 861 247 NU	1 pcs
2	Handle cpl. blue marked	A 861 065 AA	1 Set	12	Cartridge closed clockwise	A 861 246 NU	1 pcs
3	Screw M5 x 6 DIN 914	F 961 001 NU	1 pcs	13	Aerator M24x1	A 961 625 AA	1 pcs
4	Handle cap	B 960 583 NU	1 pcs	14	Body (Bath filler)		
5	Escutcheon			15	O - Ring Ø 16 x 2,5	A 961 326 NU	2 pcs
6	O - Ring Ø 31,47 x 1,78	A 961 640 NU	2 pcs	16	Connector nipple		
7	O - Ring Ø 19 x 2,50	A 860 187 NU	1 pcs	17	O - Ring Ø 13 x 1,5		
8	Connector G3/4"			18	Body (Cartridge)		
9	Fixation Kit	B 960 471 NU	1 Set				
10	Handle adaptor + screw	A 861 446 NU	1 Set				

Produced from: Nov. 2015 - Dec.2019

Bath Filler rim-mounted
chrome **A6590AA**



Pos.	Description	Part-Number	Qty.	Pos.	Description	Part-Number	Qty.
1	Handle cpl. red marked	A 861 064 AA	1 Set	11	Cartridge clsd. anti-clockw.	A 961 010 NU	1 pcs
2	Handle cpl. blue marked	A 861 065 AA	1 Set	12	Cartridge closed clockwise	A 960 462 NU	1 pcs
3	Screw M5 x 6 DIN 914	F 961 001 NU	1 pcs	13	Aerator M24x1	A 961 625 AA	1 pcs
4	Handle cap	B 960 583 NU	1 pcs	14	Body (Bath filler)		
5	Escutcheon			15	O - Ring Ø 16 x 2,5	A 961 326 NU	2 pcs
6	O - Ring Ø 31,47 x 1,78	A 961 640 NU	2 pcs	16	Connector nipple		
7	O - Ring Ø 19 x 2,50	A 860 187 NU	1 pcs	17	O - Ring Ø 13 x 1,5		
8	Connector G3/4"			18	Body (Cartridge)		
9	Fixation Kit	B 960 471 NU	1 Set				
10	Handle adaptor	N 042 677 NU	2 pcs				