



Connect Air A7046.. A7047.. A7048.. A7049

Ideal Standard

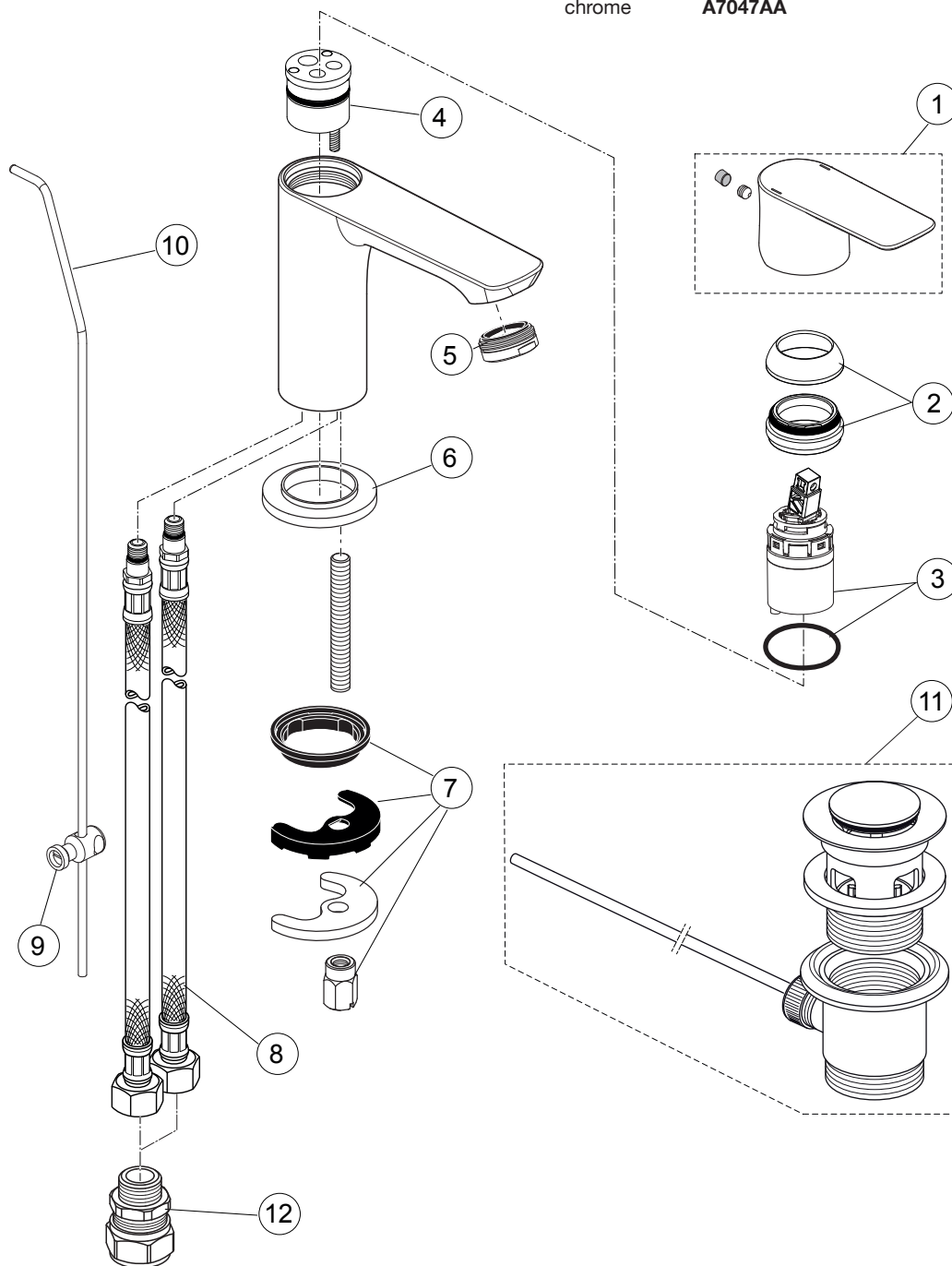
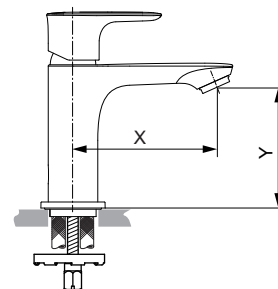
Produced since: Dec. 2020

SL basin mixer flex. hose
X = 90mm Y = 80 mm
without pop-up waste
chrome **A7048AA**

SL basin mixer flex. hose
X = 152mm Y = 240 mm
without pop-up waste
chrome **A7049AA**

SL basin mixer flex. hose
X = 107mm Y = 90 mm
with pop-up waste
chrome **A7046AA**

without pop-up waste
chrome **A7047AA**



Replace XX with the appropriate finish code

Chrome = AA Silver Storm = GN Gold = A2 Magnetic Grey = A5

Example spare part order:

A 861 402 AA in Chrome

Pos.	Description	Part-Number	Qty.	Pos.	Description	Part-Number	Qty.
1	Lever cpl.	A 861 521 XX	1 Set	10	Lift rod cpl. + Pos. 9	B 960 900 XX	1 Set
2	Cover cap & screw	A 861 417 XX	1 pcs	11	Pop-up waste complete	A 961 230 XX	1 Set
3	Cartridge Kerox Ø28	A 861 397 NU	1 Set	12	Connector G3/8 D15	B 960 845 NU	2 pcs
4	O - Ring Ø 23,52 x 1,78	A 961 855 NU	1 pcs				
5	Aerator M24x1 - 5ltr/min	B 961 383 XX	1 pcs				
6	Escutcheon	A 861 227 XX	1 pcs				
7	Fixation kit	A 964 520 NU*	1 Set				
8	Flex. hose M8x1-G3/8-425	A 962 370 NU	1 pcs				
9	Bracket	A 961 172 NU	1 pcs				

*Universal set (not all parts needed)

Connect Air

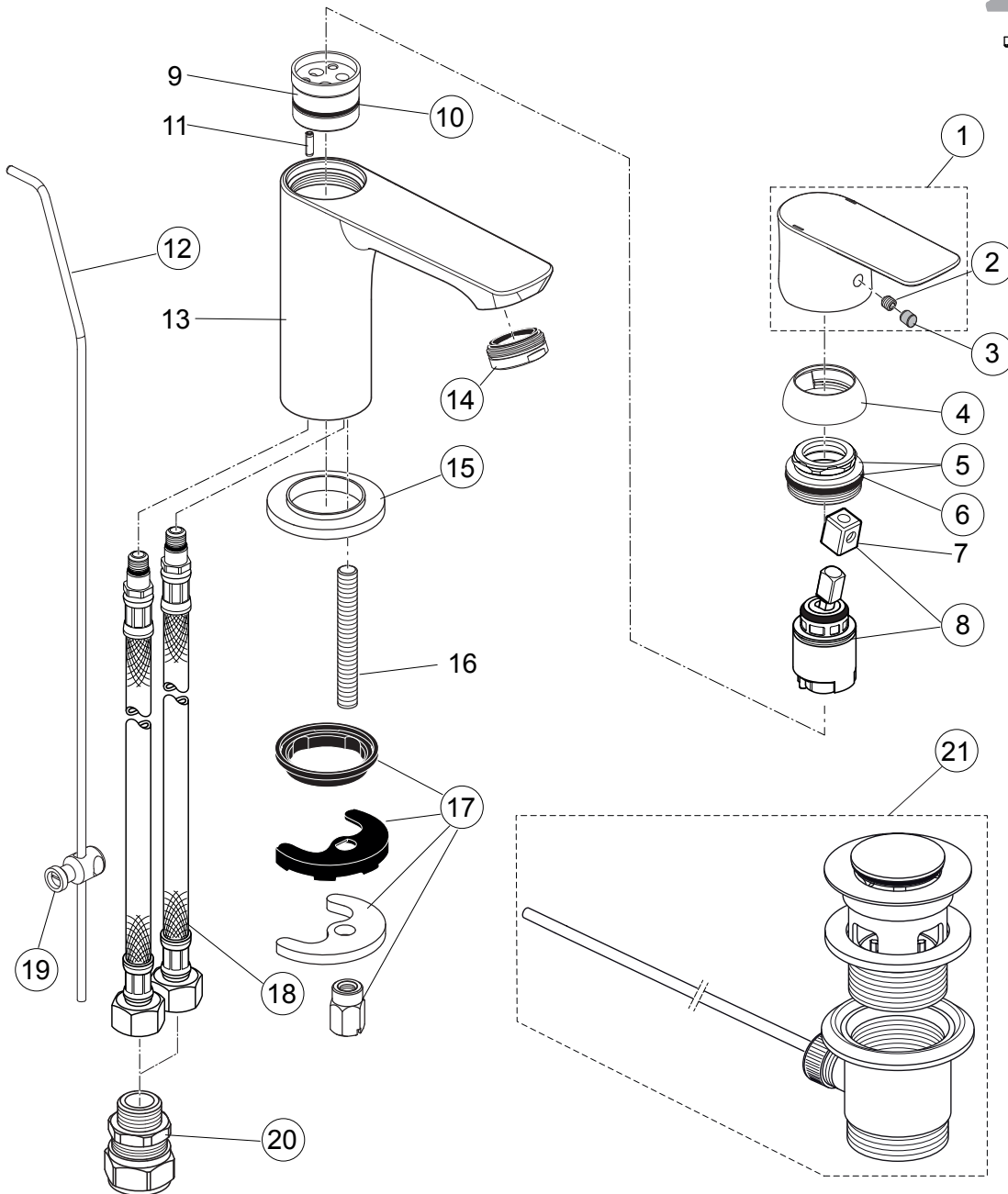
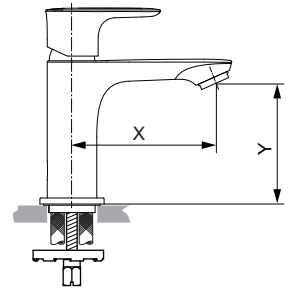
Produced since: **Nov. 2019 - Dec. 2020**

SL basin mixer flex. hose
X = 90mm Y = 80 mm
without pop-up waste
chrome **A7048AA**

SL basin mixer flex. hose
X = 152mm Y = 240 mm
without pop-up waste
chrome **A7049AA**

SL basin mixer flex. hose
X = 107mm Y = 90 mm
with pop-up waste
chrome **A7046AA**

without pop-up waste
chrome **A7047AA**



Replace XX with the appropriate finish code

Chrome = AA Silver Storm = GN Gold = A2 Magnetic Grey = A5

Example spare part order:
A 861 402 AA in Chrome

Pos.	Description	Part-Number	Qty.	Pos.	Description	Part-Number	Qty.
1	Lever cpl. + pos.7	A 861 402 XX	1 Set	13	Body		
2	Thread pin M5x5 DIN916	A 962 041 NU*	1 Set	14	Aerator M24x1 - 5ltr/min	B 961 383 XX	1 pcs
3	Handle plug	A 861 223 NU*	1 Set	15	Escutcheon	A 861 227 XX	1 pcs
4	Cover cap	A 861 224 XX	1 pcs	16	Bolt M8x63		
5	Thread ring M30x1 + pos.6	A 861 225 NU	1 Set	17	Fixation kit	A 964 520 NU*	1 Set
6	O - Ring Ø 28 x 2	A 963 299 NU	1 pcs	18	Flex. hose M8x1-G3/8-425	A 962 370 NU	1 pcs
7	Lever adapter				Flex. hose M8x1-G3/8-620	B 960 364 NU	1 pcs
8	Cartridge Kerox Ø25 + Pos.7	A 861 226 NU	1 Set	19	Bracket	A 961 172 NU	1 pcs
9	Manifold			20	Connector G3/8 D15	B 960 845 NU	2 pcs
10	O - Ring Ø 23,52 x 1,78	A 961 855 NU	1 pcs	21	Pop-up waste complete	A 961 230 XX	1 Set
11	Clamping pin						
12	Lift rod cpl. + Pos. 19	B 960 900 XX	1 Set				

*Universal set (not all parts needed)

Concept Air A7046.. A7047.. A7048.. A7049



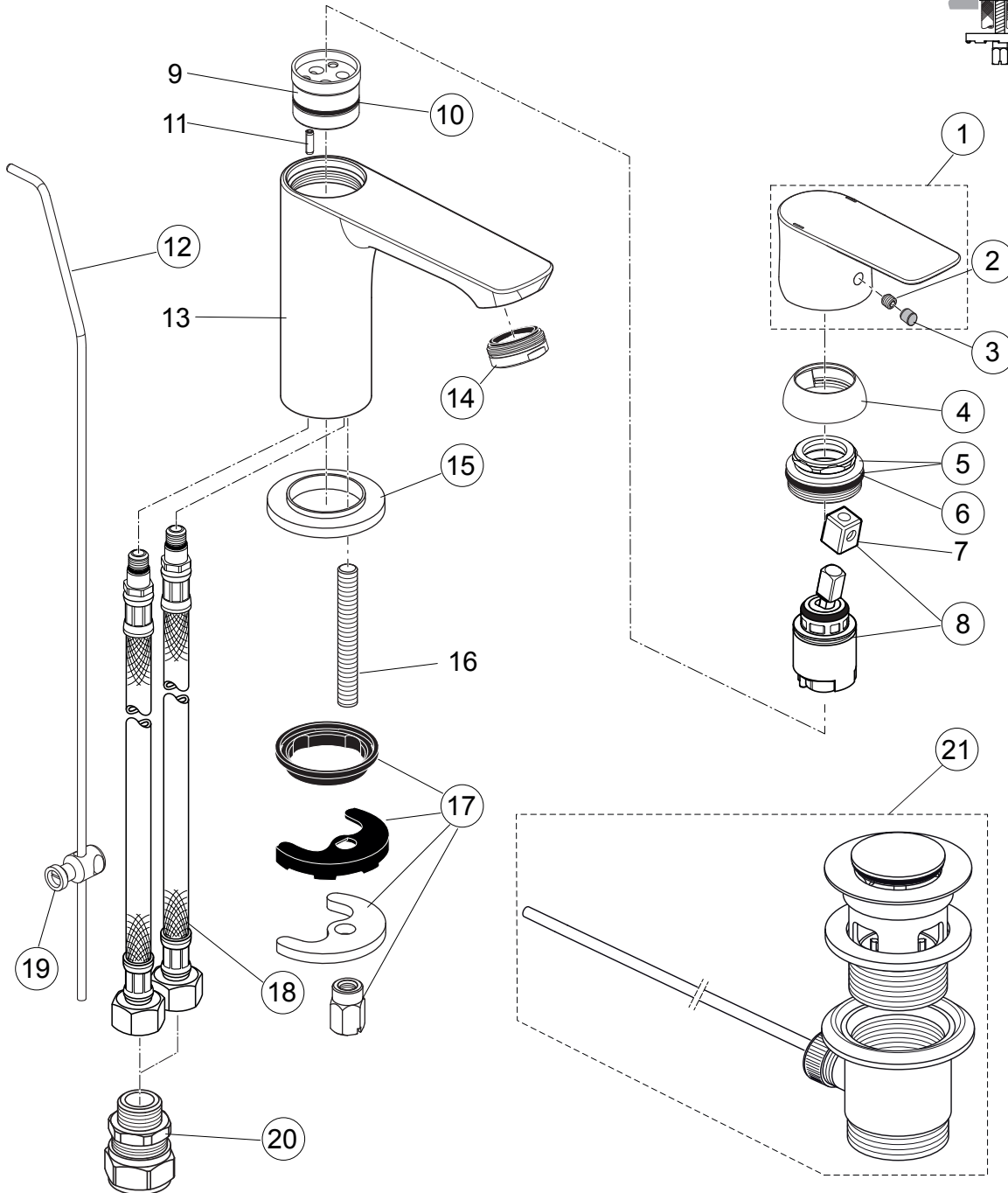
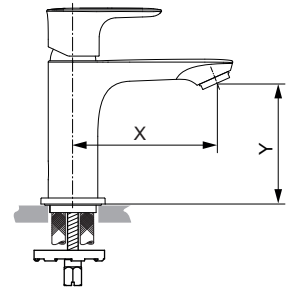
Produced since: **Aug.2017 - Oct.2019**

SL basin mixer flex. hose
X = 90mm Y = 80 mm
without pop-up waste
chrome **A7048AA**

SL basin mixer flex. hose
X = 107mm Y = 90 mm
with pop-up waste
chrome **A7046AA**

without pop-up waste
chrome **A7047AA**

SL basin mixer flex. hose
X = 152mm Y = 240 mm
without pop-up waste
chrome **A7049AA**



Pos.	Description	Part-Number	Qty.	Pos.	Description	Part-Number	Qty.
1	Lever cpl. w. Logo ISI + pos.7	A 861 222 AA	1 Set	13	Body		
2	Thread pin M5x5 DIN916	A 962 041 NU*	1 Set	14	Aerator M24x1 - 5ltr/min	B 961 383 AA	1 pcs
3	Handle plug	A 861 223 NU*	1 Set	15	Escutcheon	A 861 227 AA	1 pcs
4	Cover cap	A 861 224 AA	1 pcs	16	Bolt M8x63		
5	Thread ring M30x1 + pos.6	A 861 225 NU	1 Set	17	Fixation kit	A 964 520 NU*	1 Set
6	O - Ring Ø 28 x 2	A 963 299 NU	1 pcs	18	Flex. hose M8x1-G3/8-425	A 962 370 NU	1 pcs
7	Lever adapter				Flex. hose M8x1-G3/8-620	B 960 364 NU	1 pcs
8	Cartridge Kerox Ø25 + Pos.7	A 861 226 NU	1 Set	19	Bracket	A 961 172 NU	1 pcs
9	Manifold			20	Connector G3/8 D15	B 960 845 NU	2 pcs
10	O - Ring Ø 23,52 x 1,78	A 961 855 NU	1 pcs	21	Pop-up waste complete	B 960 853 AA	1 Set
11	Clamping pin						
12	Lift rod cpl. + Pos. 19	A 861 210 AA	1 Set				

**Universal set (not all parts needed)*