

PRODUCT DATA SHEET



PRODUCT CODE

FO130WNC

RANGE

Foile

DESCRIPTION

Foile Basin 3H Set Wall Mounted
Chrome

WEBSITE LINK [Click Here](#)

CATEGORY	Brassware
WARRANTY DETAILS	15 Years
COLOUR	Chrome
FINISH APPLICATION	Electroplated
PRIMARY MATERIAL	Brass
INSTALL TYPE	Wall Mounted
PRODUCT HEIGHT MM	50
PRODUCT DEPTH MM	312
PRODUCT NET WEIGHT KG	2.5
STANDARDS	BS EN 200:2008

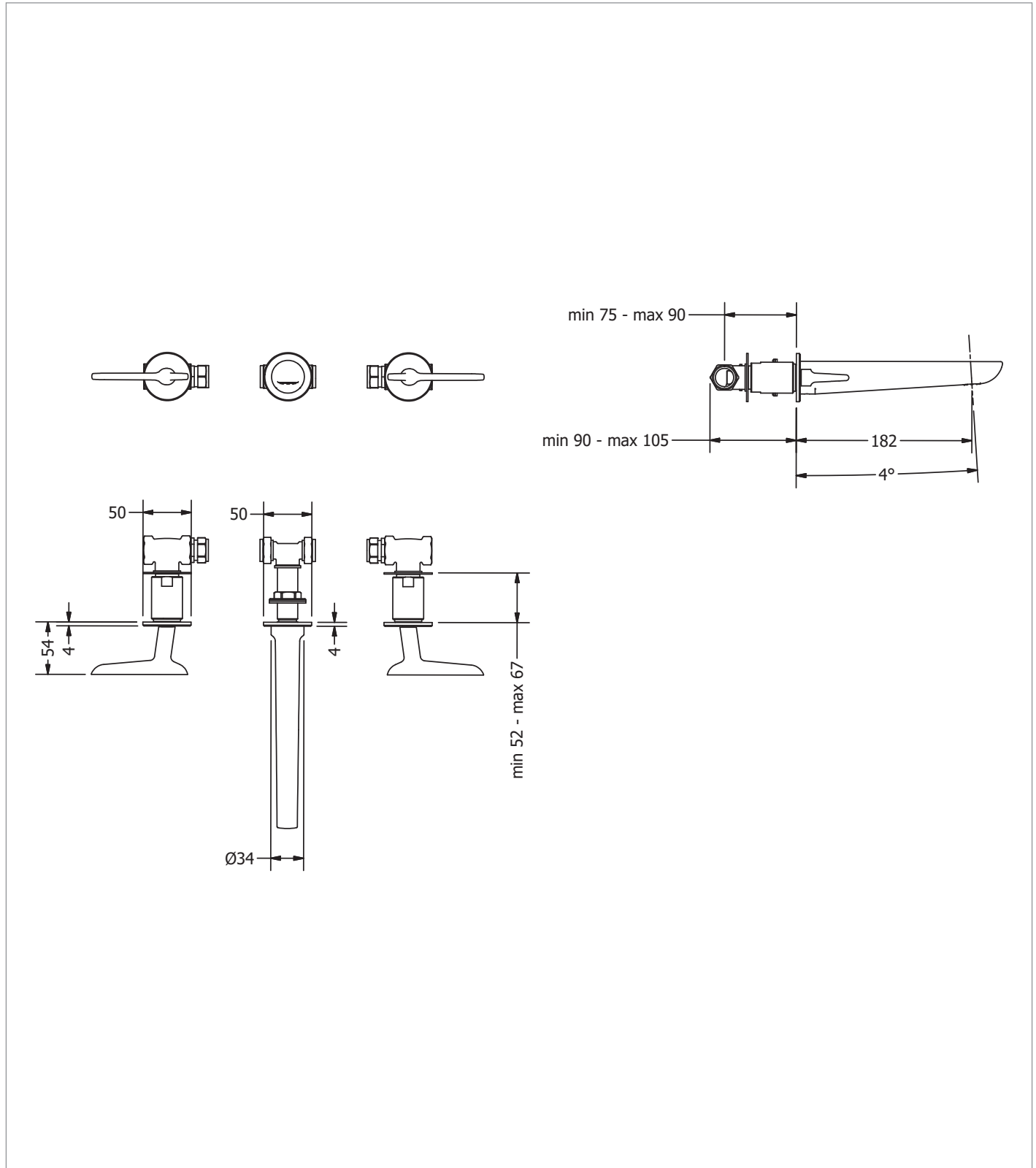
MINIMUM PRESSURE (BAR)	1
MAX WORKING PRESSURE (BAR)	5
HEADWORK	1/2" Quarter turn ceramic cartridge
SPOUT PROJECTION	182
SWIVEL SPOUT	No
INLET CONNECTIONS THREAD	G1/2"
FLOW REGULATOR	Cache M16x1
WASTE INCLUDED	No
ANTI-SCALD	No
ENERGY SAVING	No
SHOWER HOSE & HANDSET ARE INCLUDED	No

PRESSURE (BAR)	0.2	0.5	1	2	3	4	5
PRIMARY FLOWRATE			3.9	4.8	5	5	5
HANDSET FLOWRATE							
MESSAGE FLOW RATE							
AIR FLOW RATE							
WIRE FLOW RATE							
WATERFALL FLOW RATE							
MIST FLOW RATE							
HANDSPRAY FLOW RATE							

TECHNICAL DIMENSIONS

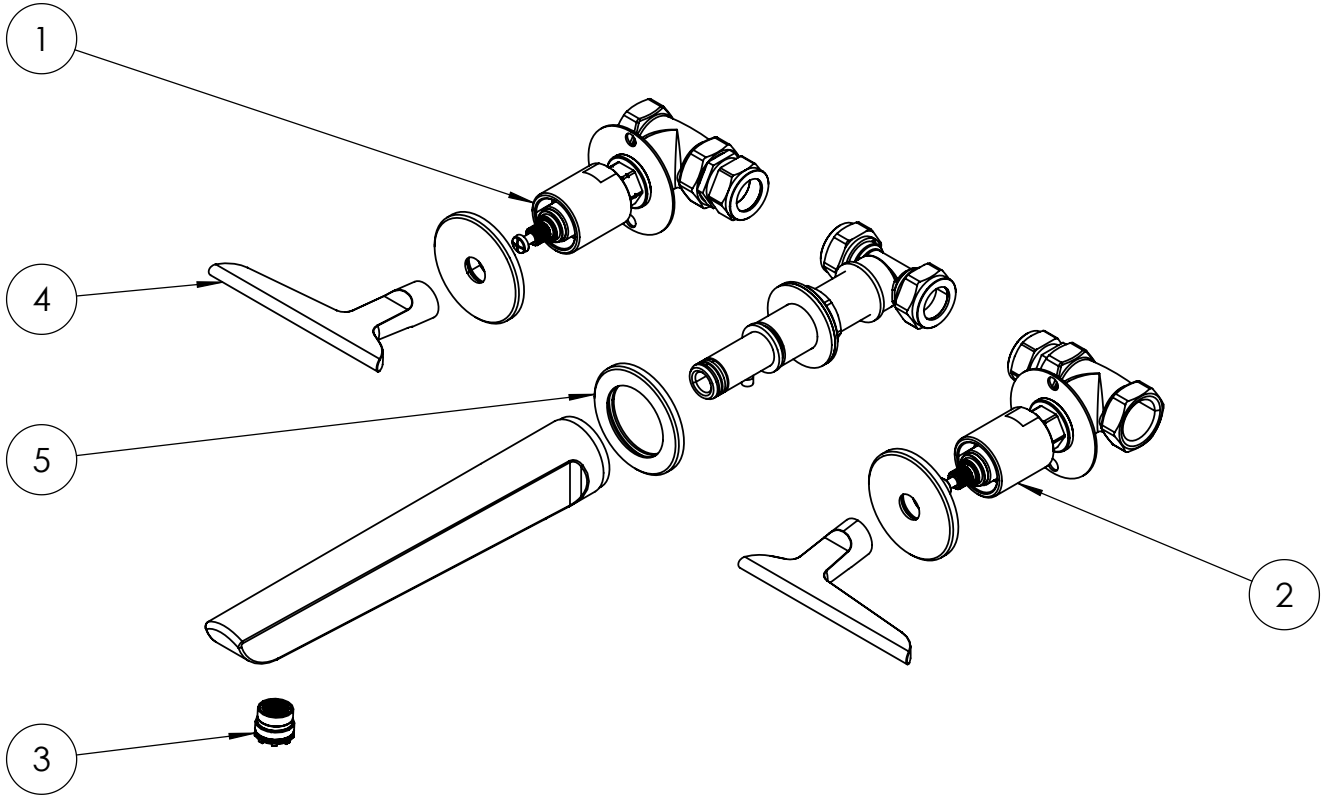
Dimensions in mm unless otherwise specified.

Tolerances (per material type) apply.



SPARES LIST

Only the parts labelled are available as spares.



NUMBER	PART CODE	DESCRIPTION
1	57FLSP002L/L	FO130 Cartridge Hot
2	57FLSP002L/R	FO130 Cartridge Cold
3	57FLSP003	FO110 FO120 FO130 FO135 Aerator
4	57FLSP010C	FO130 Handle Single Chrome
	57FLSP010F	FO130 Handle Single Brushed Brass
	57FLSP010M	FO130 Handle Single Matt Black
5	57FLSP012C	FO130 Spout Wall Plate Chrome
	57FLSP012F	FO130 Spout Wall Plate Brushed Brass
	57FLSP012M	FO130 Spout Wall Plate Matt Black