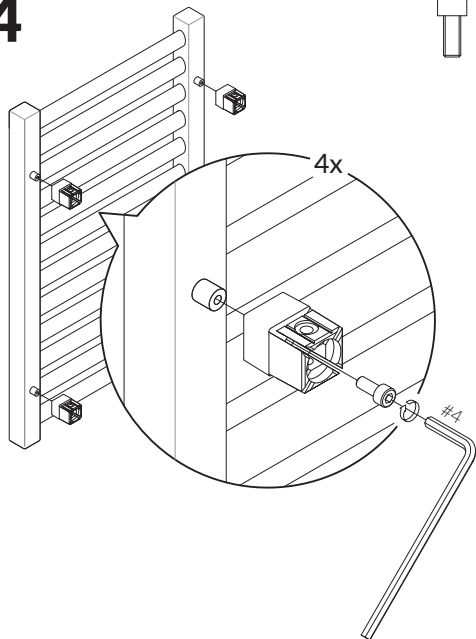
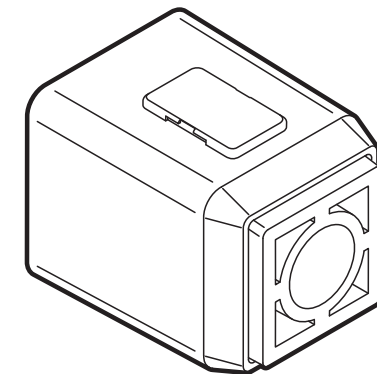
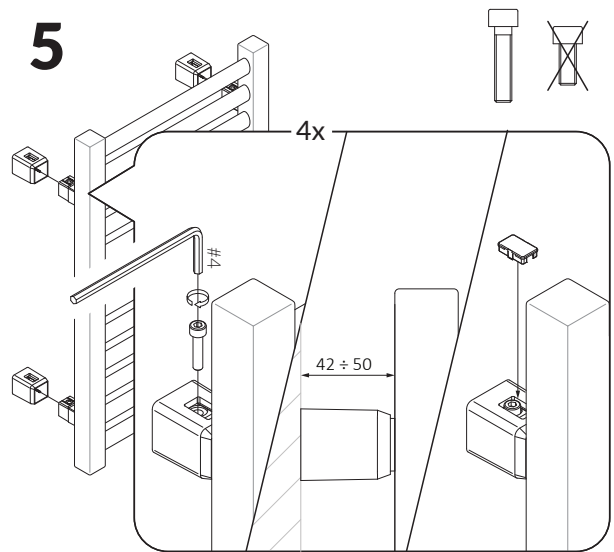


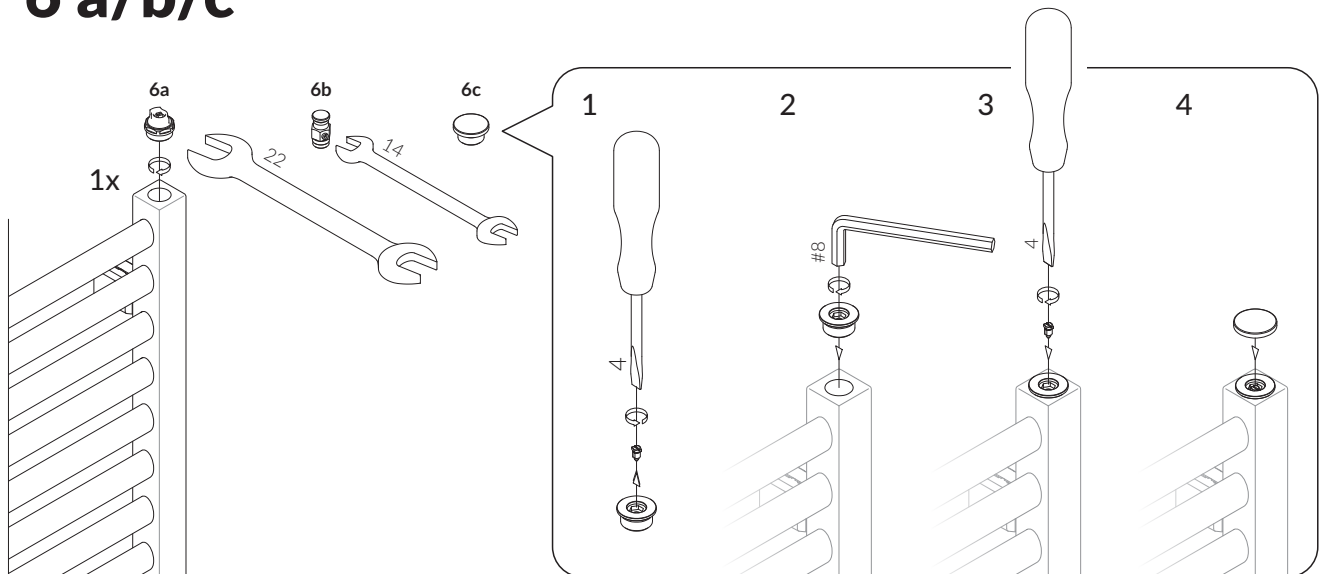
4



5



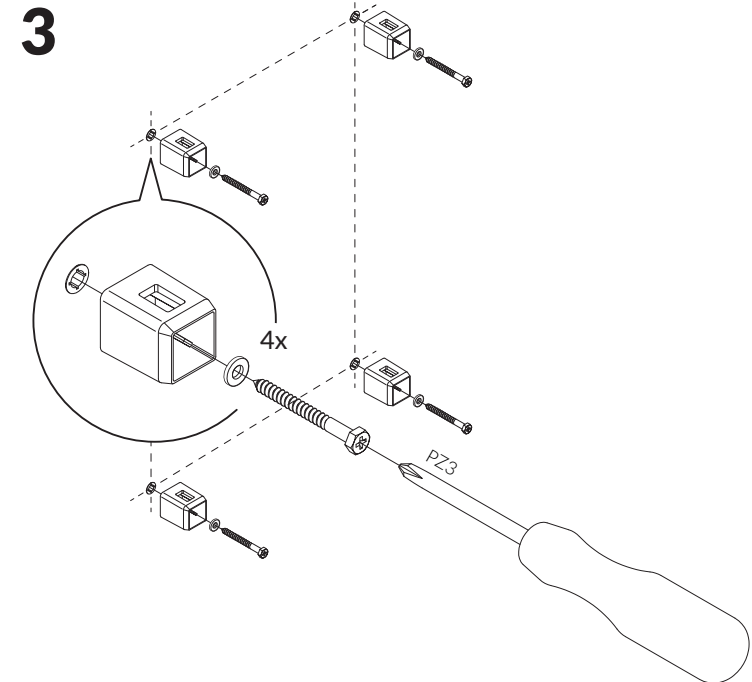
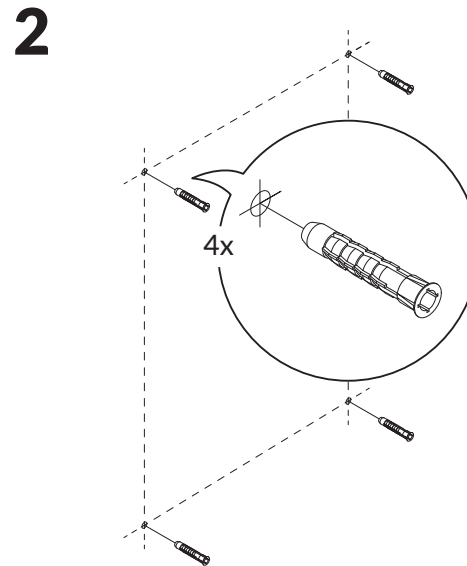
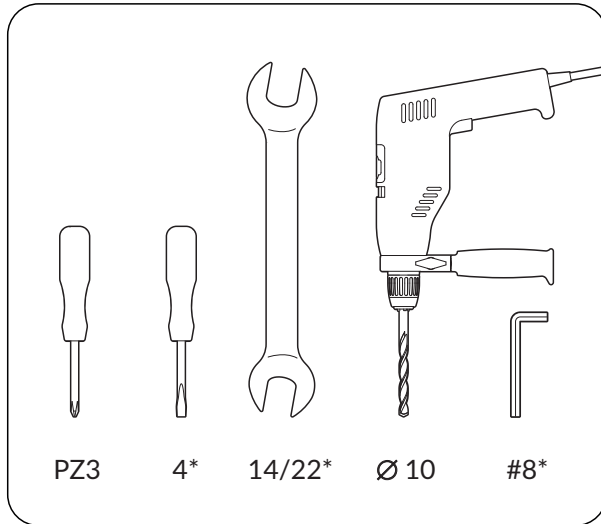
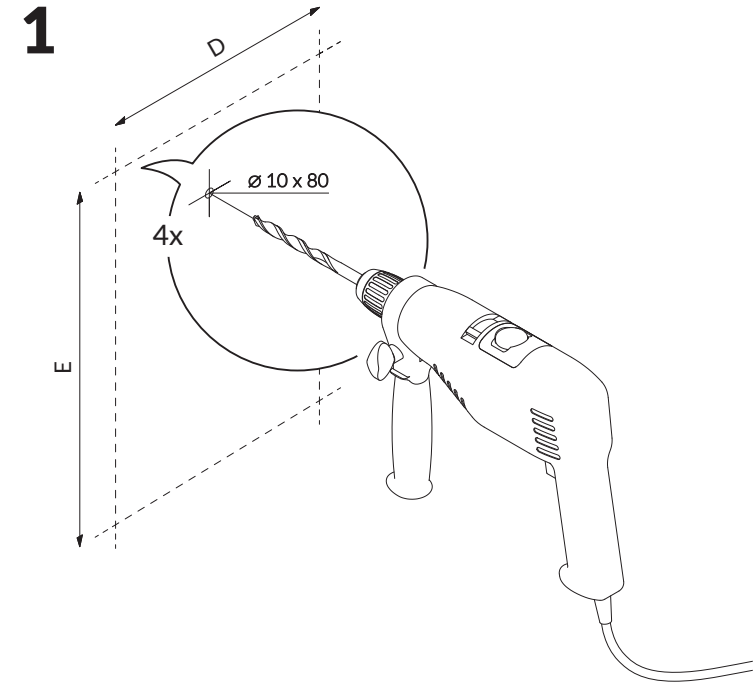
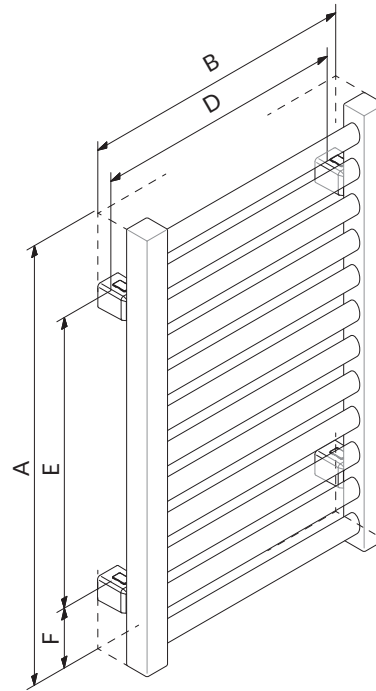
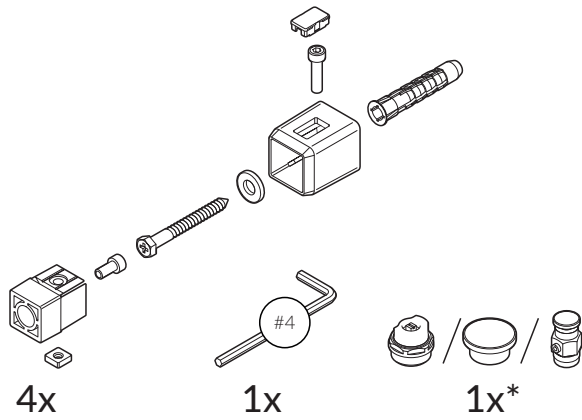
6 a/b/c*



Manual

Mounting bracket x4

crosswater[®]



* **EN** Refers to water and dual fuel version