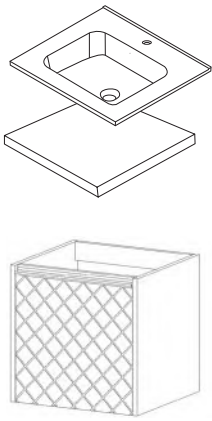
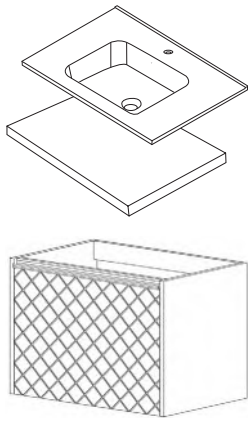
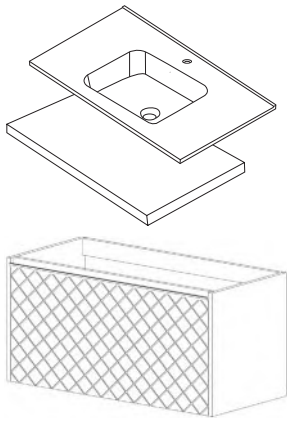
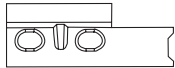

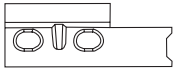

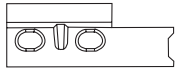



500 Basin Unit, Ceramic Basin / Worktop	700 Basin Unit, Ceramic Basin / Worktop	1000 Basin Unit, Ceramic Basin / Worktop
 <p>VG500DWM DBM DSGR 18 Kgs</p>	 <p>VG700DWM DBM DSGR 21 Kgs</p>	 <p>VG1000DWM DBM DSGR 27 Kgs</p>
<p>Contents of carton</p>  x2  x4	<p>Contents of carton</p>  x2  x4	<p>Contents of carton</p>  x2  x4

Tools & equipment needed:

Drill, 8mm Suitable drill bit, Phillips screwdriver, Spirit level, Ruler/tape measure, Pencil, Solvent free silicone sealant (clear).



IMPORTANT - Advice and safety - Please read before installation

Please read these instructions carefully before starting installation and keep in a safe place for future reference.

Check the contents of the pack carefully before installation. Bauhaus will not be held responsible for any de-fit / re-fit costs where faulty product has been fitted.

If any fault is found with materials or workmanship, it must be reported immediately to the manufacturer. Remedial action will be taken, based on information received, on condition that:

1. Full details are supplied to the manufacturer; 2. The product has not been modified or tampered with; 3. The manufacturer is informed of any damage/shortages prior to installation.

We do not accept responsibility for any problems that may occur through incorrect installation.

Advice & Safety

This product should only be installed by a suitably qualified Plumber/installer. Should the installation be completed by a non-qualified person any product guarantee maybe considered invalid. For a claim made under our warranty written certification of your installers qualifications can be required.

It is advised that all doors and drawers are removed prior to fitting to avoid unnecessary damage occurring.

Ensure the room is well heated and ventilated.

It is recommended that walls are fully tiled before furniture and accessory installation. This ensures that the product is installed flat to the tile face and allows product to be easily removed if required in the future.

These instructions have been prepared for your guidance, you must exercise due care at all times. Please note that some units are heavy. Always take care when lifting, and follow health and safety guidelines. It is recommended that 2 people carry out the installation of larger basin/vanity units.

Warning! Please check for any hidden pipes or electrical cables before drilling holes in the floor or walls.

When using power tools always follow the manufacturer's user. Do not over tighten tap or waste fittings, doing so may result in damaging the basin.

Care & Cleaning

Ceramic and Glass basin products should be cleaned regularly with warm soapy water, then rinsed with clean water and, if desired, dried and polished with a soft cloth. Lime scale deposits can be removed using a 50:50 solution of warm water and lime scale remover and soft clean cloth.

Please also take care not to damage the lacquered surface on the underside of the glass washbasin that gives the washbasin its colour. Damage to the underside of the washbasin may be visible through the glass. Take care how you handle the washbasin prior to installation and place it on a soft surface to avoid damage.

Do not use abrasive cleaners or bleach in this will permanently damage the high gloss surface. Use a well wrung chamois leather or micro fibre cloth to clean furniture carcasses.

If any maintenance is required then it must be carried out by a qualified Plumber.

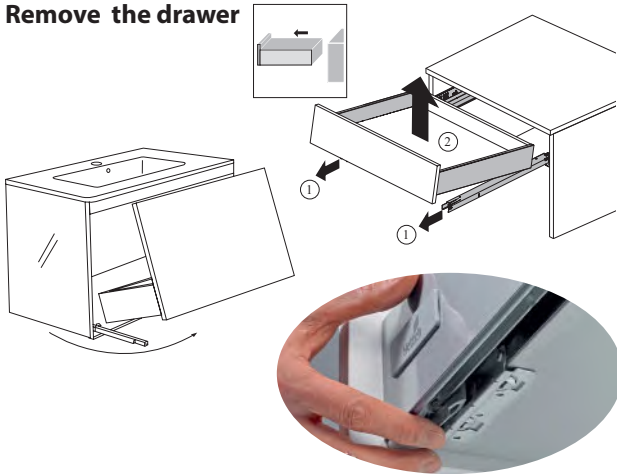
The manufacturer reserves the right to make technical modifications without prior notice.

INSTALLATION INSTRUCTIONS

Single Drawer Basin Unit & Basin Installation

STEP 1

Remove the drawer

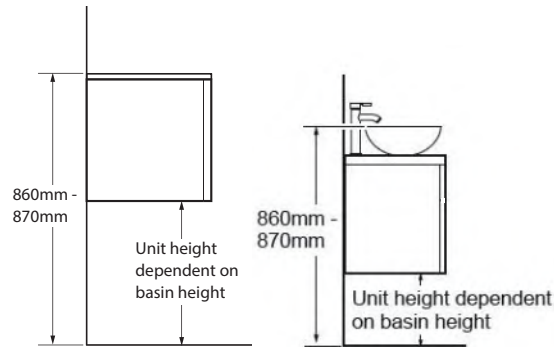


STEP 2

Plan unit position

Decide on the position and height of the unit.

The recommended basin height is between 860mm and 870mm.



STEP 3

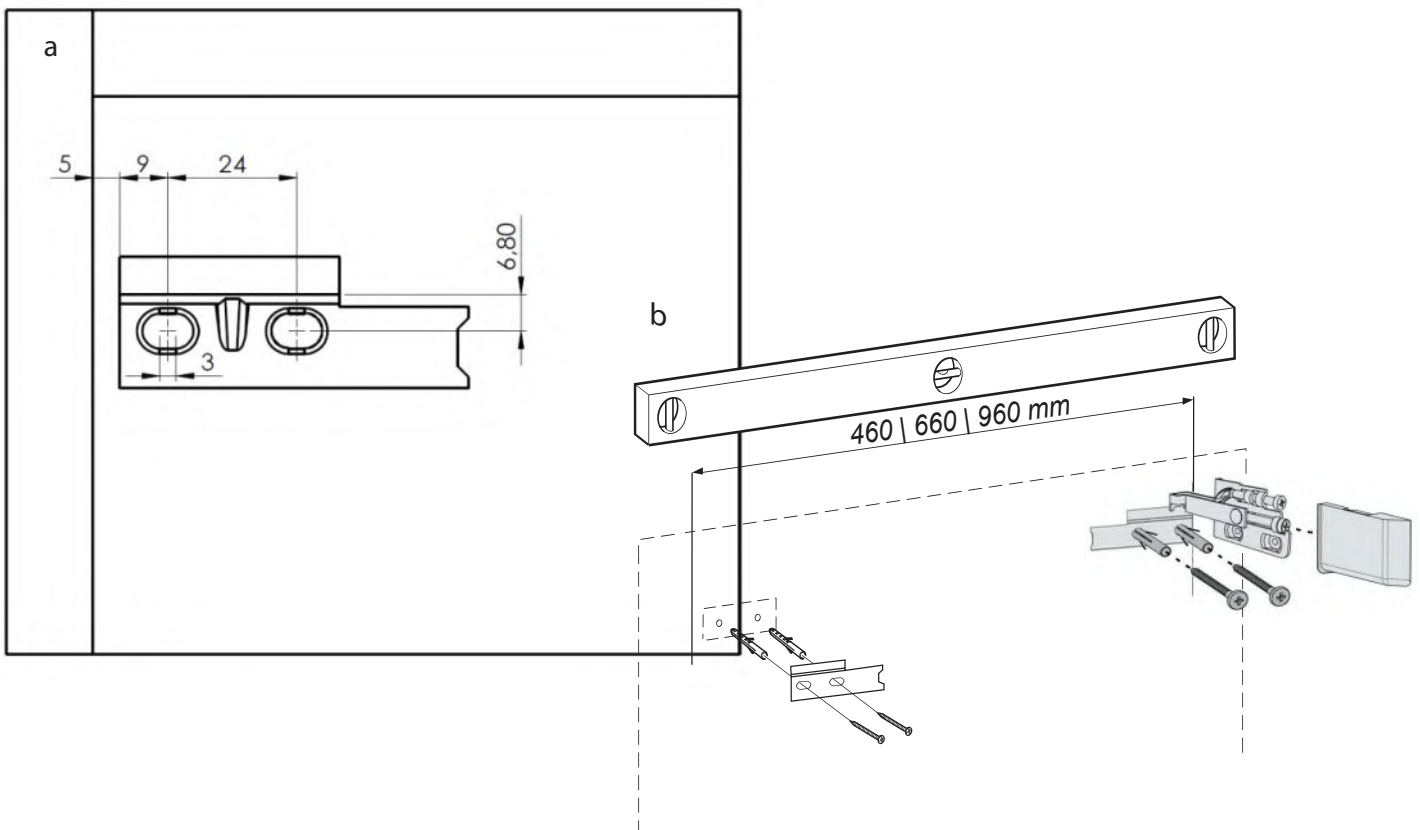
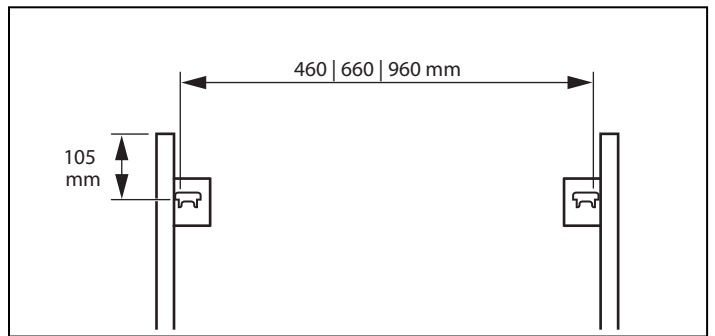
'Wall bracket' installation

Use the measurements above, to position the 'wall brackets'.

a: Important: The measurements given above are the maximum the brackets can be spaced apart, the brackets must fit within that measurement.

b: Mark the bracket fixing holes onto the wall. Drill $\varnothing 8\text{mm}$ holes, insert the wall plugs supplied on solid walls, use suitable wall fixings for dry-wall

Important: If the basin unit and/or basin are not fitted level this may result in the basin not draining correctly.

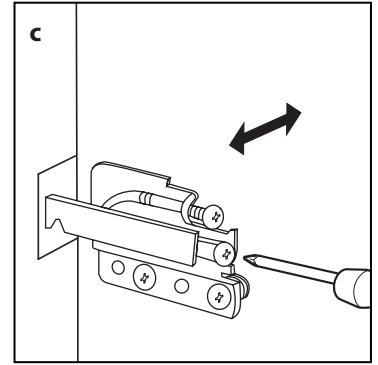
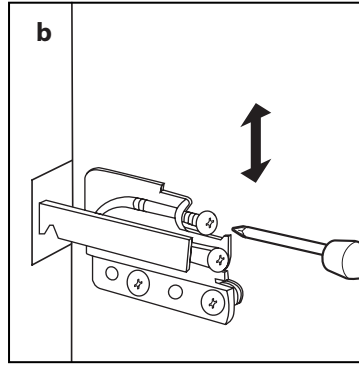
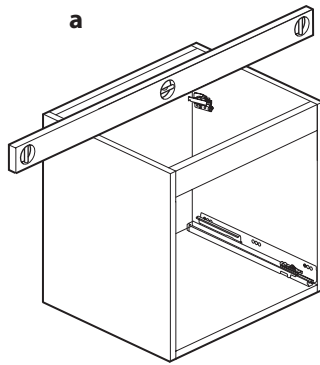


STEP 4

a: Check the unit is level
If levelling is required,
use a screwdriver to
adjust the hanging
position, as follows:

b: To lift or lower the
unit, adjust the screw
shown.

c: To move the unit closer
or further from the wall,
adjust the screw shown.



STEP 5

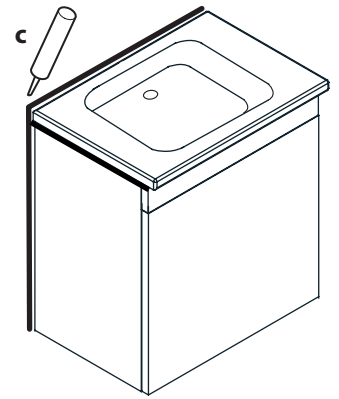
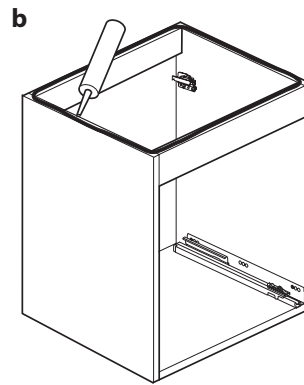
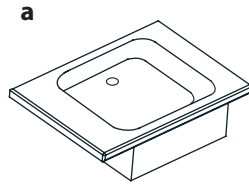
a: Attach the tap to basin and
carefully bed in the waste using
silicone only.

b: Carefully apply silicone to the
top edges of the unit.

c: Carefully position the basin
down onto the unit, ensure it is
centrally positioned and flush at
the back.

Connect the tap and waste.
Apply a bead of silicone to the
join between the basin/unit and
wall, on all 4 sides.

Leave silicone, 24 hours to dry.



Basin installation

a: Prepare worktop for tap/s
and basin. Cut holes where
required using a suitable sized
hole cutter.

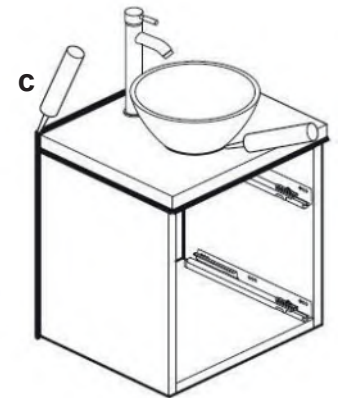
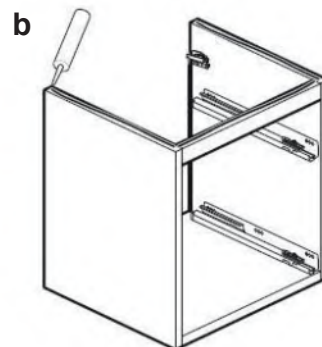
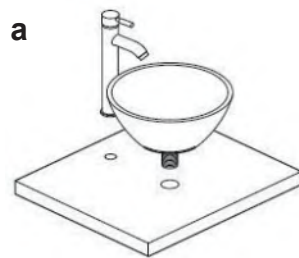
b: Carefully apply silicone to the
top edges of the unit.

c: Carefully position the work-
top down onto the unit, ensure
it is centrally positioned and
flush at the back.

Connect the tap and waste.
Apply silicone to the join
between the worktop and wall,
down sides of the unit and
around the base of the basin.

Apply silicon where the basin
overhangs the carcass.

Leave silicone, 24 hours to dry.

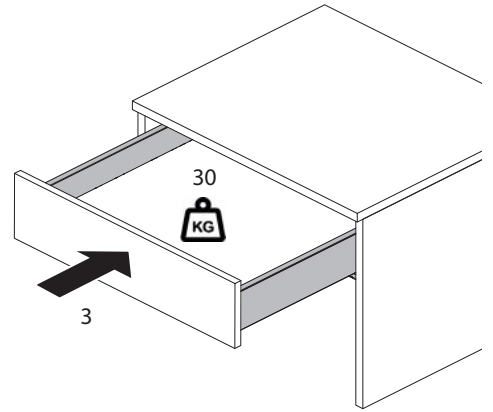
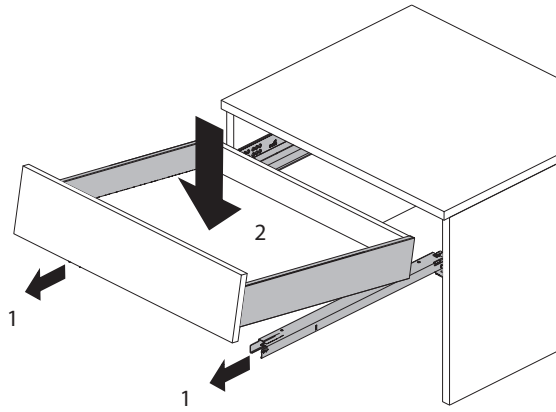
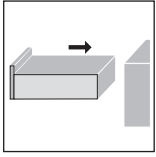


Worktop / Basin Installation

Note: Basin waste and taps fittings when over tightened can create stress within the basin material which may in time cause the failure of the product. Waste fittings should be carefully bedded in silicone and the back nut hand tightened an additional quarter turn using a suitable spanner is sufficient to create the required watertight seal. Care should also be taken when fitting brassware to tap platforms in order to prevent similar stress related failures

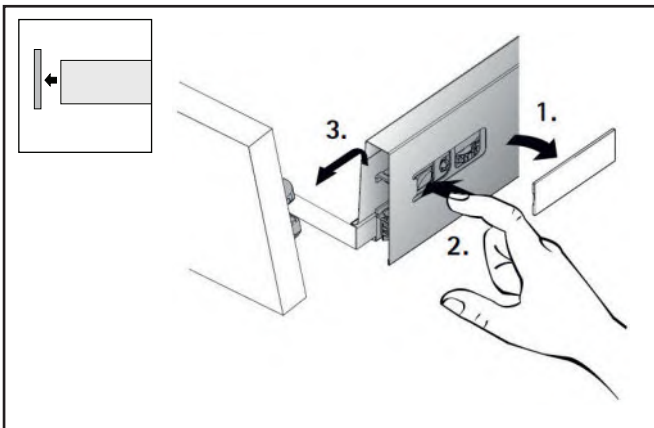
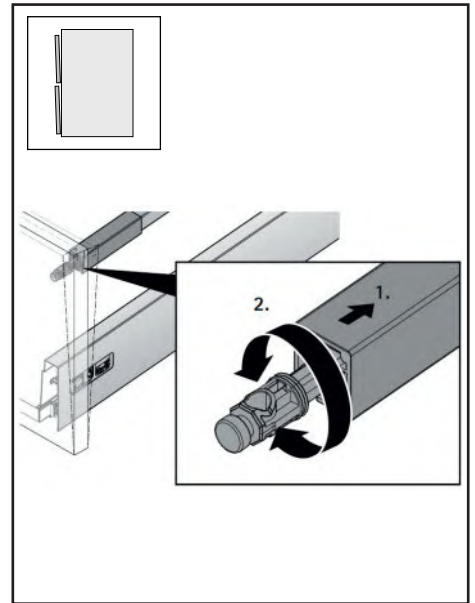
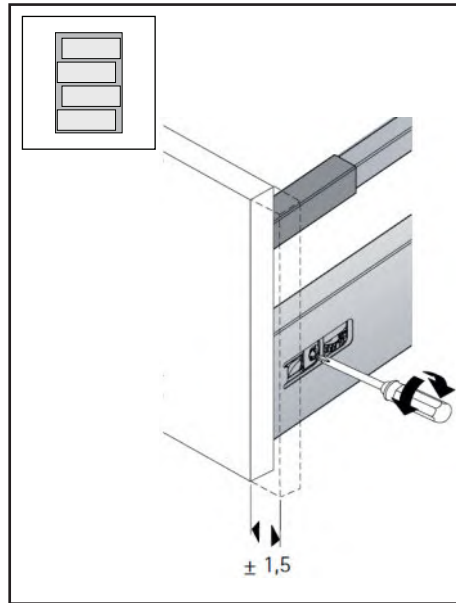
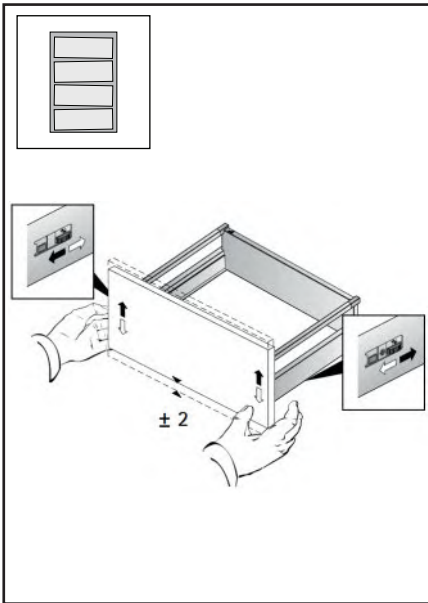
STEP 6

Re-fit drawer



STEP 7

Runner adjustments



crosswater 

For any further information please contact

Bauhaus on: **0845 873 8840**

Or visit our web-site at:

www.crosswater.co.uk

The manufacturer reserves the right to make technical modifications without prior notice.