

### Features:

- Optimised for UK market, designed to work at pressure range of 0.2 - 5.0bar
- Thermostatic temperature control and automatic stop prevent surges of hot or cold water
- Performance Flow to provide a drenching experience
- Smallest recessed valve on the market, will fit into a 35mm cavity space
- Ceramic disc - for smooth operation and added durability

### Product Certifications:



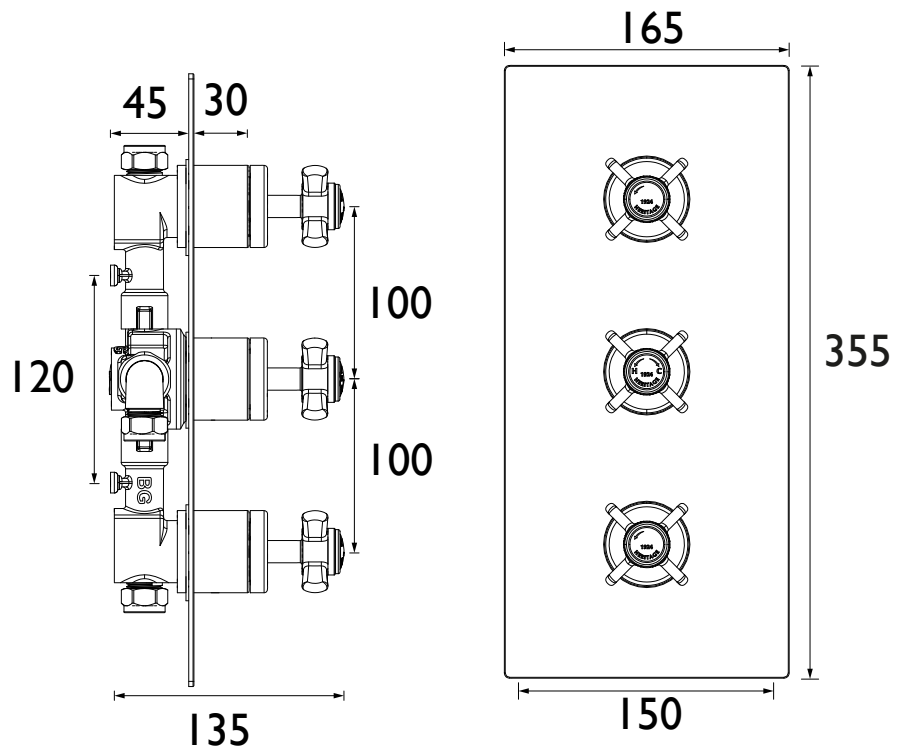
WRAS Certificate No: 2007908  
WRAS Expiry Date: 31/07/2025

### Additional Information:

### Specification

|  |   |
|--|---|
| Finish/Colour:                           | Chrome Plated                                       |
| Main Construction Material:              | Brass   |
| No of Controls:                          | 3   |
| Shower Type:                             | Recessed Dual Control                               |
| Shower Kit:                              | Valve Only  |
| Valve/Cartridge Type:                    | 3/4" Ceramic Disc Valve - 1/4 turn                  |
| Maximum Hot Water Supply Temperature °C: | 65  |
| Plumbing System Suitability:             | Suitable for all plumbing systems, ideally balanced |
| Minimum Dynamic Pressure (bar):          | 0.2   |
| Maximum Dynamic Pressure (bar):          | 5   |
| Maximum Static Pressure (bar):           | 10  |
| Connection Inlet:                        | 15mm Compression                                    |
| Connection Outlet:                       | G 1/2"  |
| Isolation Valve Included:                | No  |
| Check Valve Included:                    | Yes   |

### Dimensions (measurements in mm)



### Flow Rates (l/min)

| System Pressure (bar)           | 0.2 | 0.5  | 1    | 2    | 3  | 5    |
|---------------------------------|-----|------|------|------|----|------|
| Without Flow Regulators (mixed) | 7.7 | 14.2 | 20.7 | 29.3 | 36 | 46.3 |