

thermo
Sphere

HEATING | WALL
TOWEL RAIL

Excellence in heating **solutions.**

Thank you for your purchase...

This document will provide a step-by-step guide to a perfect installation as well as details on the warranty and how to get Technical Support should you need it.

To ensure a safe, hassle-free installation to be proud of please take the time to read this guide in full before you start. We've taken the time to highlight any potential pitfalls and common errors so you can avoid them and get the job done!

This product is covered by a 5 year warranty, subject to terms and conditions. Be sure to keep the receipt as proof of purchase, this will be required to validate your 5 year warranty.

Please complete the Customer Handover section on page 11 in full so that the customer has all the information they need to complete the online warranty form and register their ThermoSphere 5 year Warranty.

If you have any questions about your ThermoSphere Towel Rail or any of our other products call our Technical Support team on 0800 019 5899.

Warranty terms & conditions

The ThermoSphere 5 year Warranty guarantees ThermoSphere Towel Rails to remain free from defects in workmanship and materials under normal use and maintenance, and is guaranteed to remain in full working order subject to the conditions and limitations below:

ThermoSphere Guarantee applies:

1. Only if the product is registered, and the registration information is received and documented by ThermoSphere, within 60 Days after purchase. You can register your product by completing the form online at www.thermosphere.com. Proof of purchase must be presented to make a claim, so please ensure that you keep a copy of both your invoice and purchase receipt in a safe place. Such invoice/receipt should clearly state the model that has been purchased and be in legible condition so as to aid in identifying the system; and
2. Only if the ThermoSphere Towel Rail has been properly earthed and protected by a Residual Current Device (RCD) at all times.

This guarantee does not cover any thermostats as these are covered by a separate 3 year warranty from the date of purchase.

The guarantee period starts on the date of purchase but the registration is only confirmed only when a letter or email of confirmation is sent by Thermogroup Ltd.

Should it be required, ThermoSphere will arrange for the towel rail to be repaired or (at the discretion of Thermogroup Ltd) have parts replaced free of charge. The cost of repair will only cover the cost of replacement Thermogroup Ltd parts and/or repair to damaged Thermogroup Ltd parts and products. Any damage to walls, ceilings or floors are not covered by The ThermoSphere guarantee.

Please Note: Full Terms and Conditions are available on request.

Email hello@thermosphere.com to request your copy or give us a call on 0800 019 5899



Find us on social media and share your installation photos!

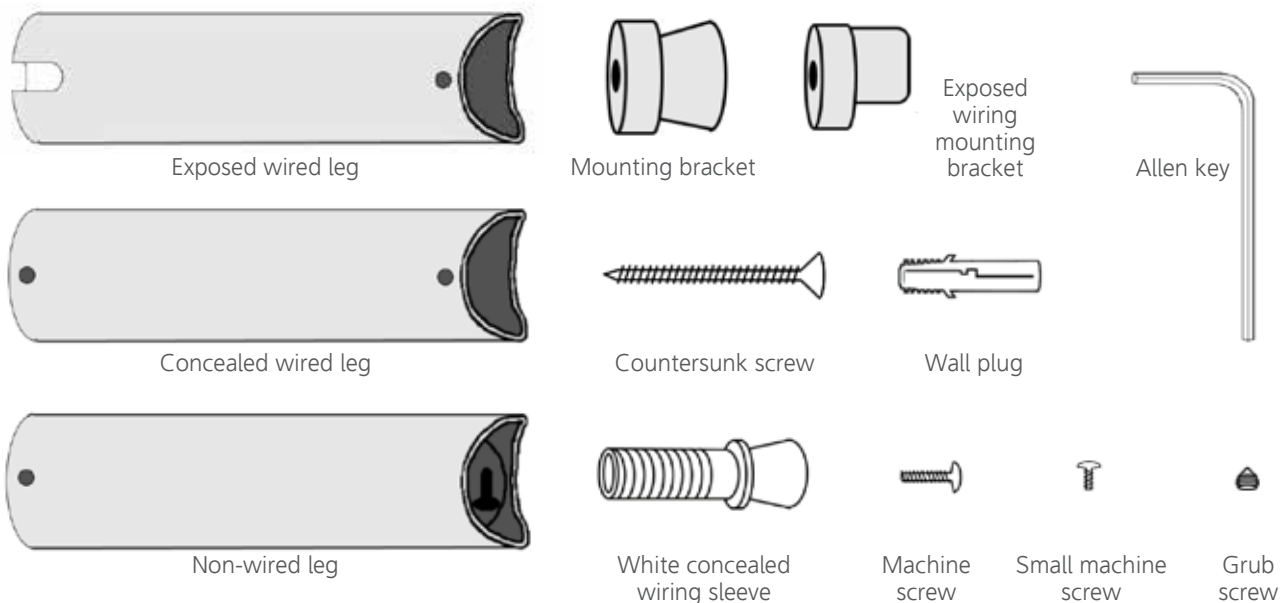
Contents

Preparation	What's in the box	4
Installation	Concealed wiring installation	5
Installation	Exposed wiring installation	7
Information	Technical specifications	9
Warnings	Safety and care information	10
Finalise	Warranty information	11

Preparation: What's in the box

Check you've got everything:

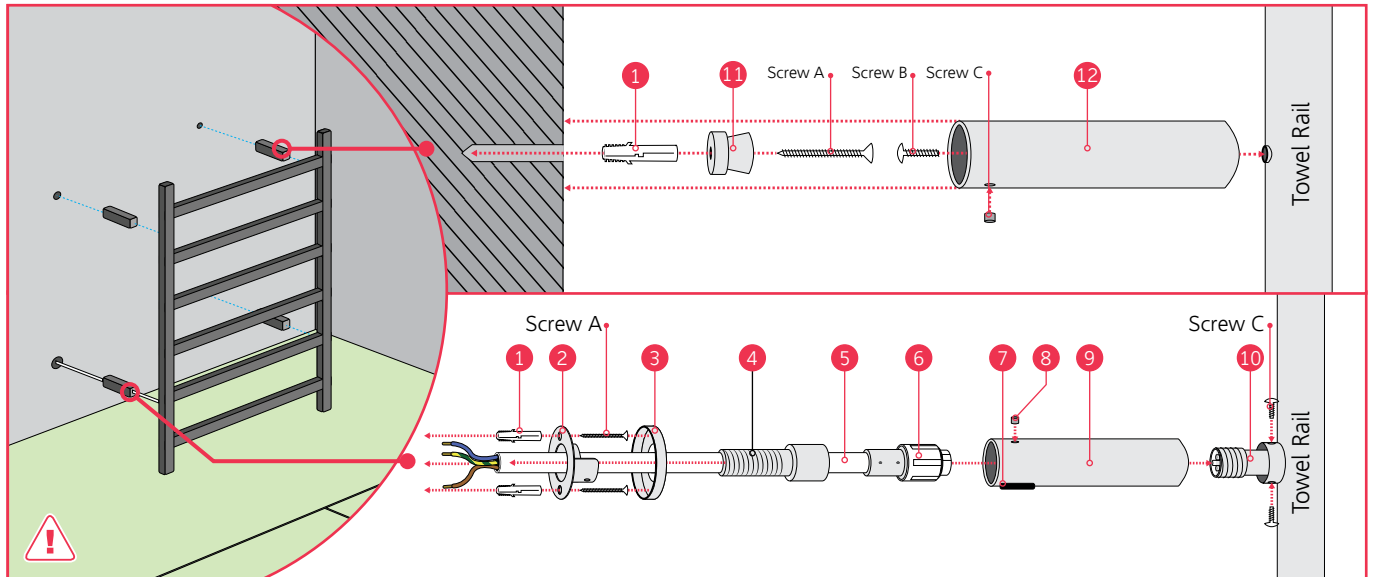
- ThermoSphere Towel Rail
- Towel rail connection wire
- Leg Kit including:
 - 2 x Non-wired legs
 - 1 x Exposed wired leg
 - 2 x Concealed wired legs
 - 1 x White concealed wiring sleeve (Supplied inside the leg)
 - 3 x Mounting brackets (Supplied inside the leg)
 - 1 x Exposed wiring mounting bracket
 - 4 x Wall plugs
 - 4 x Countersunk screws
 - 2 x Machine screws
 - 4 x Small machine screws
 - 4 x Grub screws (Supplied inside the leg)
 - 1 x Allen key



You will also need:

- Cross head screwdriver
- Pencil
- Spirit level
- Tape measure
- Drill bits (6mm & 12mm)
- Cordless drill
- Electrical supply

Installation: Concealed wiring installation

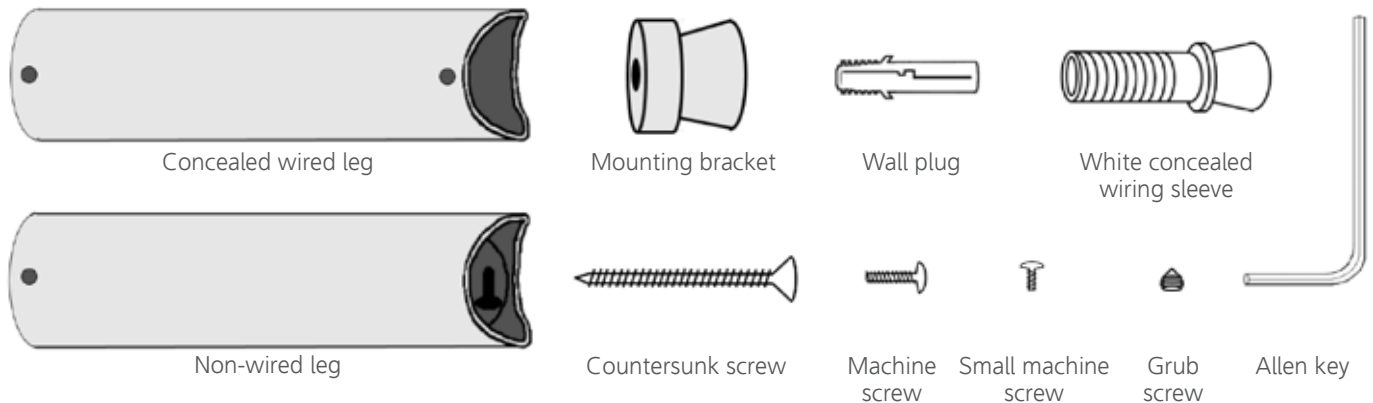


- KEY**
- 1 Rawl Plugs
 - 2 Mains Wall Bracket
 - 3 Wall Bracket Cap
 - 4 Cable Wall Sleeve
 - 5 Mains Cable
 - 6 Flex Male
 - 7 Black Grommet
 - 8 Grub Screw
 - 9 Mains Wall Mount Arm
 - 10 Flex Female
 - 11 Wall Bracket
 - 12 Wall Mount Arm

The rail models in this guide can be installed with either concealed or exposed wiring, with the electrical supply connected at the bottom or top, left or right hand mounting point. This section concentrates on the concealed wiring method. For exposed wiring see page 7.

1. Collect the parts you need

Ensure that you have all the correct parts needed for concealed wiring installation of this towel rail. Pictured below are the parts needed. The remaining parts are only used for exposed wiring installations so can be disposed of.



2. Fix the legs to the rail

First, decide which side you want to connect the electrical supply to and then allocate the appropriate legs to each of the three remaining mounting points. Remove the mounting brackets from inside the legs by releasing the grub screws with the allen key provided. Attach the two non-wired legs to the rail using the machine screws and a cross head screw driver. Attach the third leg to the non-wired point at the bottom of the rail using two of the small machine screws and a cross head screwdriver.

Installation: Concealed wiring installation

Plan and measure your installation

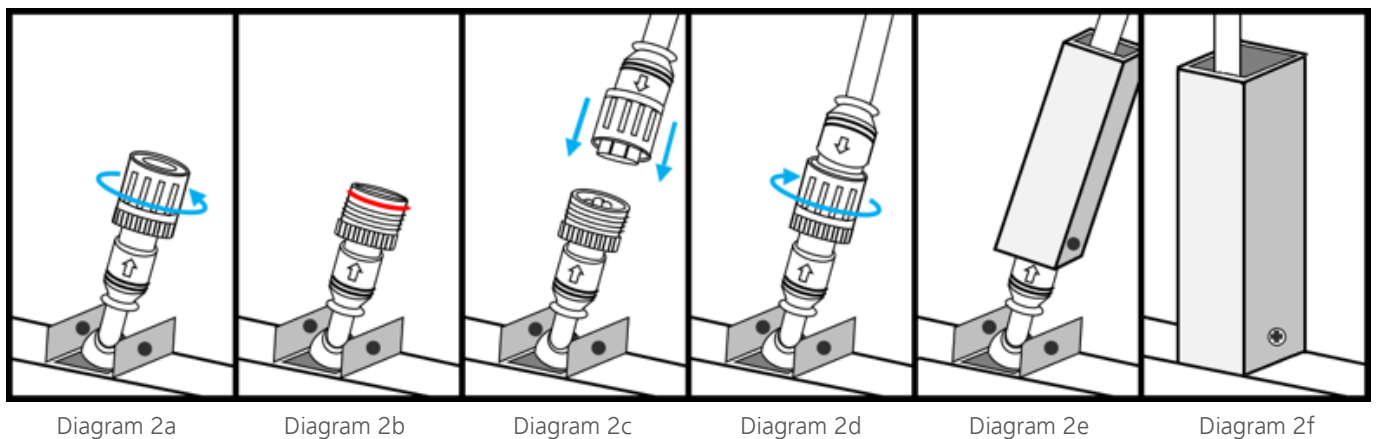
Measure and mark out the four wall bracket positions making sure they are level. The easiest way to mark this is to put some masking tape or similar at the location of the four mounting positions and then hold the rail against the wall and once it is straight and level mark the four leg footprints on the tape. We recommend that the heated towel rail is installed at least 600mm above the floor.

4. Install the wall brackets

Drill a pilot hole in the centre of each of the three marked mounting positions and insert the wall plugs provided. Now fix the three wall brackets in place using the countersunk screws and a cross head screwdriver. In the fourth position drill a larger hole (12mm) for the electrical cable.

5. Connect mains power & wall bracket

If there is a plug on the power lead you can remove it. Connect the lead to the rail at your chosen position by unscrewing the screw cap (See Diagram 2a.), pulling out the cap, lifting from the red ring (See Diagram 2b.) inserting the lead into the connection point ensuring that the pins match up correctly using the arrows marked (See Diagram 2c.) and tighten the screw cap (See Diagram 2d.). Slide the concealed wiring leg over the electrical cable (See Diagram 2e.) and fix in place using the small machine screws and a cross head screw driver (See Diagram 2f.).



Plan and measure your installation

Test A: Ensure your connection is pushed in fully and screw cap is screwed on tightly with the arrows matching up. Once checked tick this on page 11.

6. Connect to mains supply

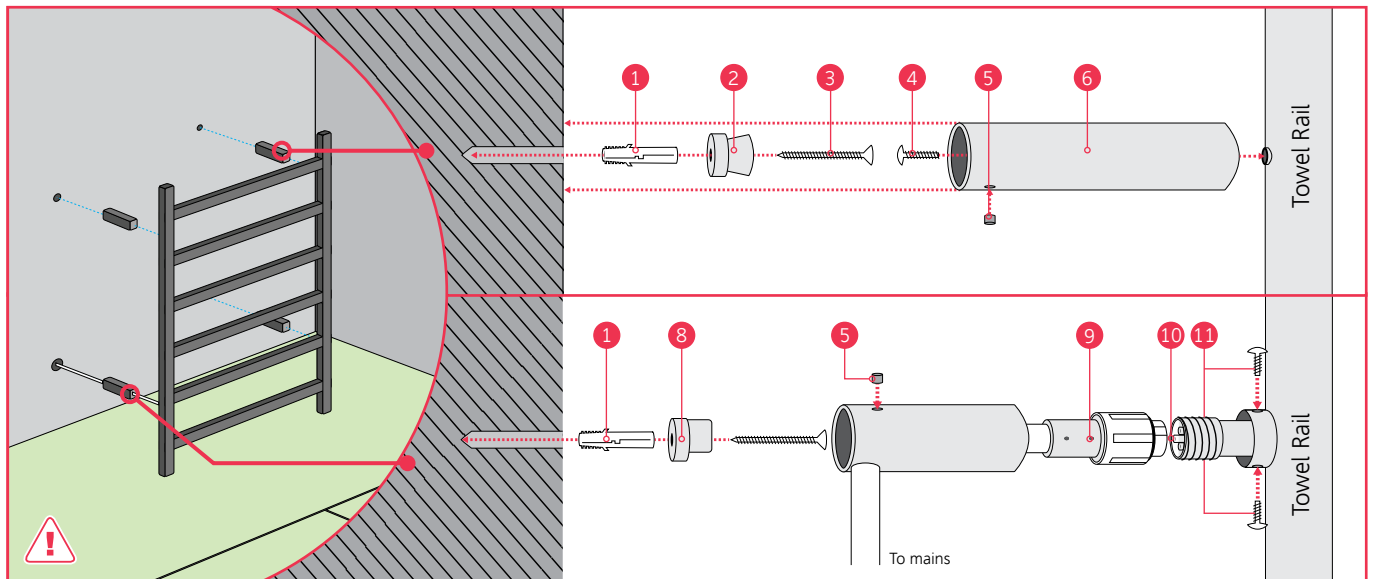
Ensure the mains power supply is switched off before attempting to carry out any electrical work. Slide the concealed wiring sleeve over the exposed end of the mains cable and insert into the hole in the wall. Connect to the mains supply in accordance with current electrical regulations.

Test B: Ensure you have 240Volt power at the connection point between your ThermoSphere Heated Towel Rail and the mains supply. Once checked tick this on page 11.

7. Fix towel rail to the wall

Fit the towel rail to the mounting brackets installed on the wall. You may need assistance to hold the rail in place. Tighten using the grub screws with the allen key provided.

Installation: Exposed wiring installation

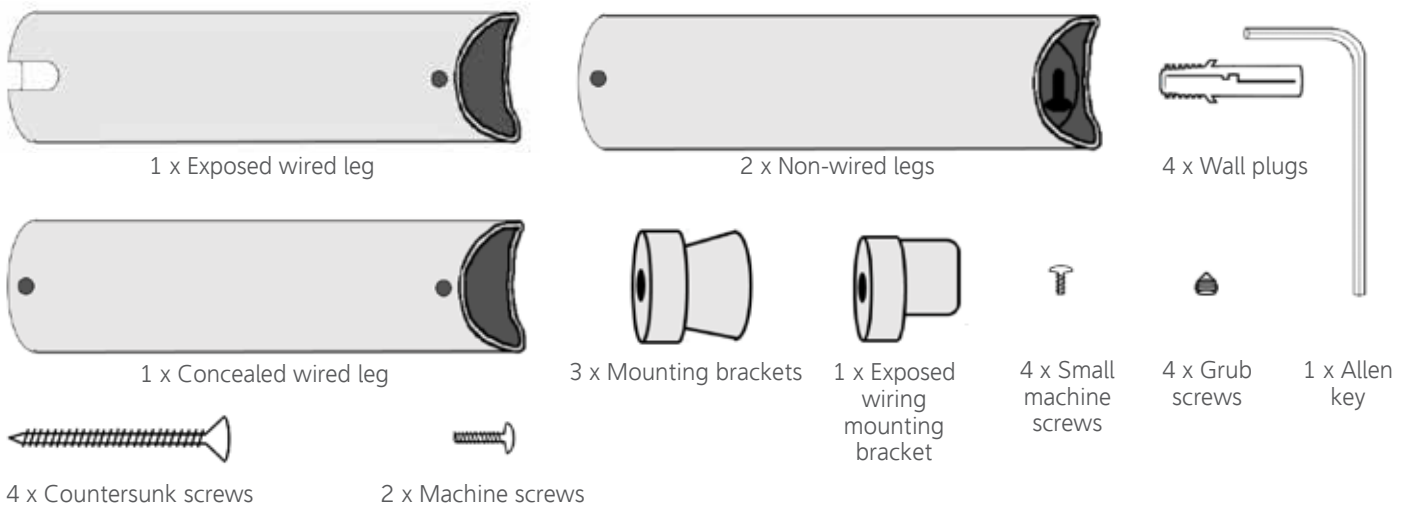


- KEY**
- 1 Wall plug
 - 3 Countersunk screw
 - 5 Grub screw
 - 7 Electrical cable
 - 9 Flex connection - male
 - 11 Small machine screw
 - 2 Mounting bracket
 - 4 Machine screw
 - 6 Rail leg
 - 8 Exposed wiring
 - 10 Flex connection - female

The rail models in this guide can be installed with either concealed or exposed wiring, with the electrical supply connected at the bottom or top, left or right hand mounting point. This section concentrates on the exposed wiring method. For concealed wiring see page 5.

1. Collect the parts you need

Ensure that you have all the correct parts needed for exposed wiring installation of this towel rail. Pictured below are the parts needed. The remaining parts are only used for concealed wiring installations so can be disposed of.



2. Fix the legs to the rail

First, decide which side you want to connect the electrical supply to and then allocate the appropriate legs to each of the three remaining mounting points. Remove the mounting brackets from inside the legs by releasing the grub screws with the allen key provided. Attach the two non-wired legs to the rail using the machine screws and a cross head screw driver. Attach the third leg to the non-wired point at the bottom of the rail using the small machine screws provided.

Installation: Exposed wiring installation

Plan and measure your installation

Measure and mark out the four wall bracket positions making sure they are level. The easiest way to mark this is to put some masking tape or similar at the location of the four mounting positions and then hold the rail against the wall and once it is straight and level mark the four leg footprints on the tape. We recommend that the heated towel rail is installed at least 600mm above the floor.

4. Install the wall brackets

Drill a pilot hole in the centre of each of the three marked mounting positions and insert the wall plugs provided. Now fix the three wall brackets in place using the countersunk screws and a cross head screwdriver. In the fourth position drill a larger hole (12mm) for the electrical cable.

5. Connect mains power & wall bracket

If there is a 3 pin plug present you can remove it. Connect the lead to the rail at your chosen position by unscrewing the screw cap (See Diagram 2a.), pulling out the cap, lifting from the red ring (See Diagram 2b.) inserting the lead into the connection point ensuring that the pins match up correctly using the arrows marked (See Diagram 2c.) and tighten the screw cap (See Diagram 2d.). Slide the concealed wiring leg over the electrical cable (See Diagram 2e.) and fix in place using the small machine screws and a cross head screw driver (See Diagram 2f.).

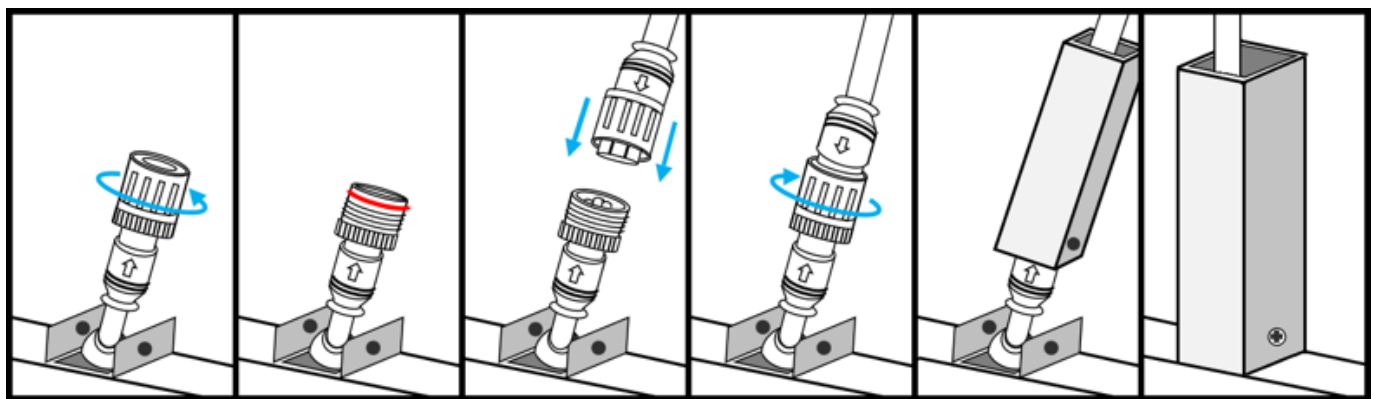


Diagram 2a

Diagram 2b

Diagram 2c

Diagram 2d

Diagram 2e

Diagram 2f

Test A: Ensure your connection is pushed in fully and screw cap is screwed on tightly with the arrows matching up. Once checked tick this on page 11.

7. Fix towel rail to the wall

Fit the towel rail to the mounting brackets installed on the wall. You may need assistance to hold the rail in place. For the three non-wired mounts, tighten using the grub screws and the allen key provided. In the wired position, secure using a small machine screw and a cross head screw driver.

Test B: Ensure you have 240Volt power at the connection point between your ThermoSphere Heated Towel Rail and the mains supply. Once checked tick this on page 11.

Information: Technical specifications

Stock code	H x W (mm)	Type	Profile	Finish	Output (W)
HTR-R-0700530	700 x 550	Ladder	Round	Polished	76
HTR-R-1120530	1120 x 530	Ladder	Round	Polished	80
HTR-R-1120400	1120 x 400	Ladder	Round	Polished	65
HTR-RC-0800600	800 x 600	Ladder	Curved Round	Polished	80
HTR-RC-0800600	800 x 600	Ladder	Square	Polished	83
HTR-F-1080600	1080 x 600	Floor Standing	Round	Polished	85
HTR-F-0900590	900 x 590	Floor Standing	Square	Polished	119
HTR-S-0435500	435 x 500	Swivel	Round	Polished	45
HTR-S-0725515	725 x 515	Swivel	Round	Polished	60

Technical data

Supply Voltage	240V 50Hz
Wiring Side	Left or Right
Wiring Method	Hardwired
Warranty	5 years

Warnings: Safety and care information

Safety Information

ThermoSphere Heated Towel Rails should be installed and tested by a qualified electrician and in accordance with current local regulations. We recommend that the rail is installed onto a flat uniform wall at least 600mm from the floor and with a 300mm clearance from permanent fixtures. Where possible the rail should be screwed into studs or suitable anchors should be used to ensure rail is secure.

Please read and understand this installation guide in full before commencing installation.

- Observe and adhere to electrical guidelines and IP ratings when placing your rail in wet areas
- Ensure any timers or switches used are installed in correct zones according to the IP rating of the timer/switch
- Ensure that your rail is protected by a suitably rated RCD circuit
- Do not use the towel rail to hold towels or other articles that have been in contact with oil, petroleum based products or dry cleaning fluids
- This appliance is intended to warm and dry towels and therefore is hot to touch. When near young children, elderly or infirm persons, close supervision is necessary.
- Do not immerse your rail in any liquid

Care Information

The Stainless Steel finish of your ThermoSphere Heated Towel Rail is hard wearing and easy to maintain. However any harsh scrubbing, scratching or acid based cleaning products will damage the surface of your towel rail. Cleaning with a soft cloth and a non-abrasive cleaning agent will give the best results.

Warranty registration

The ThermoSphere towel rail warranty against manufacturing defects is a limited liability warranty and will only apply if the product is registered online.

Online registration must be completed within 60 days of purchase. Failure to complete this form will void the warranty. Proof of purchase is required for any claim.

	Rail SKU	Control Installed	Control SKU	Type of wiring	TEST A	TEST B
0	HTR-R-077530 (Example)	Timer / Isolating Switch / None	DC-W-01	Exposed / Concealed	✓	✓
1		Timer / Isolating Switch / None				
2		Timer / Isolating Switch / None				
3		Timer / Isolating Switch / None				
4		Timer / Isolating Switch / None				
5		Timer / Isolating Switch / None				
6		Timer / Isolating Switch / None				
7		Timer / Isolating Switch / None				
8		Timer / Isolating Switch / None				
9		Timer / Isolating Switch / None				
10		Timer / Isolating Switch / None				

Fill out and sign below to declare that all the information recorded on this form correlates to the installation.

Installer details	Customer details
Name:	Name:
Email:	Email:
Address:	Address:
Postcode:	Postcode:
Phone:	Phone:
Signature:	Signature:

