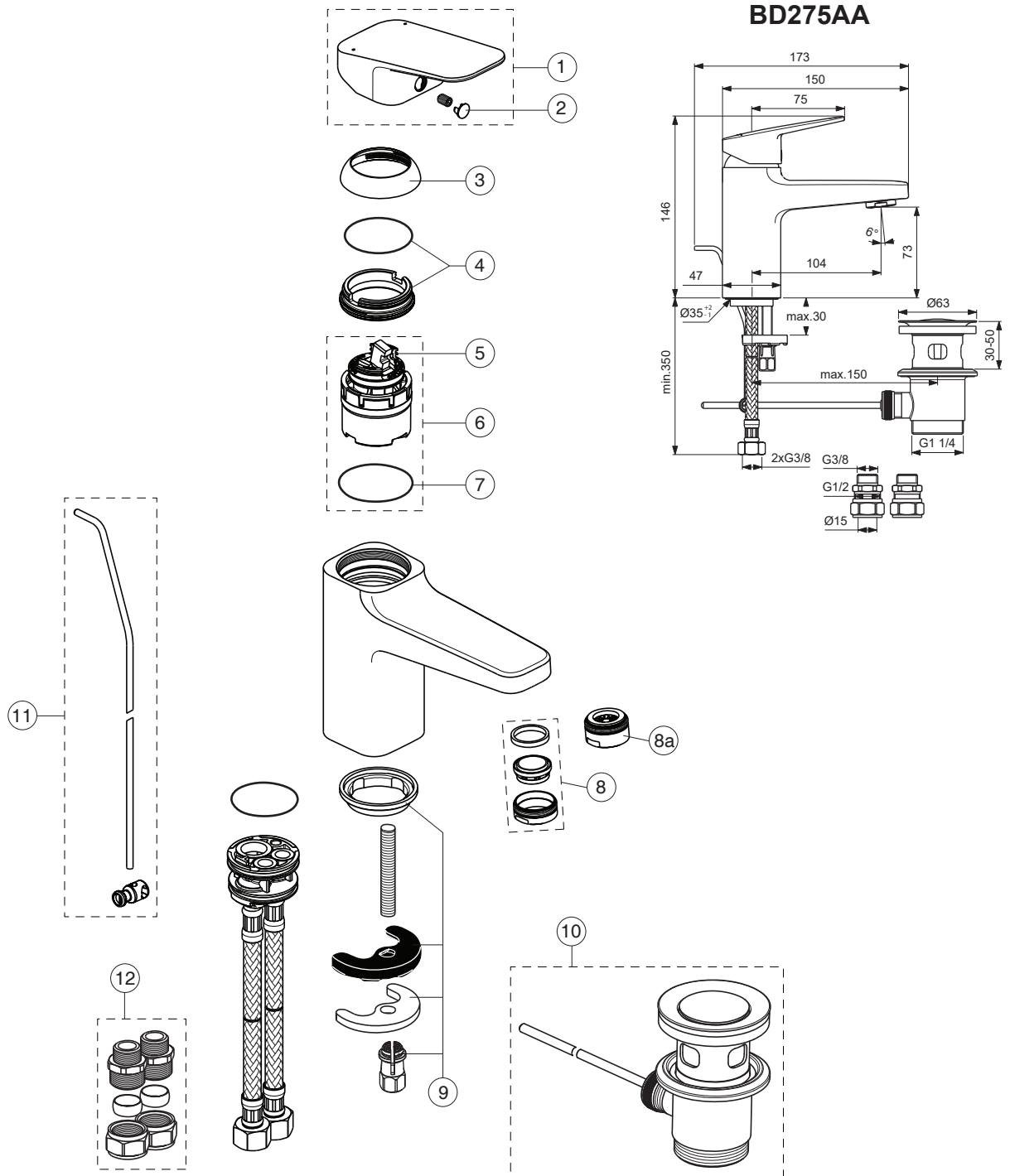




CERAPLAN

Ideal Standard



| Pos. | Signify                   | Spare parts-Nr. | Quantity | Pos. | Signify | Spare parts-Nr. | Quantity |
|------|---------------------------|-----------------|----------|------|---------|-----------------|----------|
| 1    | Lever,w/logo              | B961716AA       | 1 Set    |      |         |                 |          |
| 2    | Cap decorative            | B960473AA       | 1 Pcs.   |      |         |                 |          |
| 3    | Rosette M38x1.5           | B961438AA       | 1 Pcs.   |      |         |                 |          |
| 4    | Screw M4x1.5/M38x1.5      | B961374NU       | 1 Set    |      |         |                 |          |
| 5    | Hot limit stop            | A861181NU       | 1 Pcs.   |      |         |                 |          |
| 6    | Cartridge Ø38mm           | A861156NU*      | 1 Pcs.   |      |         |                 |          |
| 7    | O-Ring Ø38x2.5            | E960059NU*      | 1 Set    |      |         |                 |          |
| 8    | Perlator M24x1-A - 5l/min | B961383AA       | 1 Pcs.   |      |         |                 |          |
| 8a   | Nozzle                    | A961625AA       | 1 Pcs.   |      |         |                 |          |
| 9    | Connecting set            | B961726NU       | 1 Set    |      |         |                 |          |
| 10   | Pop-up drain ass.         | A962991AA       | 1 Pcs.   |      |         |                 |          |
| 11   | Pull-up rod-compl.        | B960900AA       | 1 Set    |      |         |                 |          |
| 12   | Connector G3/8,Ø15-set    | B960845NU       | 1 Set    |      |         |                 |          |

\*Universal set (not all parts needed)

11.2021