

WHITE RING SEAT - NO LID - TOP FIX HINGES



Product Code	STWHTFIXRINGA2
Weight (Kg)	2.6
Material	Plastic
Soft close	No
Colour	White
Fixing	Top Fix

White - STWHTFIXRINGA2

Blue - STDBRING2TFKIT

Grey - STGRTFIXRINGA2



White

Dark blue

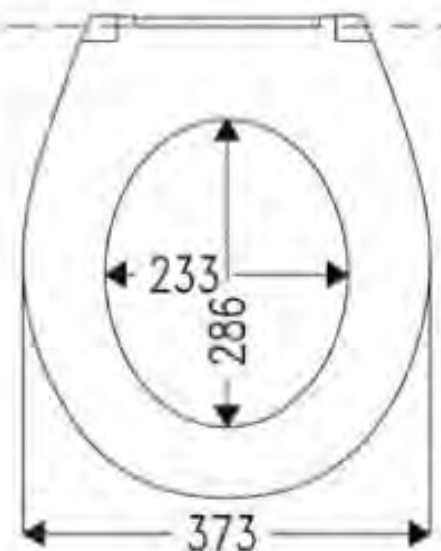
Grey

Key features:

- CE Compliant
- Durable design
- Available in a choice of 3 colours
- Includes top fix hinges (STWHSMGTF)

Description:

Made from highly durable thermoset plastic, this ring seat comes supplied with stainless steel hinges and is perfect for high traffic areas. Its durable design is chemical, flame and scratch resistant.



From 422,5 to 443,5



All dimensions are approximate and subject to normal ceramic variation. Although every effort is made not to change the above product specification, Lecico reserve the right to do so without prior notification if necessary. *Against manufacturers defects. Full information on guarantees available upon request.