

AQUAGLASS+ FRAMELESS QUADRANT OFFSET WITH SINGLE SLIDING DOOR Installation Instructions



LH



RH

FRONTLINE[®]
the complete bathroom

1000x800x1900mm
1200x800x1900mm
1200x900x1900mm

- Please read these instructions in full before installing













IMPORTANT

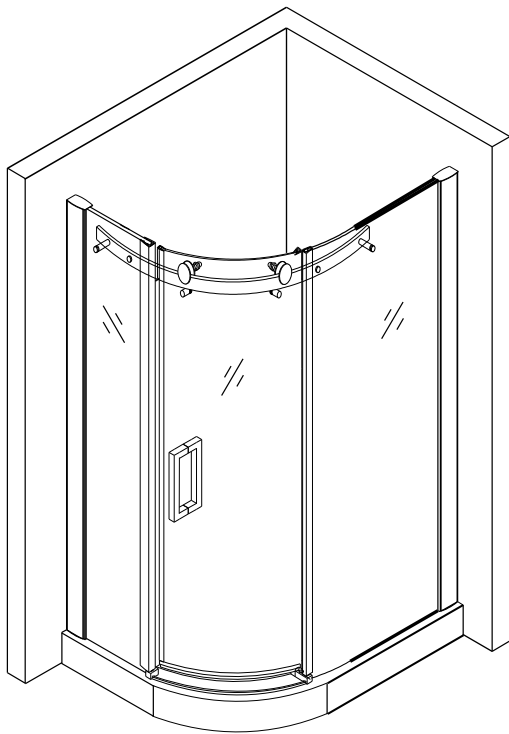
- If this product is installed on top of shower tray, order to achieve a better water proof function, it is strongly suggested that the tray's threshold width is not less than 60mm.
- Check that the tray has been installed to the manufacturer's instructions. Please note - All product is supplied without a tray.
- Opening wall adjustments
 1000x800mm Quadrant Offset - adjustment = (975-1000)x(775-800)mm
 1200x800mm Quadrant Offset - adjustment = (1175-1200)x(775-800)mm
 1200x900mm Quadrant Offset - adjustment = (1175-1200)x(875-900)mm

GENERAL SAFETY INSTRUCTIONS

- Do not fix the wall profile to newly plastered, painted or papered walls as chemical reaction may cause discolouration to the surface finish.
- Important: The wall plugs included in this pack are for solid walls only. If the product is to be mounted on a partition or stud wall, specialised fixings should be purchased separately.
- Fixing tips; A piece of insulating tape or a couple of layers of masking tape applied to the wall before marking out the fixing holes will help stop the drill from wandering, particularly on tiled surfaces.
- When working near a basin or bath insert the plug into the waste, this will help you avoid losing small parts. Also take care not to drop accessories or tools onto the bath or basin, use a towel or bathmat to protect delicate surfaces.
- CAUTION!
 Before drilling into any walls check that there are no hidden cables or pipes. Exercise great care when using power tools near water. The use of a residual current device (RCD) or cordless drill is recommended. Always double check the positioning and measurements before drilling holes.
- This product is heavy and requires two people during lifting and operations.
- Glass is delicate, support on cardboard to minimise risk of damage.

Tools required (not supplied)

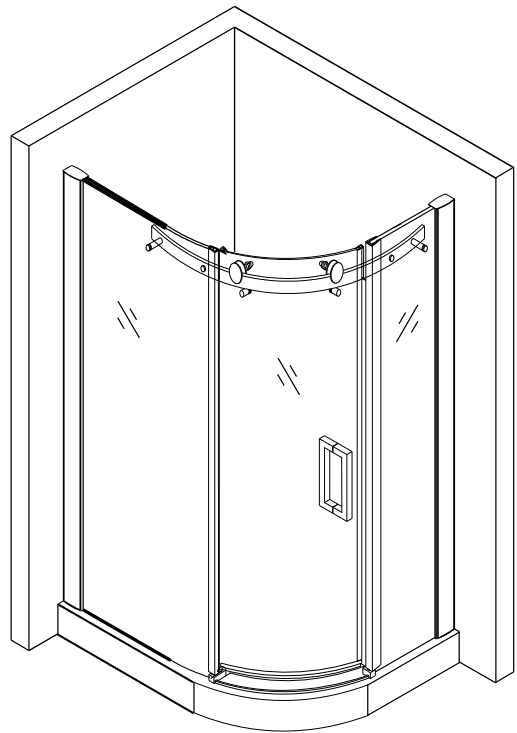
Electric drill		tape measure	
drill(Ø3.2mm)		rubber hammer	
drill(Ø6mm)		knife	
cross tip screw driver		pencil	
spirit level		silicone sealant	
wrench		spanner	



LH



For LEFT hand version application
please proceed to page 3.

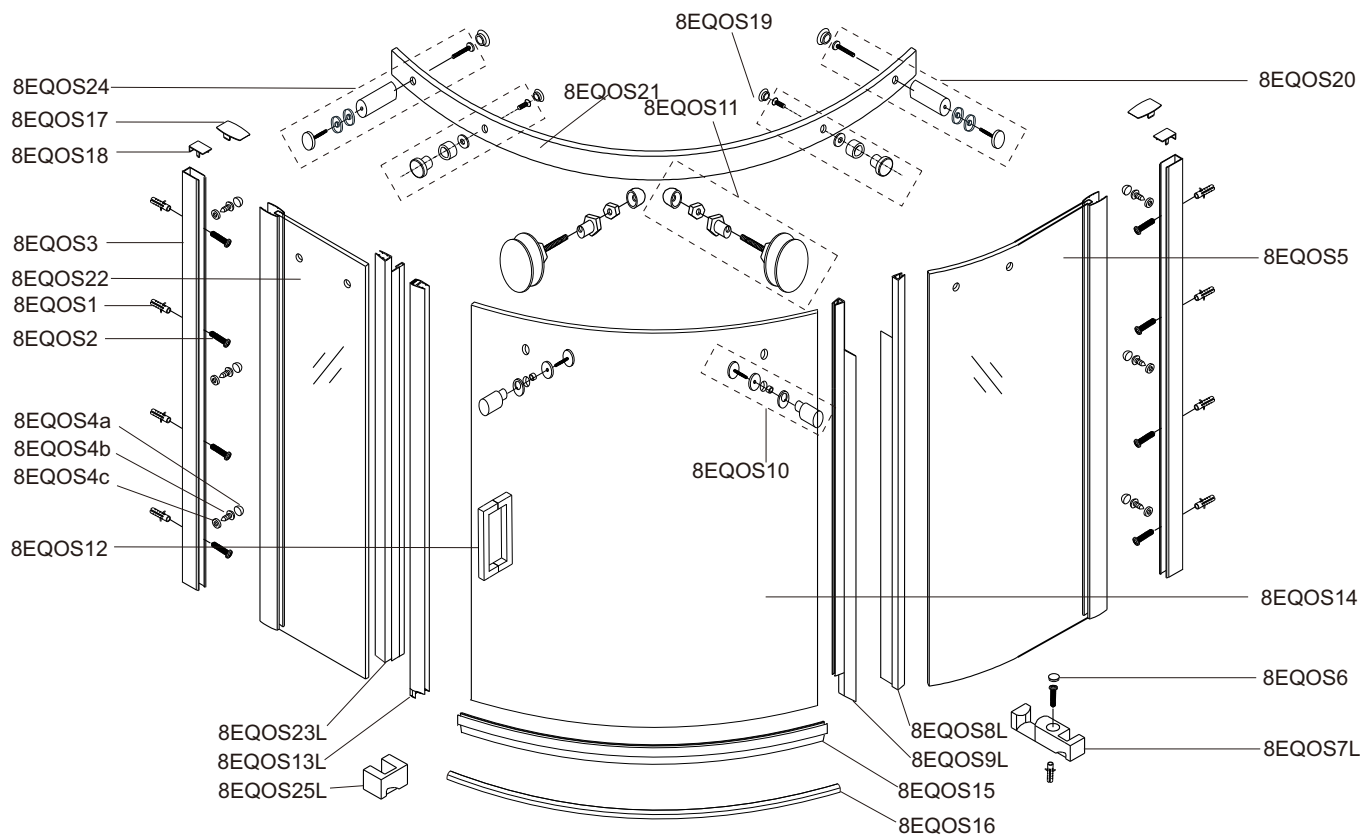


RH



For RIGHT hand version application
please proceed to page 11.

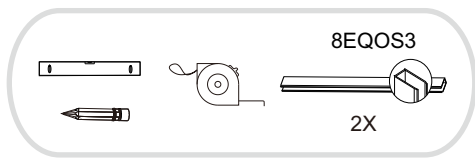
IDENTIFICATION OF PARTS



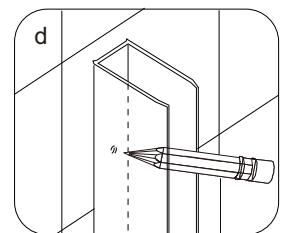
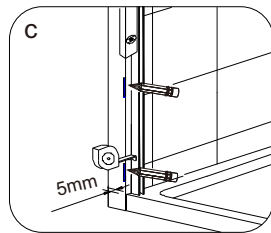
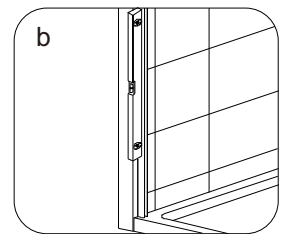
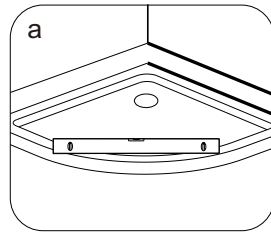
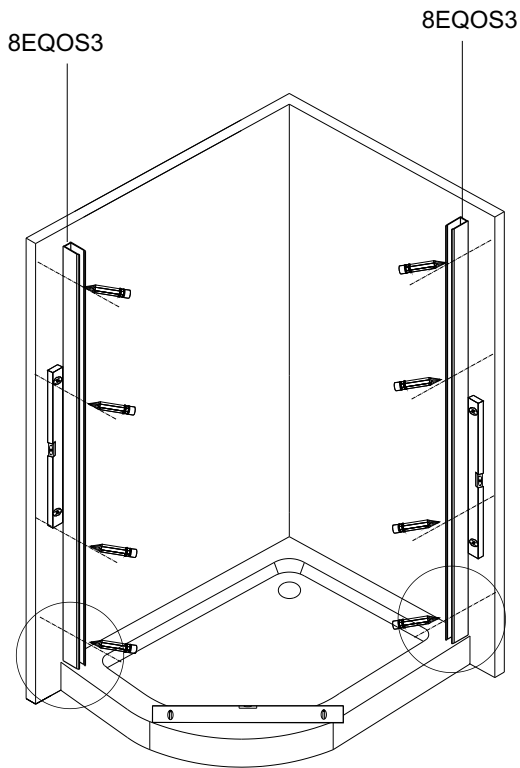
Fixings & fittings supplied

Item No.:	Part	Quantity	Item No.:	Part	Quantity
8EQOS5		x 1	8EQOS12		x 1
8EQOS22		x 1	8EQOS13		x 1
8EQOS14		x 1	8EQOS15		x 1
8EQOS21		x 1	8EQOS16		x 1
8EQOS1		x 9	8EQOS17		x 2
8EQOS2		x 9	8EQOS18		x 2
8EQOS3		x 2	8EQOS19		x 2
8EQOS4		x 6	8EQOS20		x 1
8EQOS6		x 5	8EQOS23L		x 1
8EQOS7L		x 1	8EQOS24		x 1
8EQOS8L		x 1	8EQOS25L		x 1
8EQOS9L		x 1	8EQOS26		x 2
8EQOS10		x 2	8EQOS27		x 1
8EQOS11		x 2			

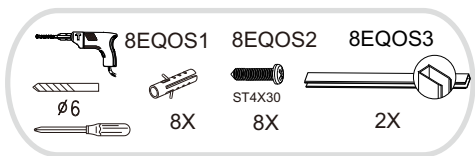
1.



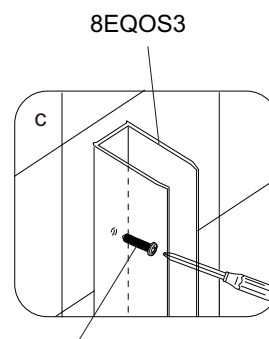
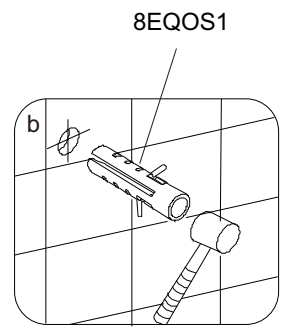
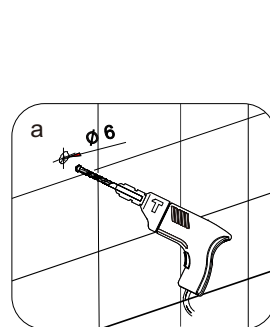
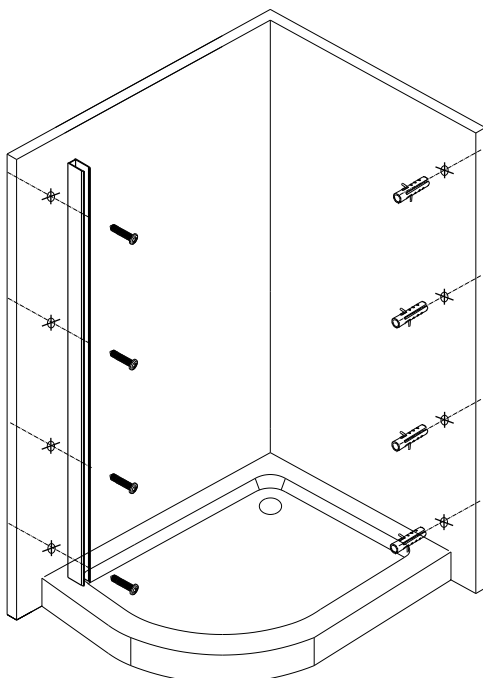
- Take a spirit level to make sure the tray is placed horizontal.
- Put the wall profile(8EQOS3) against the wall and make sure the profile to be 5mm away from the outside edge. Adjust the profile to ensure it vertical by using a spirit level.
- Mark the holes on the wall.



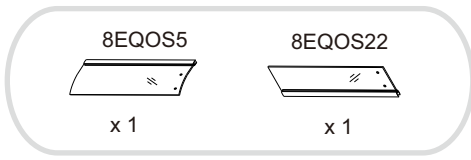
2.



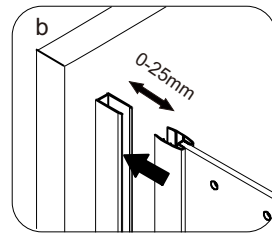
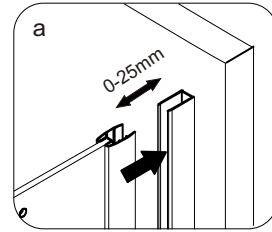
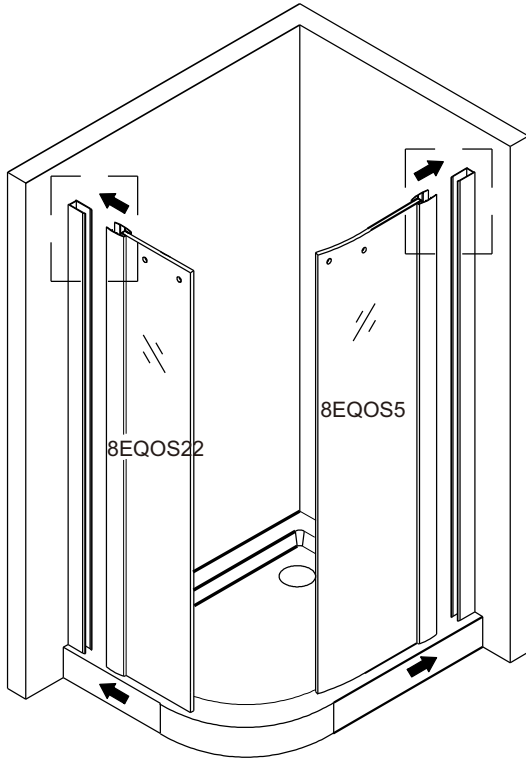
- Drill the holes($\varnothing 6$ mm) according to the marks and insert the wall plugs(8EQOS1) into the holes.
- Fix the wall profiles(8EQOS3) on the wall with screws (8EQOS2).



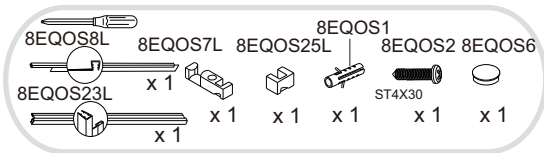
3.



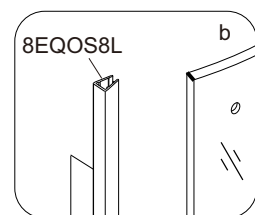
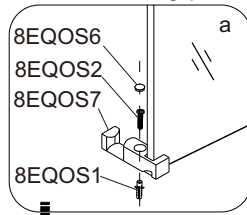
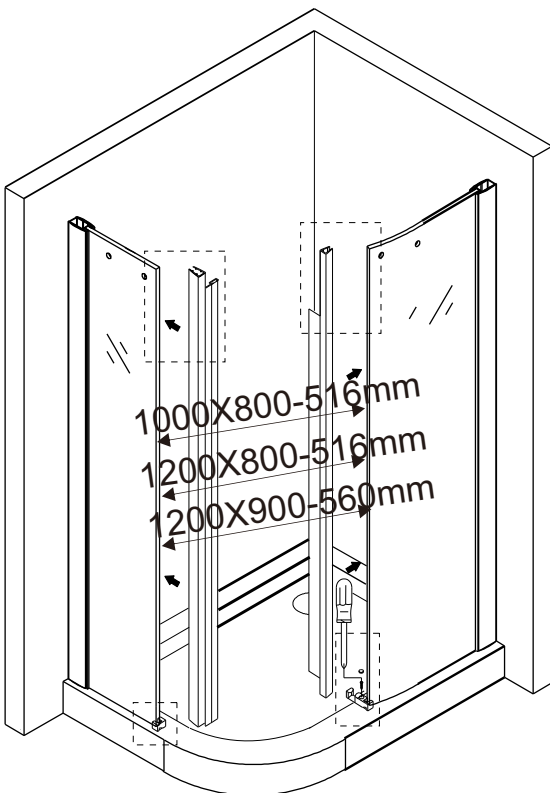
- Insert the big fixing glass panel(8EQOS5) into the right wall profile.
- Insert the small fixing flat glass panel(8EQOS22) into the left wall profile.
- There is 25mm of adjustment on each profile, allowing for the positioning of the frame



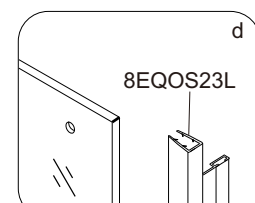
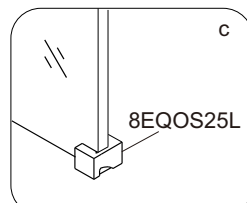
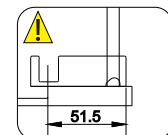
4.



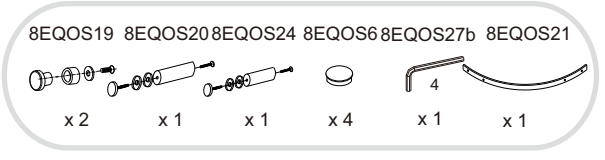
- Put the bottom bracket(8EQOS7L) on the bottom of the big fixing panel „make sure the straight-line distance between two fixing panel is as noted in the drawing, and mark the hole for the bracket.
- Drill the hole(Ø 6 mm) according to the mark and insert the wall plug(8EQOS1) into the hole. Fix the bracket(8EQOS7L) with screw(8EQOS2) on the tray. Put the cover(8EQOS6) on the screw.
- Attach the vertical sealer(8EQOS8L) onto the big fixing panel.
- Locate part(8EQOS25L) on the bottom of the small fixing panel.
- Attach the vertical magnetic sealer(8EQOS23L) onto the edge of small flat fixing panel.



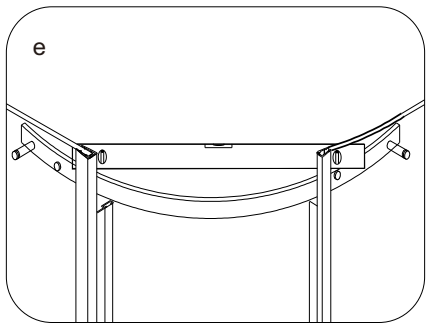
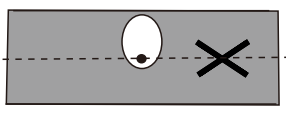
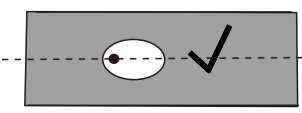
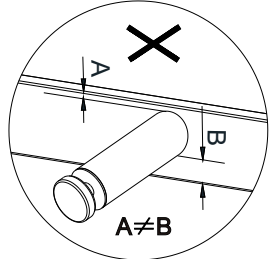
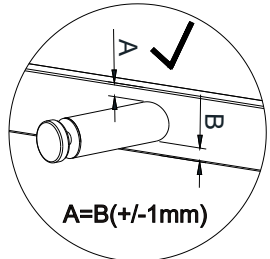
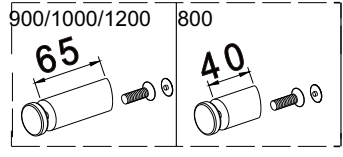
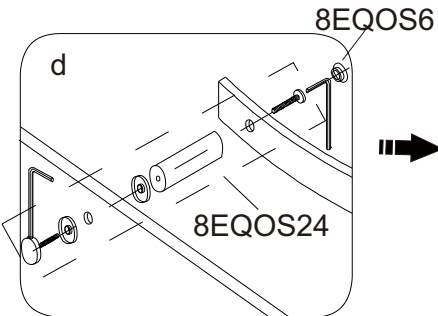
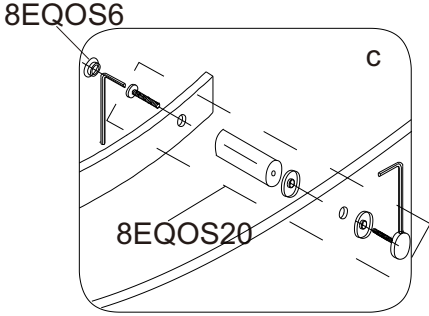
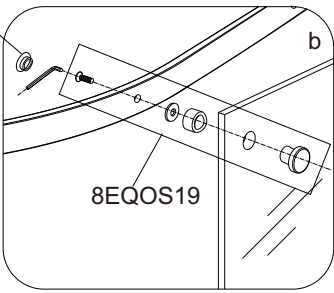
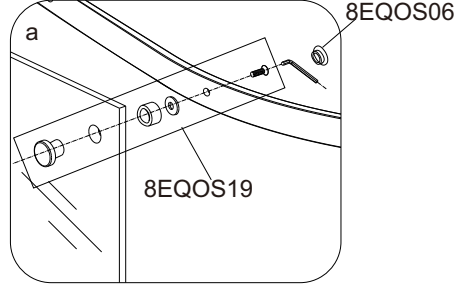
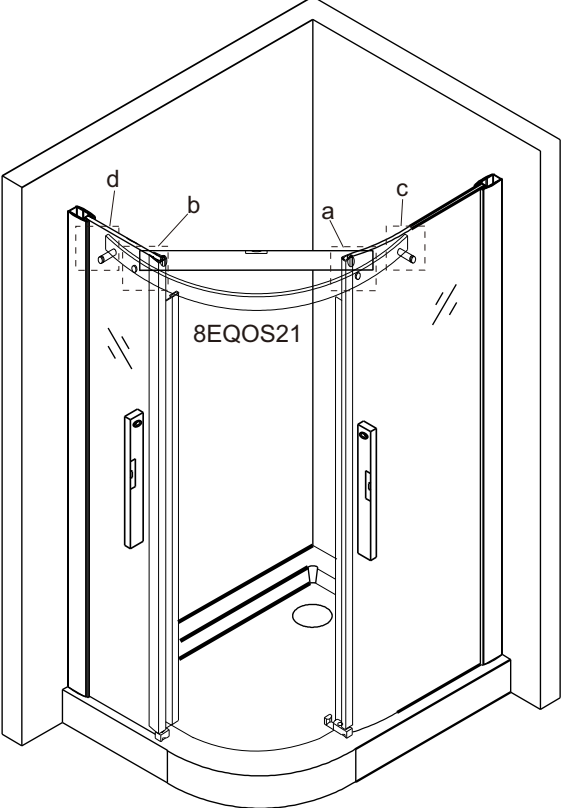
Please note that the width of the bottom bracket which stands on the tray threshold should be no less than 51.5mm.



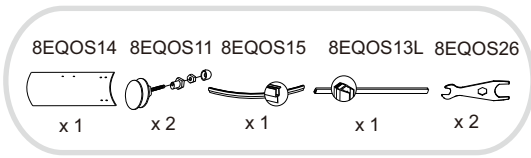
5.



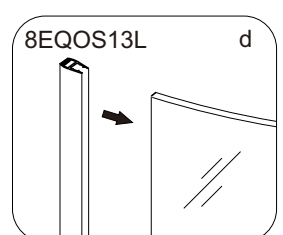
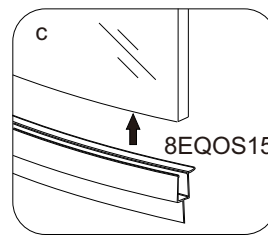
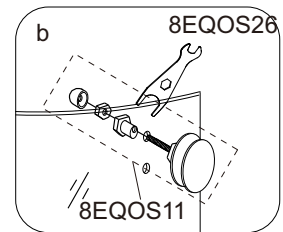
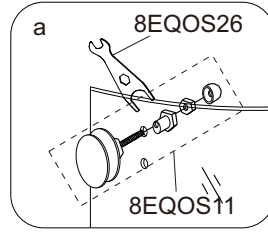
- Adjust the position of vertical profiles and wall profiles to suitable position.
- Mount the rail profile(8EQOS21) by assembling fixing parts(8EQOS19, 8EQOS20, 8EQOS24)on fixing panels.
- Put the covers(8EQOS6) on the back of 8EQOS19, 8EQOS20 and 8EQOS24.
- Make sure the rail profile(8EQOS21) is mounted horizontally with a spirit level.



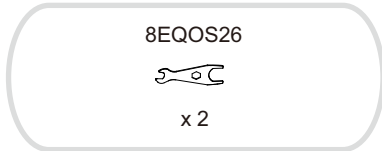
6.



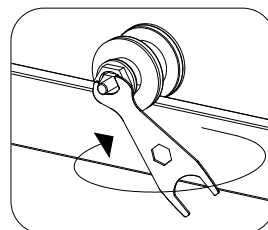
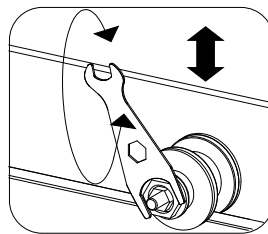
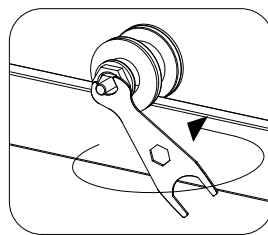
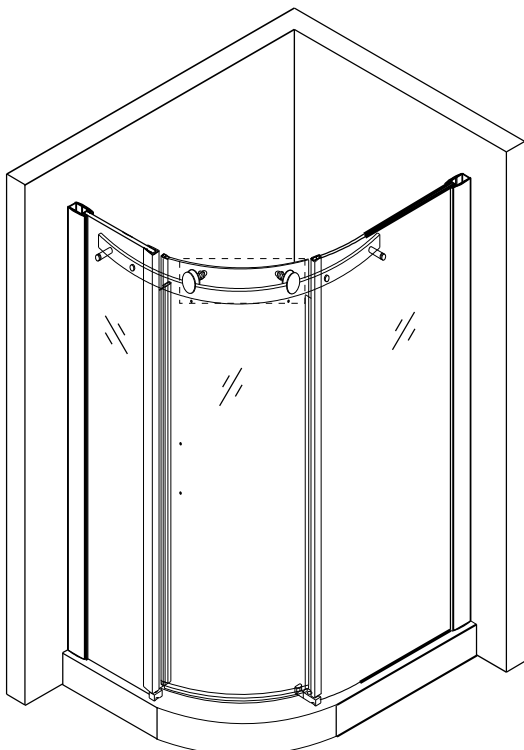
- Assemble rollers(8EQOS11) on the door panel(8EQOS14) with the tool(8EQOS26).
- Attach bottom seal(8EQOS15) on the bottom of the door.
- Attach magnetic seal(8EQOS13L) on the left edge of the door.



7.



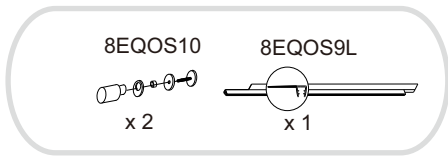
- Put the door panel onto the rail profile.
- Adjust the top rollers to make sure the door panel is vertical.
- The roller's washer is eccentric. Please adjust the eccentric washer to right position and fasten the nut.



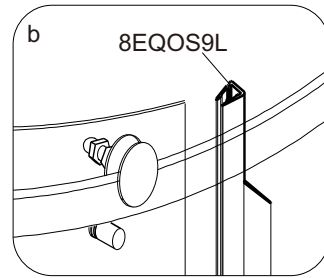
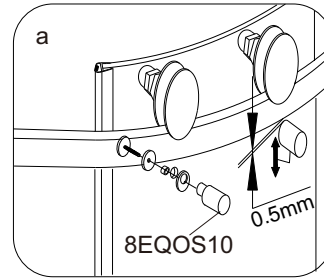
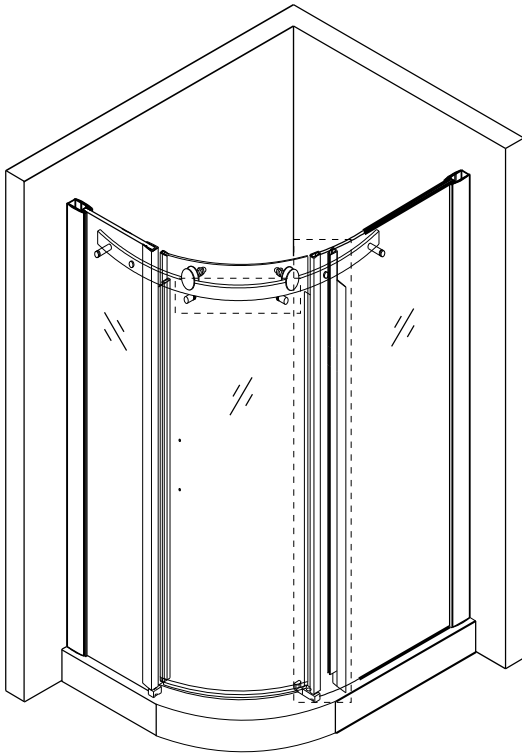
Roller adjustment:

- screw off the small hex screw by wrench 8EQOS26.
- screw the eccentric washer clockwise to make the door rise or screw the eccentric washer anticlockwise to make the door go down by using the other end of the wrench. Pay attention on the door's movement, stop screwing once the door reach to the right position.
- screw up the small hex screw to get the roller locked.

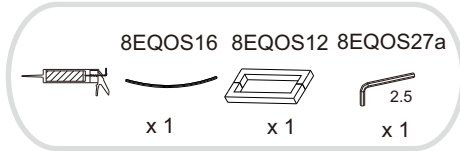
8.



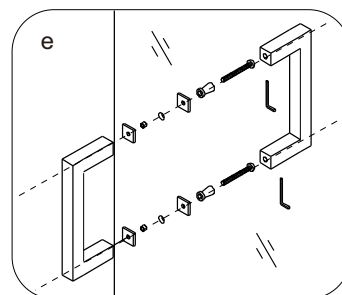
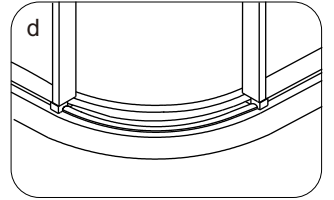
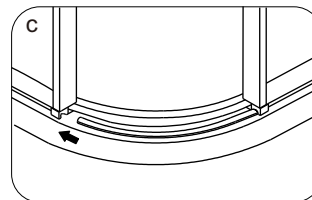
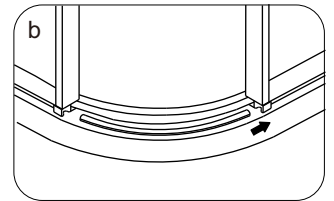
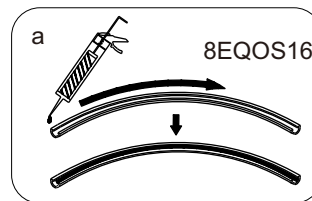
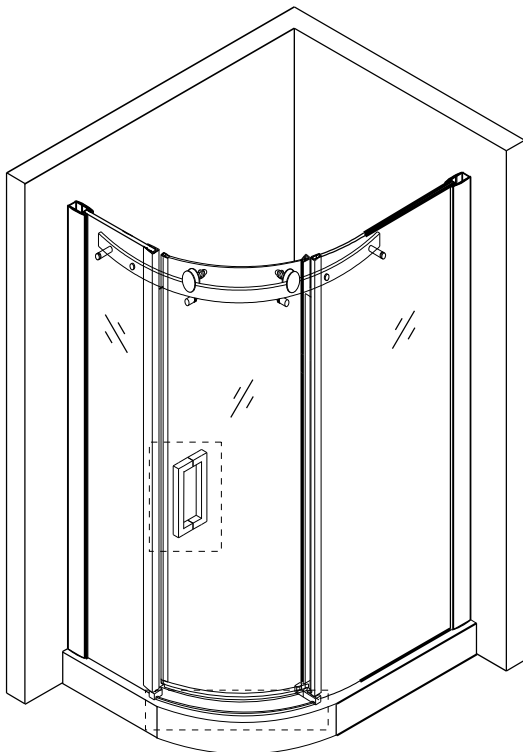
- Assemble the fixing part(8EQOS10) on the door panel below the rail profile.8EQOS10 is eccentric, please adjust the distance between rail profile and 8EQOS10 to be 0.5mm.
- Apply the vertical seal(8EQOS9L) on the right side of sliding door.



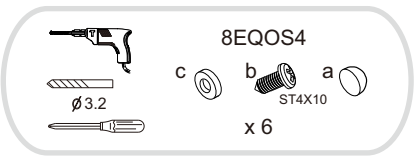
9.



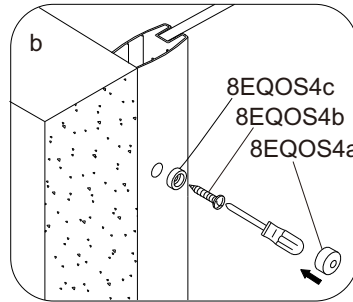
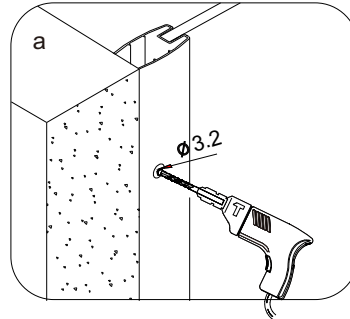
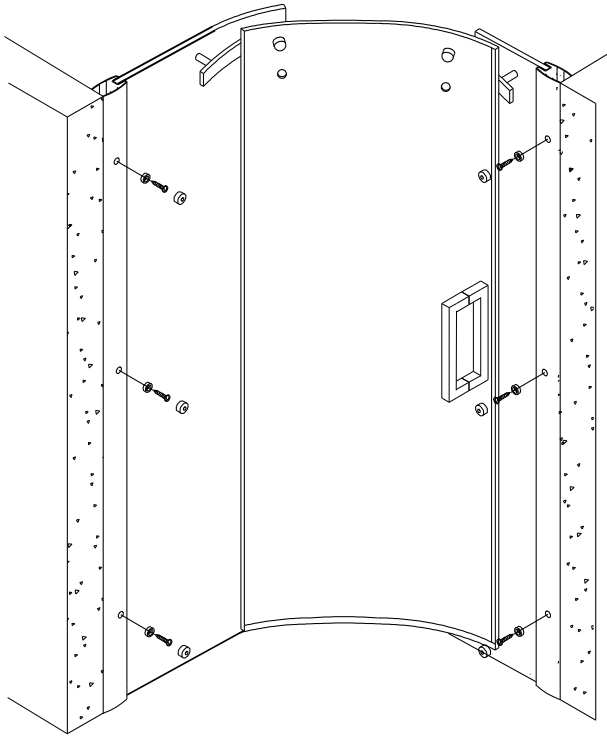
- Apply silicon glue on the back of the bottom aluminum strip (8EQOS16).
- Insert one end into bracket(8EQOS7) and the other end into part (8EQOS25).
- Mount handle(8EQOS12) on the sliding door.



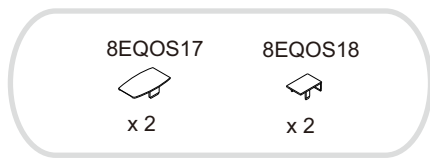
10.



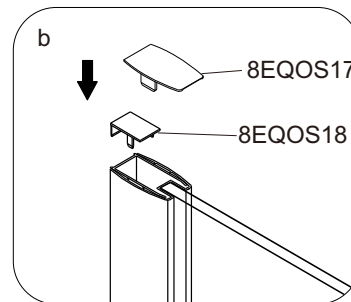
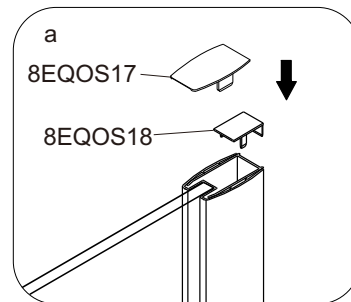
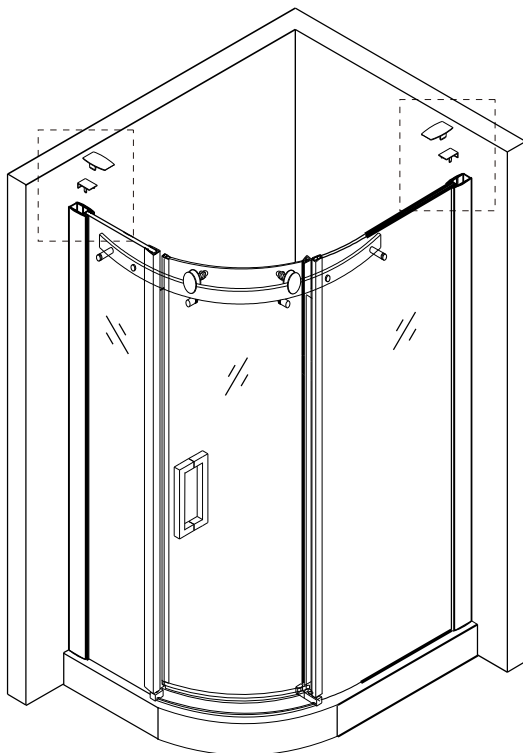
- From inside of the cabin, drill the holes (Ø3.2mm) on vertical profile into the wall profile(8EQOS3).
- Fix wall profile and vertical profile with screw(8EQOS4b) and screw washers (8EQOS4a) and screw caps (8EQOS4c)



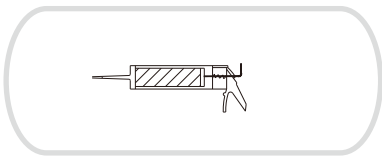
11.



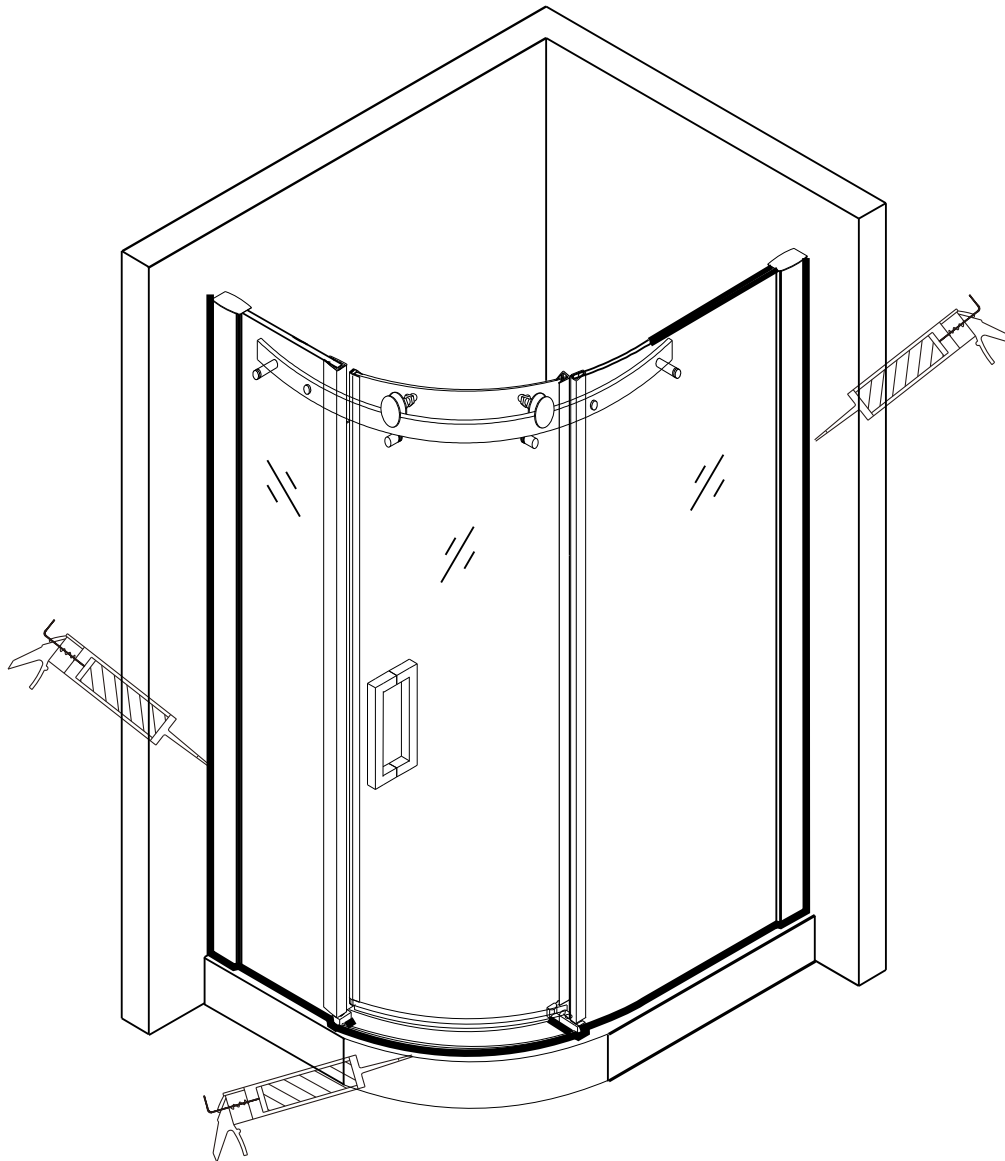
- Put top caps (8EQOS18) on the top of wall profiles.
- Put top caps (8EQOS17) on the top of vertical profiles.



12.



- Finally, at all points connected to the wall, shower tray/floor and the profiles, use silicone sealant only on the outside of the shower enclosure. Please do not use showering within 24 hours after silicone sealant.



Cleaning and Maintenance:

Please do not use abrasive or strong cleaning solutions on the shower enclosure, such as alcohol, petroleum liquids or any other chemical cleaner.

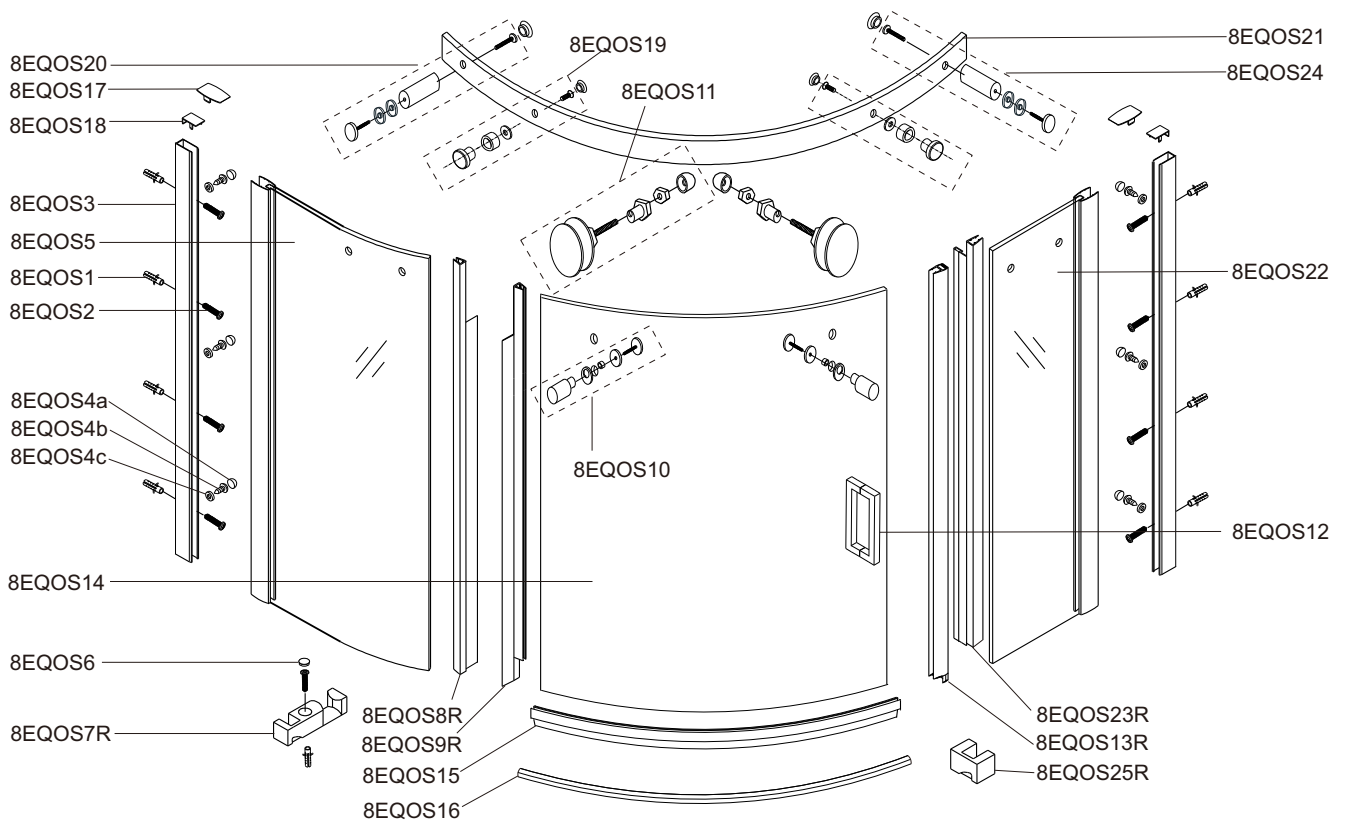
Should there be any dirty stains on the shower enclosure, please clean it with a soft lint free cloth and warm soapy water. Please rinse it with clean water afterwards.

Sealant drying times may vary in cold damp conditions and will be extended where thicker beads of sealant are applied. Allow sealant to dry completely before exposing to water.

We have taken great care to ensure that this product reaches you in perfect condition. However should any parts be damaged or missing please contact your point of purchase. This does not affect your statutory rights. In addition if you require replacement parts your point of purchase will be happy to assist.

For information and support phone: 0845 47024 27

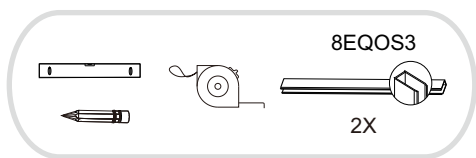
IDENTIFICATION OF PARTS



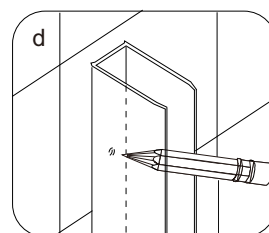
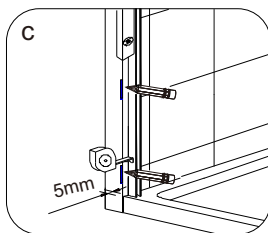
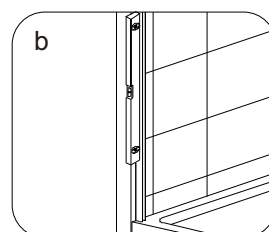
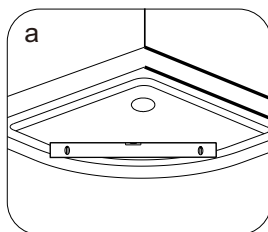
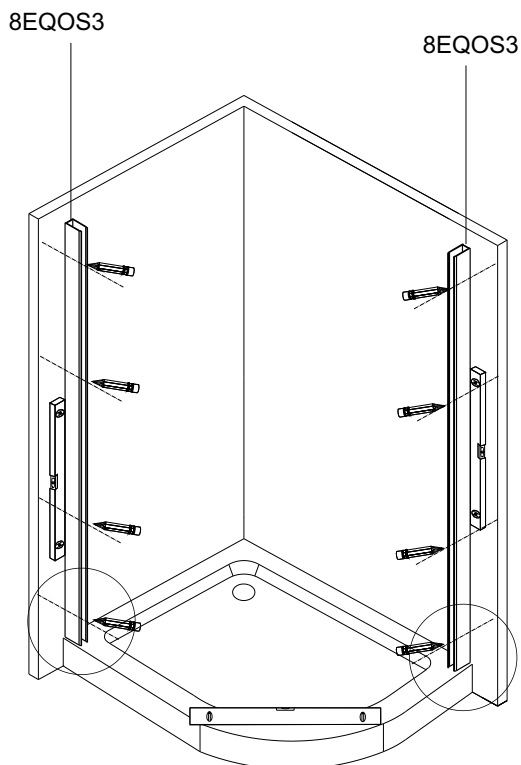
Fixings & fittings supplied

Item No.:	Part	Quantity	Item No.:	Part	Quantity
8EQOS5		x 1	8EQOS12		x 1
8EQOS22		x 1	8EQOS13		x 1
8EQOS14		x 1	8EQOS15		x 1
8EQOS21		x 1	8EQOS16		x 1
8EQOS1		x 9	8EQOS17		x 2
8EQOS2		x 9	8EQOS18		x 2
8EQOS3		x 2	8EQOS19		x 2
8EQOS4		x 6	8EQOS20		x 1
8EQOS6		x 5	8EQOS23R		x 1
8EQOS7R		x 1	8EQOS24		x 1
8EQOS8R		x 1	8EQOS25R		x 1
8EQOS9R		x 1	8EQOS26		x 2
8EQOS10		x 2	8EQOS27		x 1
8EQOS11		x 2			

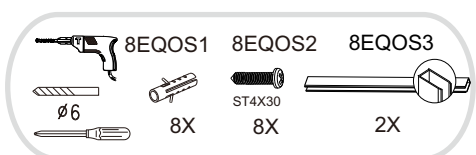
1.



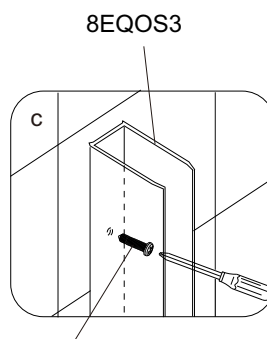
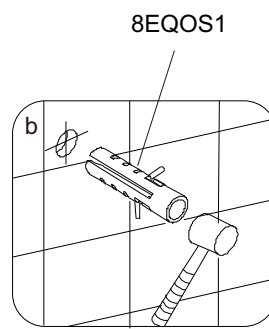
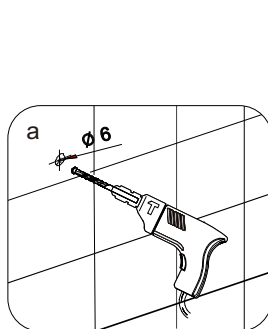
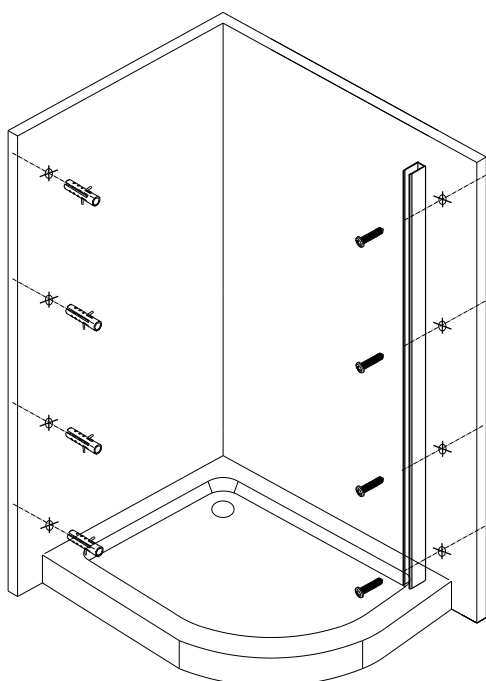
- Take a spirit level to make sure the tray is placed horizontal.
- Put the wall profile(8EQOS3) against the wall and make sure the profile to be 5mm away from the outside edge. Adjust the profile to ensure it vertical by using a spirit level.
- Mark the holes on the wall.



2.

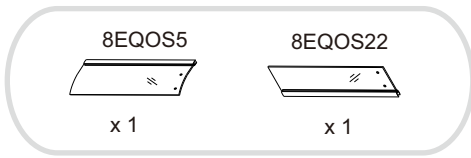


- Drill the holes($\varnothing 6$ mm) according to the marks and insert the wall plugs(8EQOS1) into the holes.
- Fix the wall profiles(8EQOS3) on the wall with screws (8EQOS2).

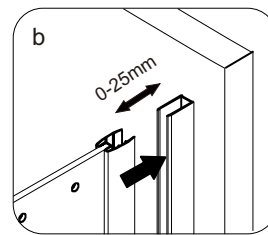
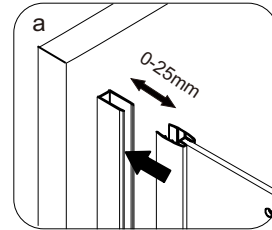
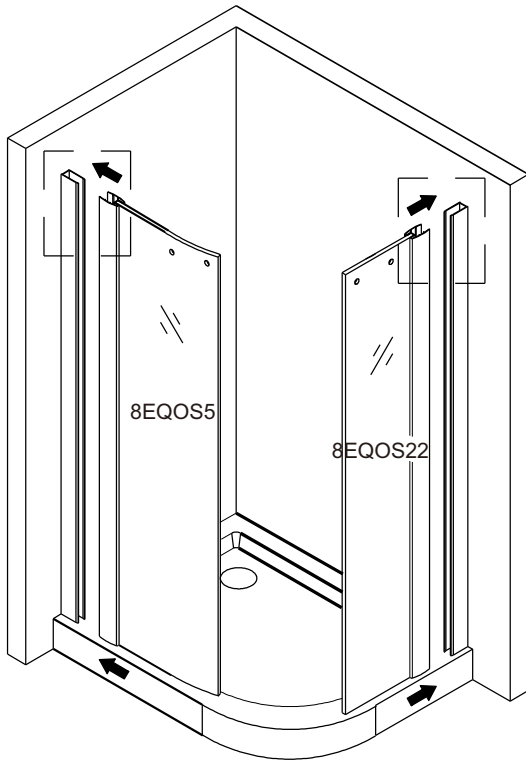


8EQOS2

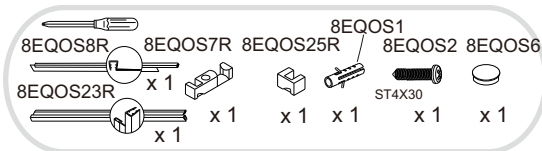
3.



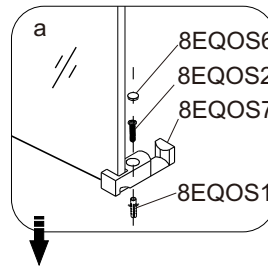
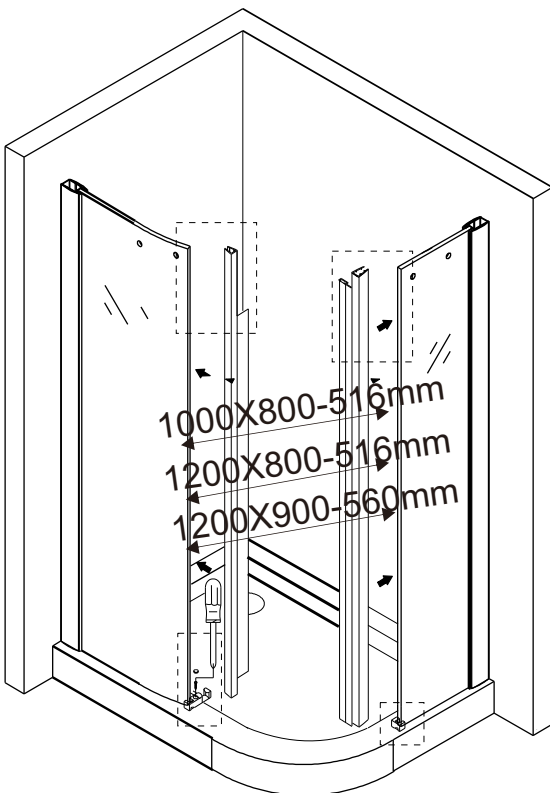
- Insert the big fixing glass panel(8EQS5) into the left wall profile.
- Insert the small fixing flat glass panel(8EQS22) into the right wall profile.
- There is 25mm of adjustment on each profile, allowing for the positioning of the frame.



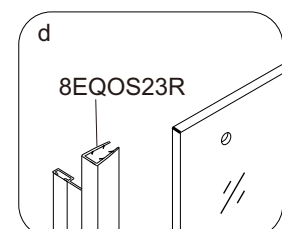
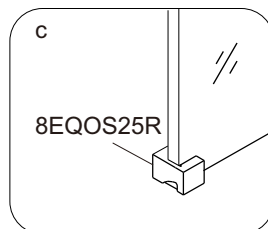
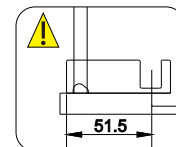
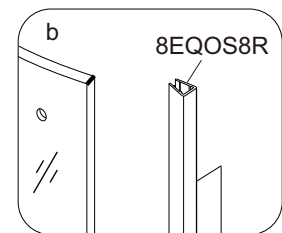
4.



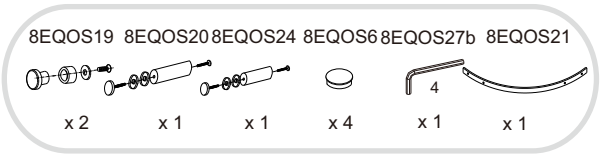
- Put the bottom bracket(8EQOS7R) on the bottom of the big fixing panel and mark the hole for the bracket. Drill the hole (Ø 6 mm) according to the mark and insert the wall plug (8EQOS1) into the hole. Fix the bracket(8EQOS7R) with screw (8EQOS2) on the tray. Put the cover(8EQOS6) on the screw.
- Attach the vertical sealer(8EQOS8R) onto the big fixing panel.
- Locate part(8EQOS25R) on the bottom of the small fixing panel.
- Attach the vertical magnetic sealer(8EQOS23R) onto the edge of small flat fixing panel.



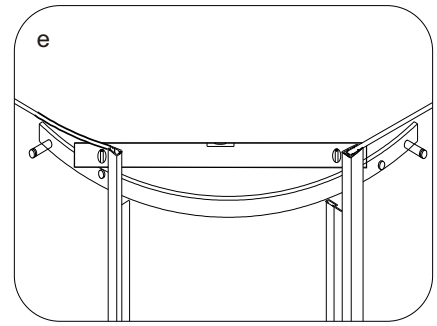
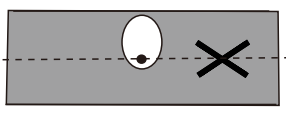
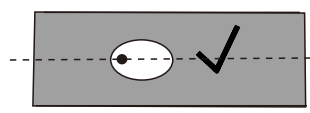
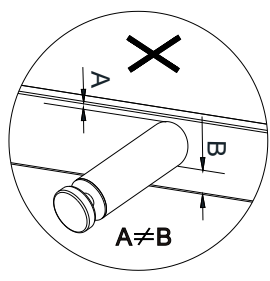
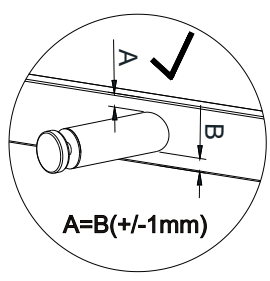
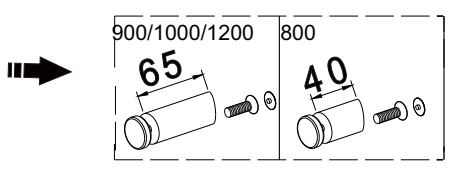
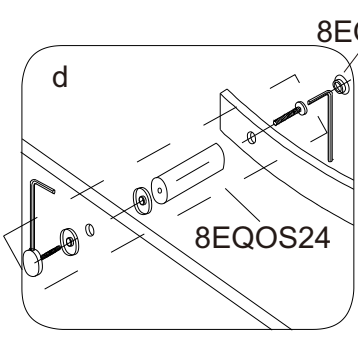
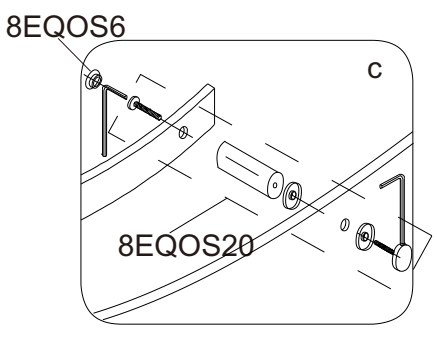
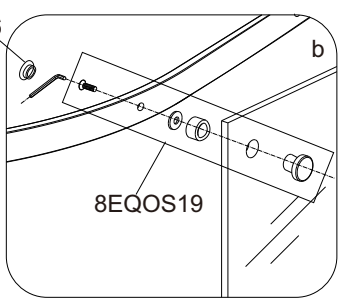
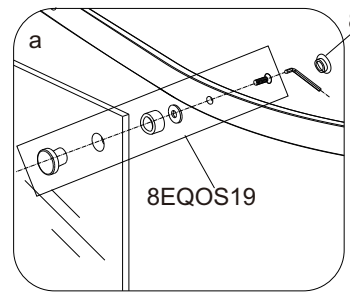
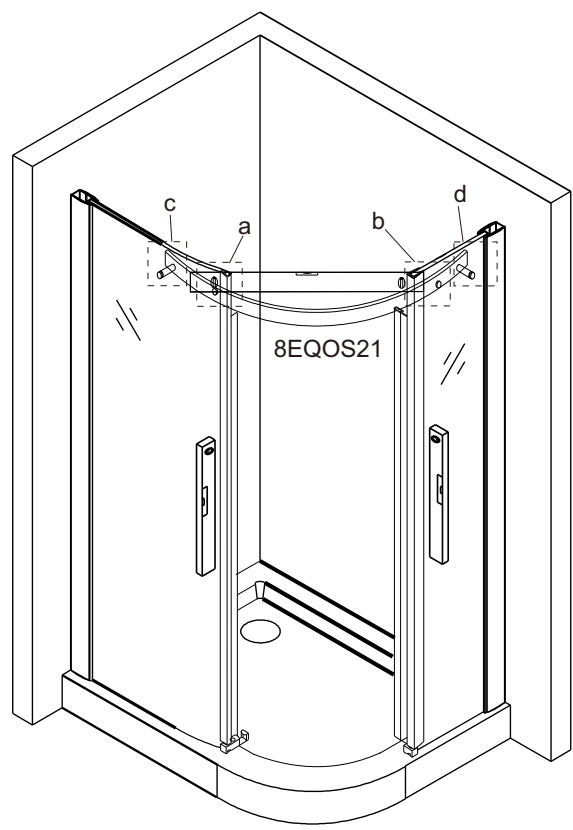
Please note that the width of the bottom bracket which stands on the tray threshold should be no less than 51.5mm.



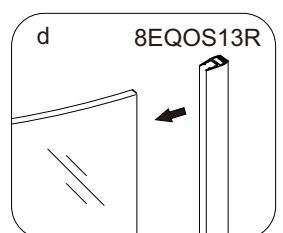
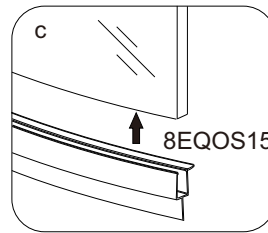
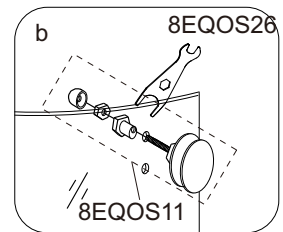
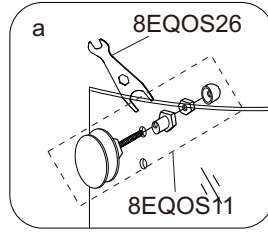
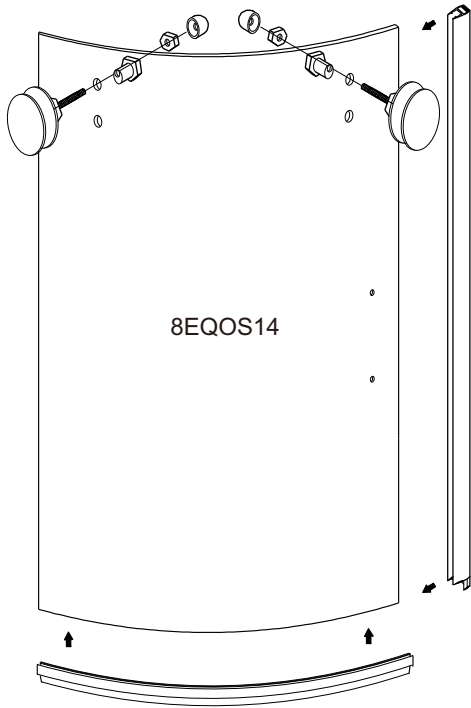
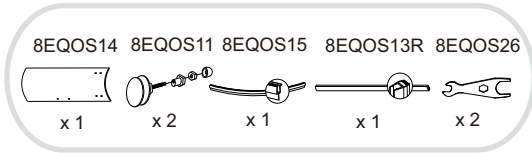
5.



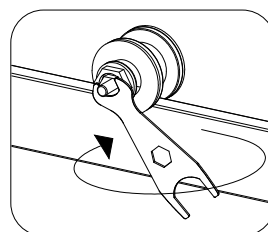
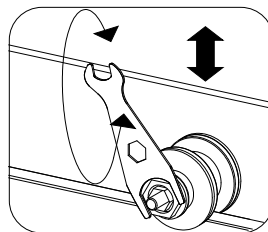
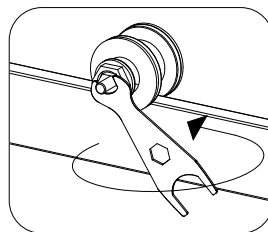
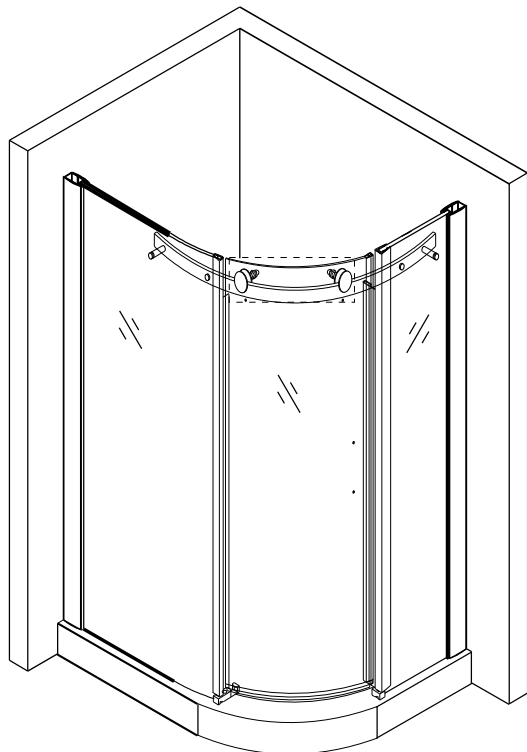
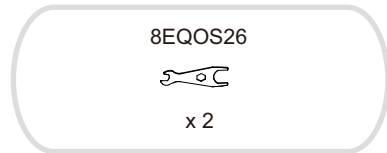
- Adjust the position of vertical profiles and wall profiles to suitable position.
- Mount the rail profile(8EQOS21) by assembling fixing parts(8EQOS19, 8EQOS20, 8EQOS24)on fixing panels.
- Put the covers(8EQOS6) on the back of 8EQOS19, 8EQOS20 and 8EQOS24.
- Make sure the rail profile(8EQOS21) is mounted horizontally with a spirit level.



- 6.**
- Assemble rollers(8EQOS11) on the door panel(8EQOS14) with the tool(8EQOS26).
 - Attach bottom seal(8EQOS15) on the bottom of the door.
 - Attach magnetic seal(8EQOS13R) on the right edge of the door.



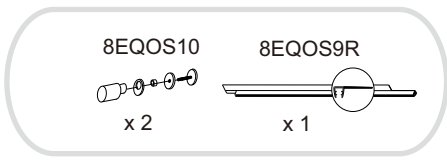
- 7.**
- Put the door panel onto the rail profile.
 - Adjust the top rollers to make sure the door panel is vertical.
 - The roller's washer is eccentric. Please adjust the eccentric washer to right position and fasten the nut.



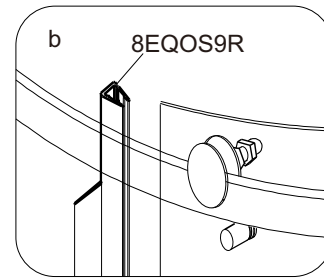
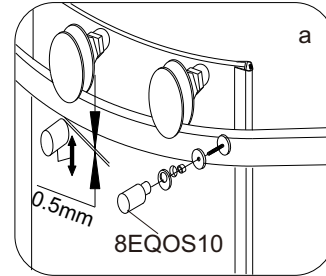
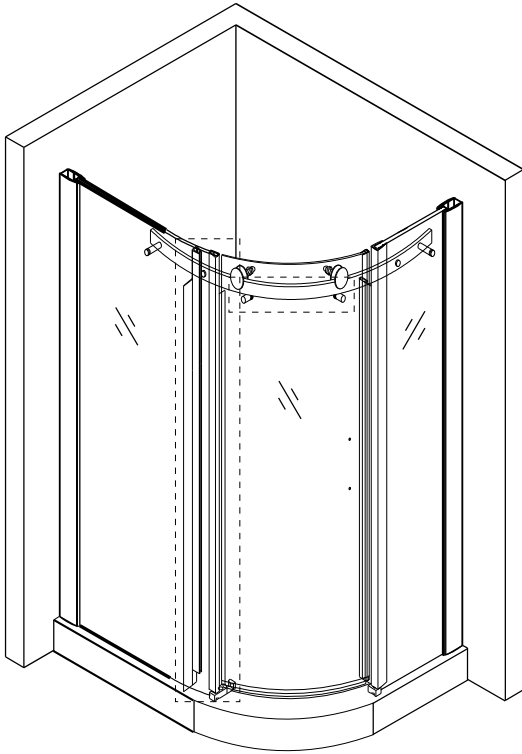
Roller adjustment:

- screw off the small hex screw by wrench 8EQOS26.
- screw the eccentric washer clockwise to make the door rise or screw the eccentric washer anticlockwise to make the door go down by using the other end of the wrench. Pay attention on the door's movement, stop screwing once the door reach to the right position.
- screw up the small hex screw to get the roller locked.

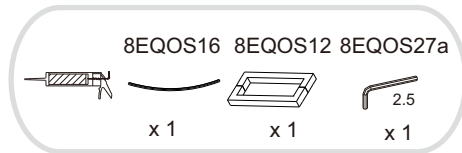
8.



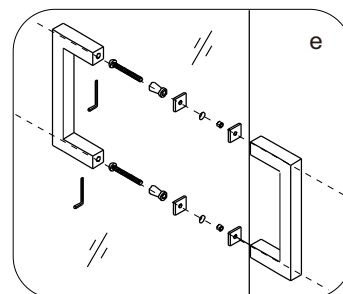
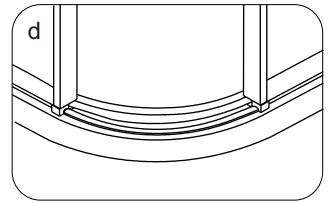
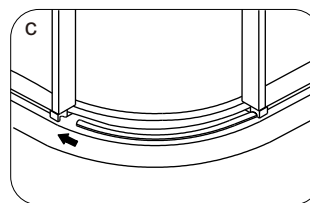
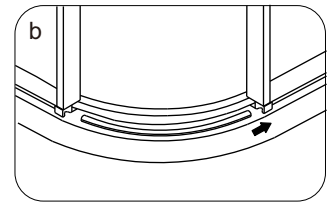
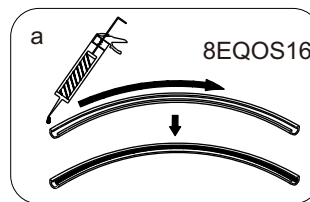
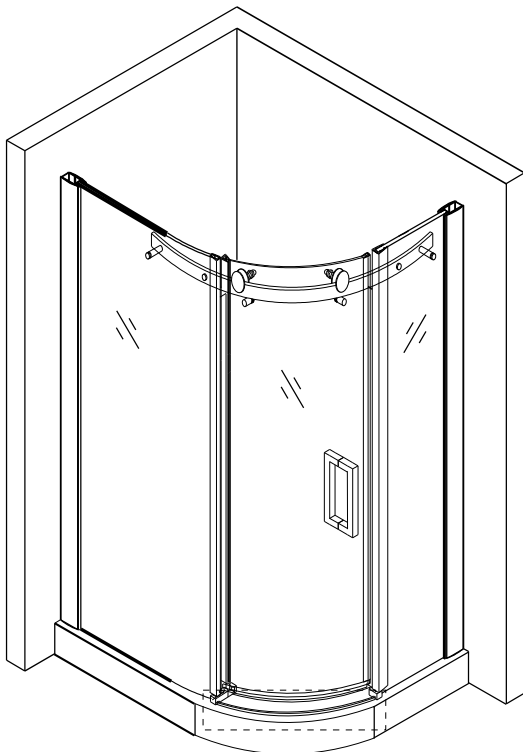
- Assemble the fixing part(8EQOS10) on the door panel below the rail profile.8EQOS10 is eccentric, please adjust the distance between rail profile and 8EQOS10 to be 0.5mm.
- Apply the vertical seal(8EQOS9R) on the left side of sliding door.



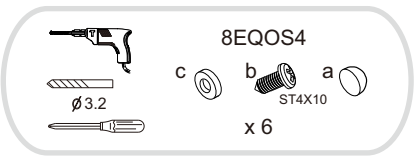
9.



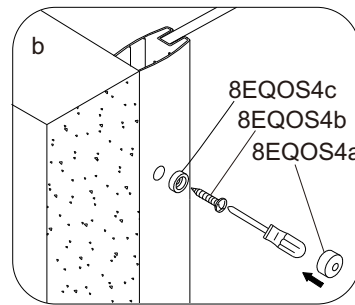
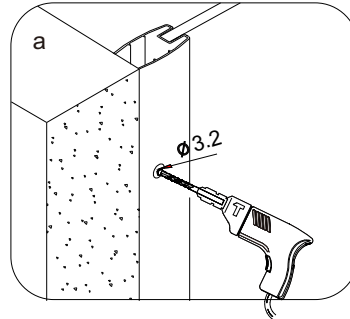
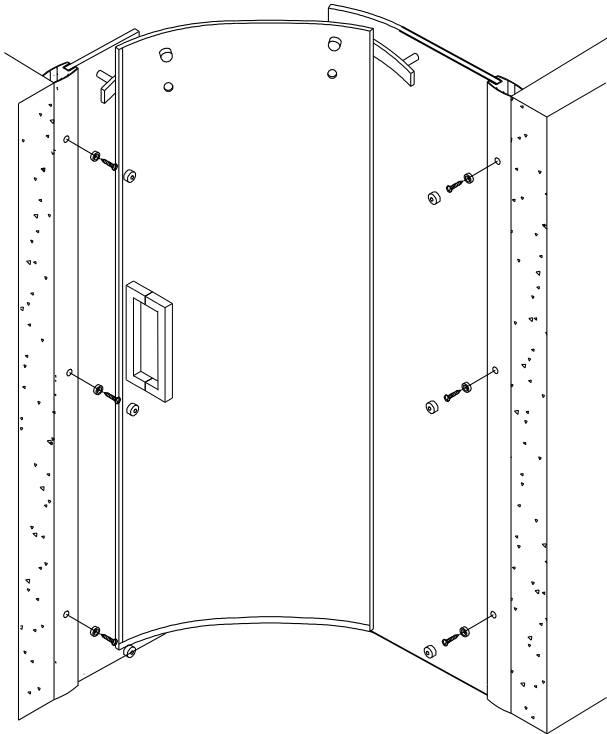
- Apply silicon glue on the back of the bottom aluminum strip (8EQOS16).
- Insert one end into bracket(8EQOS7) and the other end into part (8EQOS25).
- Mount handle(8EQOS12) on the sliding door.



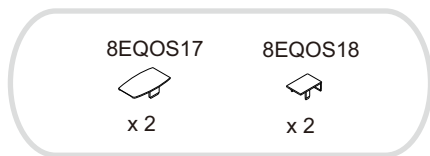
10.



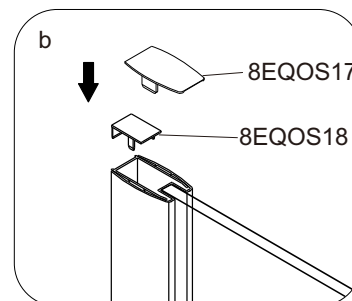
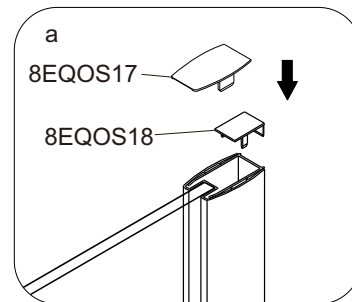
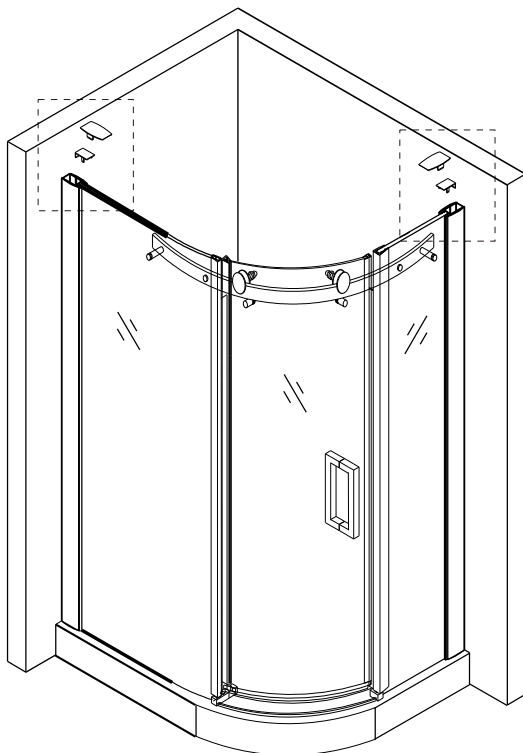
- From inside of the cabin, drill the holes (Ø3.2mm) on vertical profile into the wall profile(8EQOS3).
- Fix wall profile and vertical profile with screw(8EQOS4b) and screw washers (8EQOS4a) and screw caps (8EQSO4c).



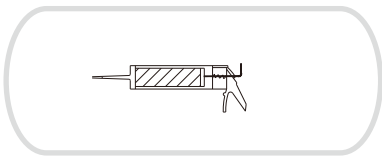
11.



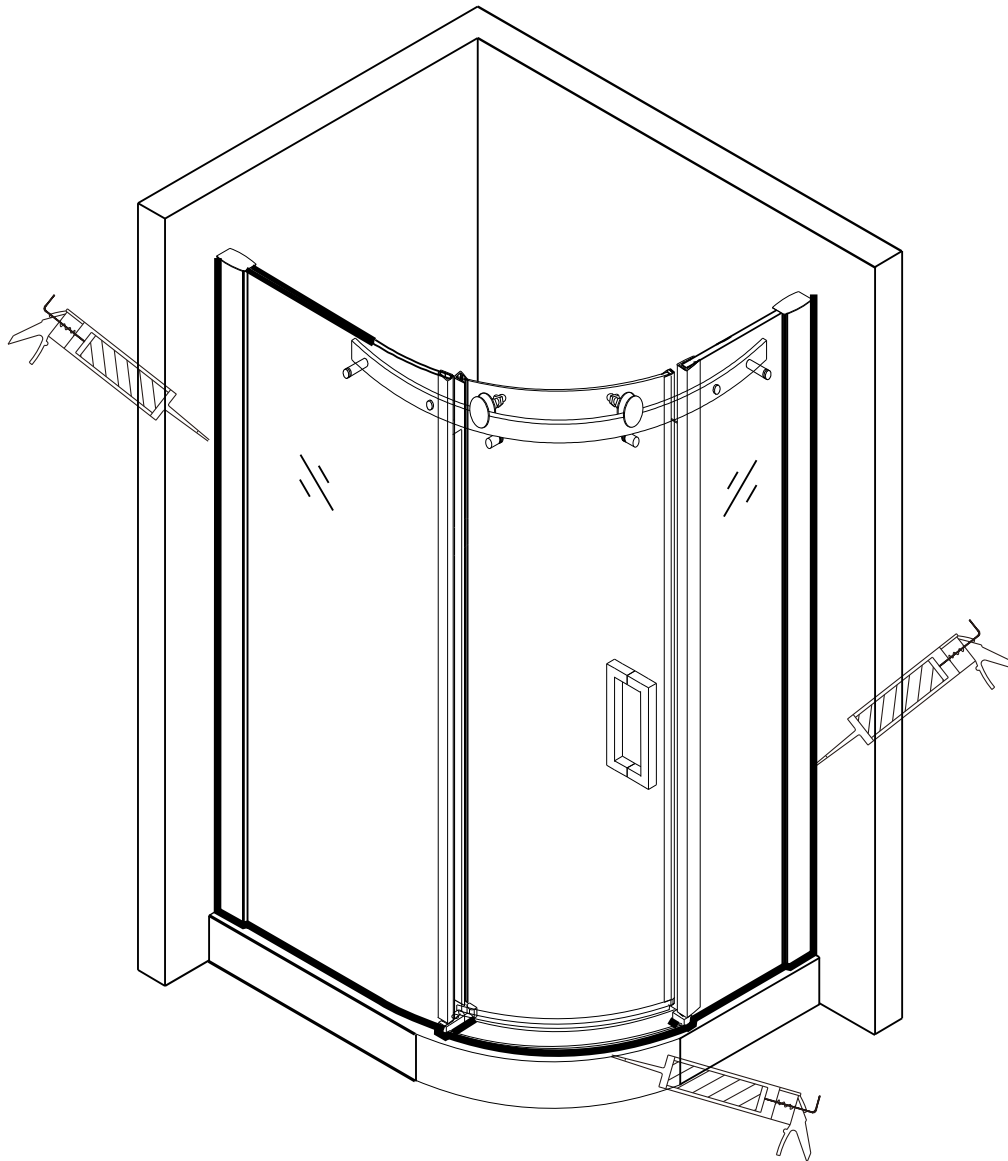
- Put top caps (8EQOS18) on the top of wall profiles.
- Put top caps (8EQOS17) on the top of vertical profiles.



12.



- Finally, at all points connected to the wall, shower tray/floor and the profiles, use silicone sealant only on the outside of the shower enclosure. Please do not use showering within 24 hours after silicon sealant.



Cleaning and Maintenance:

Please do not use abrasive or strong cleaning solutions on the shower enclosure, such as alcohol, petroleum liquids or any other chemical cleaner.

Should there be any dirty stains on the shower enclosure, please clean it with a soft lint free cloth and warm soapy water. Please rinse it with clean water afterwards.

Sealant drying times may vary in cold damp conditions and will be extended where thicker beads of sealant are applied. Allow sealant to dry completely before exposing to water.

We have taken great care to ensure that this product reaches you in perfect condition. However should any parts be damaged or missing please contact your point of purchase. This does not affect your statutory rights. In addition if you require replacement parts your point of purchase will be happy to assist.

For information and support phone:0845 47024 27