

# Sensorflow 21 Urinal Flush Sensor, Low Pressure Valve Panel Mounted, Mains

## ILLUSTRATED

**A7058** Sensorflow 21 urinal flush, Low Pressure Valve, panel mounted, mains

### ILLUSTRATED PRODUCT DETAILS

#### Weights

**A7058** 1.51 KG

#### Finishes

**A7058**  Chrome (AA)

#### Materials

**A7058** Chrome Plated Brass

### FINISH OPTIONS



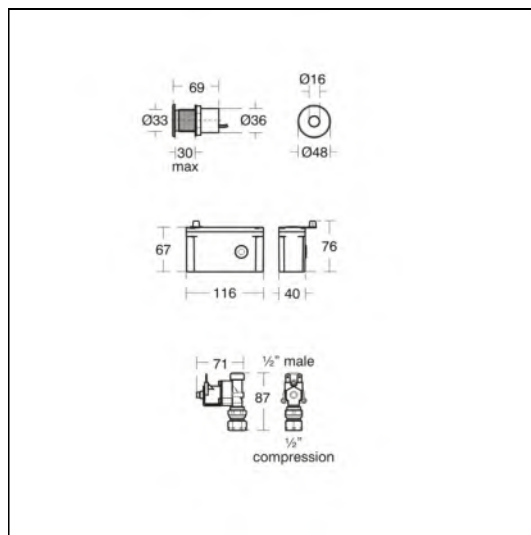
#### Special Notes

Check Local requirements for back flow prevention.

Suitable for water systems from 0.2bar 0.5bar.

Default 4sec run time, adjustment at installation.

Ensures full coverage without exceeding 1.5 litres per activation.  
Mains powered Sensorflow products must be connected to a continuous permanent power supply of these require 220-240 volts and each 1 having its own fuse spur.



### FEATURES

