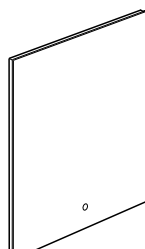
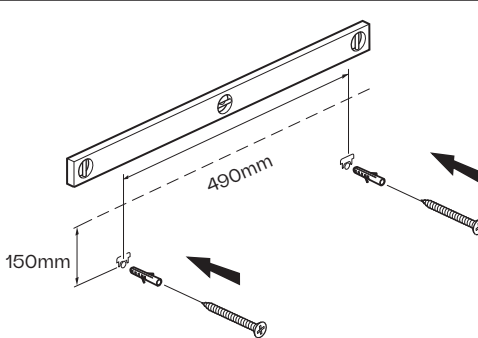


# MIRROR INSTALLATION MANUAL — ESSENCE

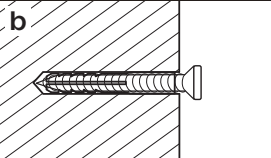
**550mm X 700mm**



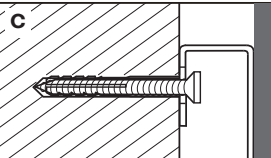
**a**

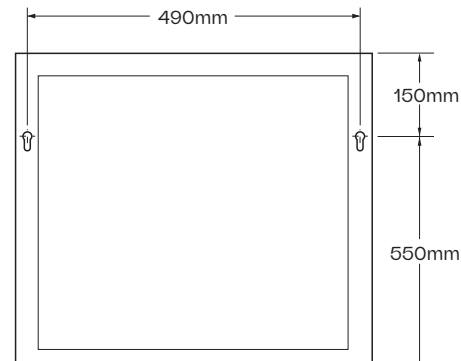



**b**



**c**

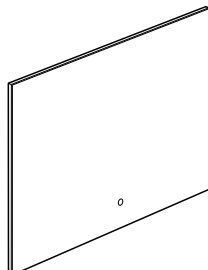




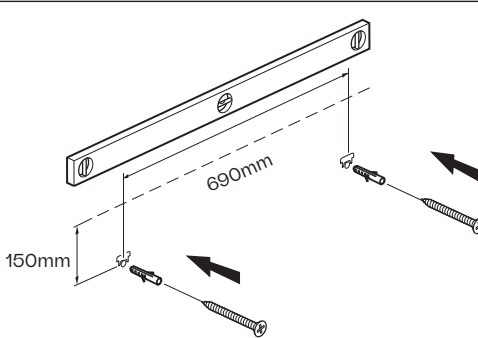


Mirror Unit

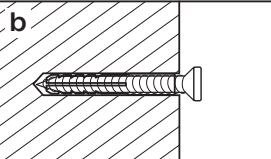
**750mm X 700mm**



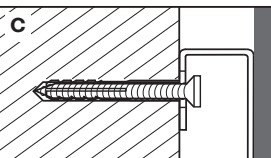
**a**

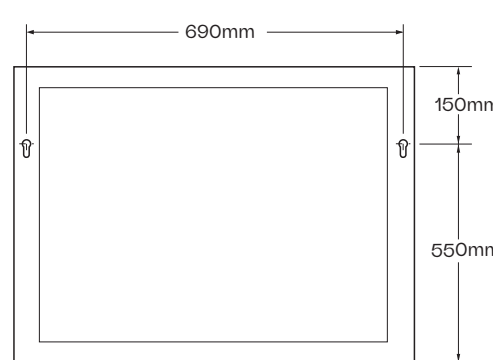



**b**



**c**

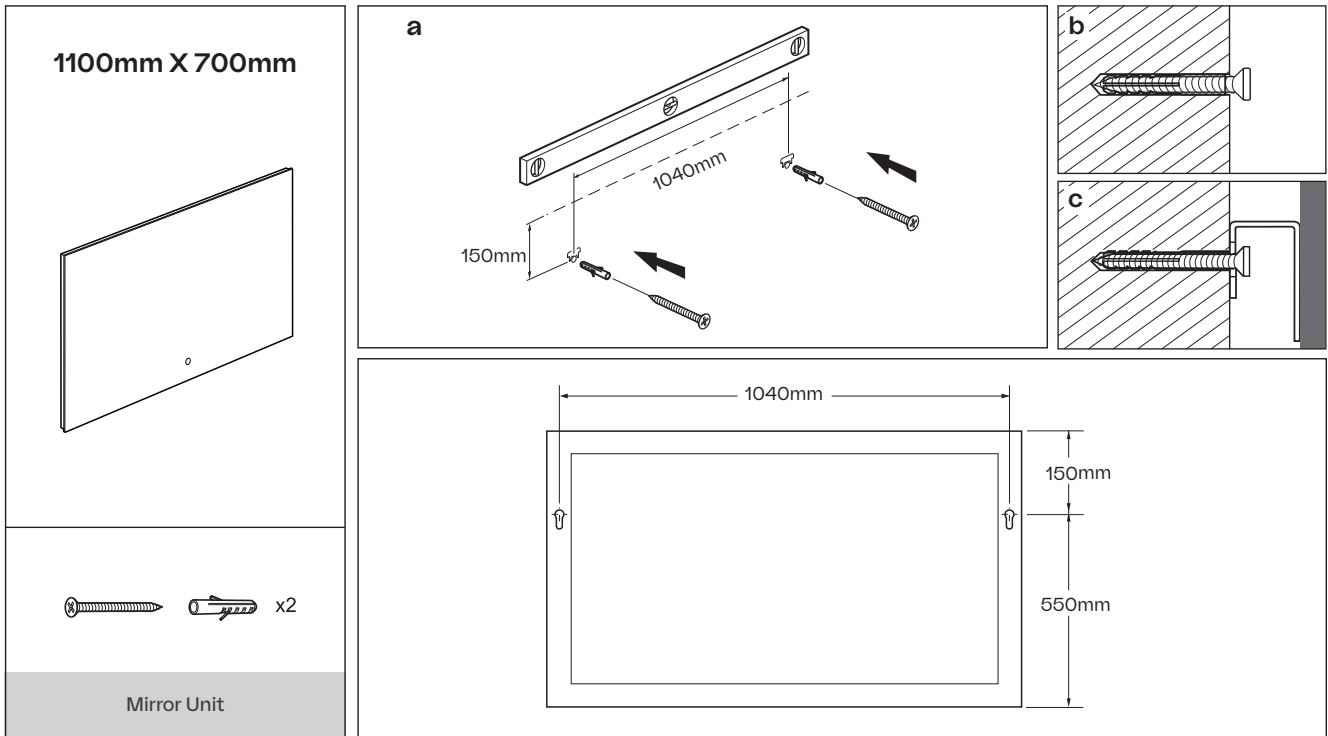






Mirror Unit

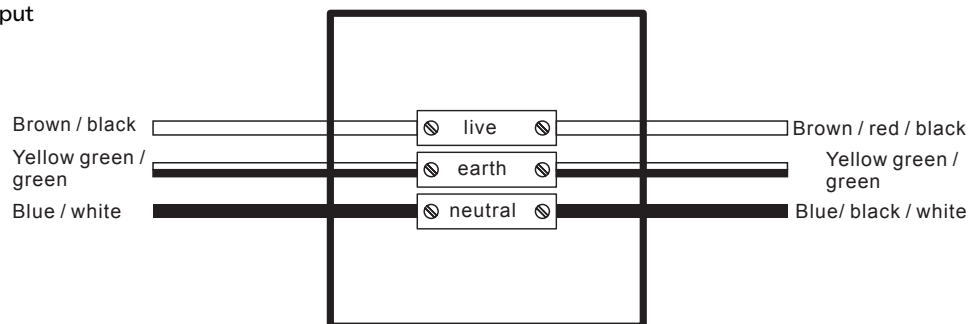
# MIRROR INSTALLATION MANUAL — ESSENCE



**Notes:**

1. The connector that we provide for electrical connection is suitable for general-purpose connection types. Electrical connection applications may differ in your region or residential area. Connectors suitable for the network to which the product will be connected must be supplied and the connection must be carried out by specialists.

**2. Wiring diagram for input**



**3. Usage of touch button**

- 1st touch: light on
- 2nd touch: demister on
- 3rd touch: both light and demister on
- 4th touch: both off

