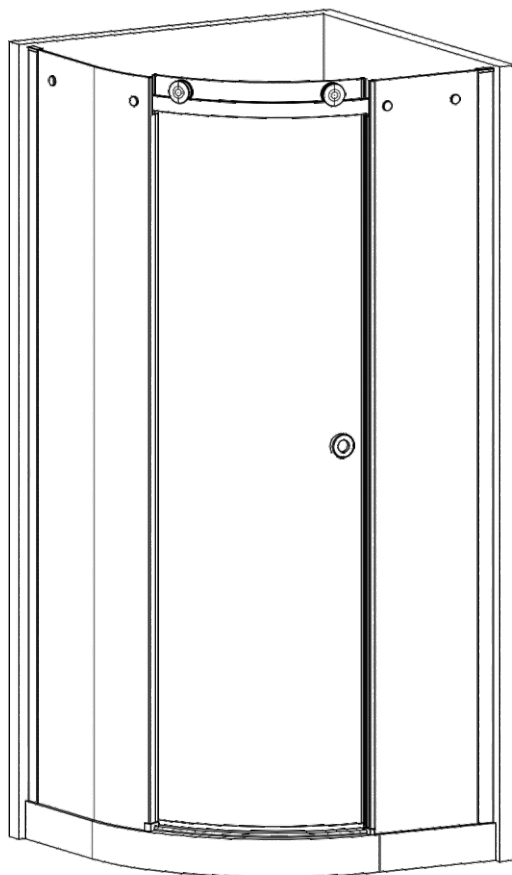


aquaglass™

SPHERE + QUAD



OBSP800QBBL	OBSP900QBBL	OBSP100QBBL
OBSP800QBCL	OBSP900QBCL	OBSP100QBCL
OBSP800QCL	OBSP900QCL	OBSP100QCL
OBSP800QSML	OBSP900QSML	OBSP100QSML

aquaglass

Aqua Brands, Green Lane, Green Lane Industrial Park, Featherstone WF7 6TA
T: 0845 470 2424 F: 0845 470 2425 W: www.aquabrand.co.uk

- Please read these instructions in full before installing

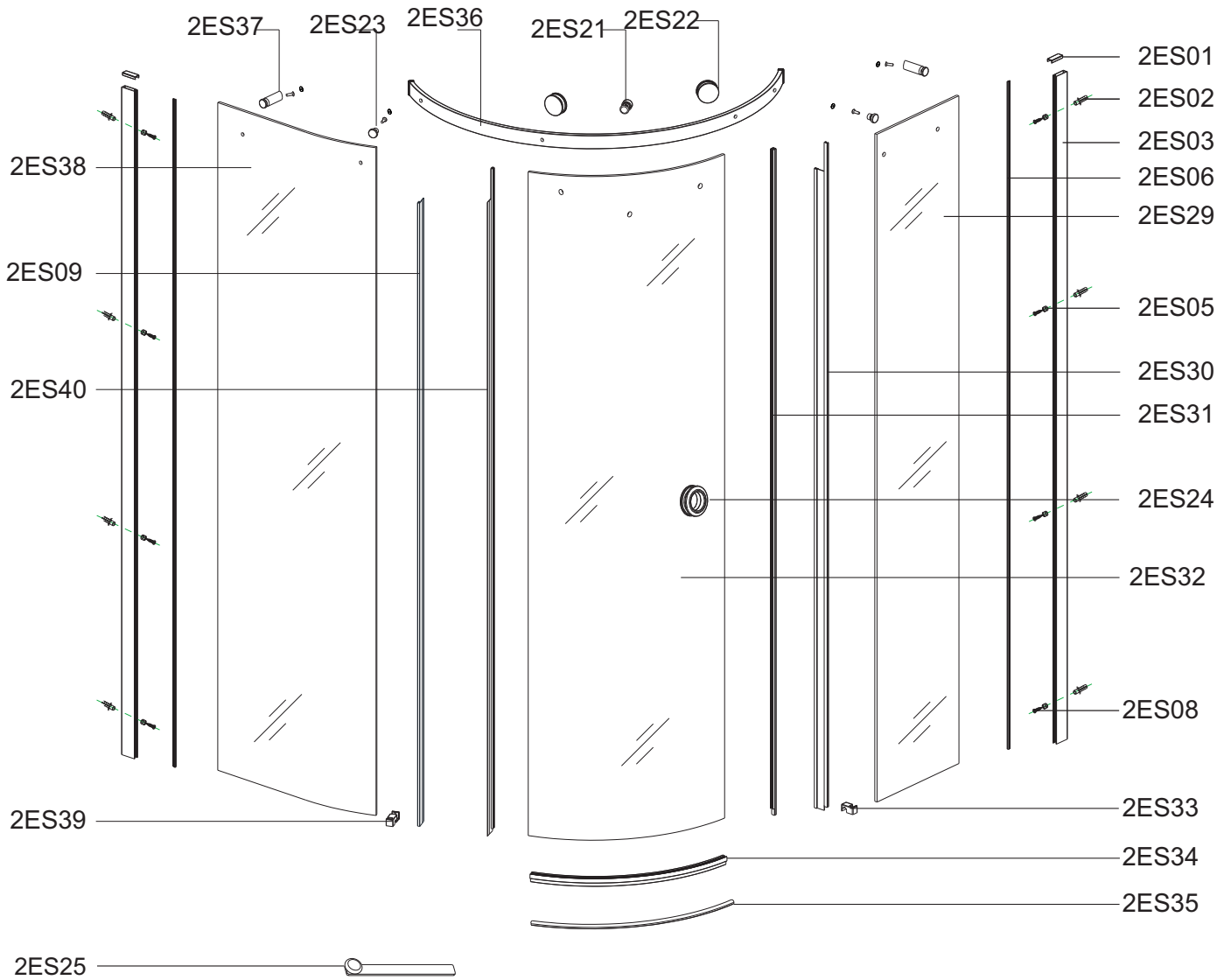
IMPORTANT

- If this product is installed on top of shower tray, order to achieve a better water proof function, it is strongly suggested that the tray's threshold width is not less than 60mm.
- Check that the tray has been installed to the manufacturer's instructions .
Please note - All product is supplied without a tray.
- Opening wall adjustments
800mm quadrant - adjustment = (770-790) x (770-790) x 1950mm
900mm quadrant - adjustment = (870-890) x (870-890) x 1950mm
1000mm quadrant - adjustment = (970-990) x (970-990) x 1950mm

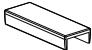


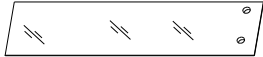
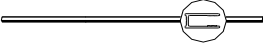
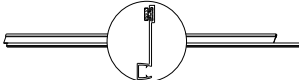


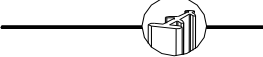
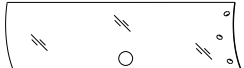




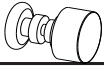









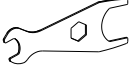



GENERAL SAFETY INSTRUCTIONS

- Do not fix the wall profile to newly plastered, painted or papered walls as chemical reaction may cause discolouration to the surface finish.
- Important: The wall plugs included in this pack are for solid walls only. If the product is to be mounted on a partition or stud wall, specialised fixings should be purchased separately .
- Fixing tips; A piece of insulating tape or a couple of layers of masking tape applied to the wall before marking out the fixing holes will help stop the drill from wandering, particularly on tiled surfaces.
- When working near a basin or bath insert the plug into the waste, this will help you avoid losing small parts. Also take care not to drop accessories or tools onto the bath or basin, use a towel or bathmat to protect delicate surfaces.
- CAUTION !
Before drilling into any walls check that there are no hidden cables or pipes. Exercise great care when using power tools near water. The use of a residual current device (RCD) or cordless drill is recommended. Always double check the positioning and measurements before drilling holes.
- This product is heavy and requires two people during lifting and operations.
- Glass is delicate, support on cardboard to minimise risk of damage.




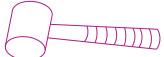





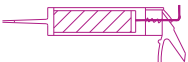
IDENTIFICATION OF PARTS

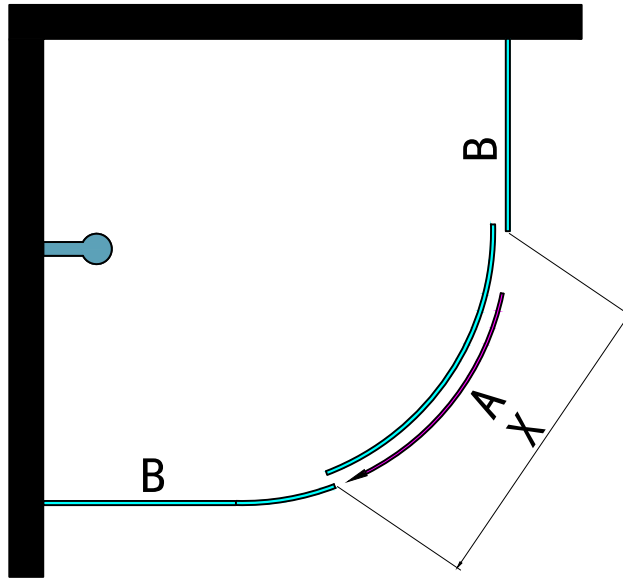


Fixings & fittings supplied

Item No.:	Part	Quantity	Item No.:	Part	Quantity
2ES01		X 2	2ES28	 4mm	X 1
2ES02		X 8	2ES29		X 1
2ES03		X 2	2ES30		X 1
2ES05		X 8	2ES31		X 1
2ES06		X 2	2ES32		X 1
2ES08	 ST3.9X35	X 8	2ES33		X 1
2ES09		X 1	2ES34		X 1
2ES21		X 1	2ES35		X 1
2ES22		X 2	2ES36		X 1
2ES23		X 2	2ES37		X 2
2ES24		X 1	2ES38		X 1
2ES25		X 1	2ES39		X 1
2ES26		X 2	2ES40		X 1
2ES27	 2.5mm	X 1	8FR17		X 2

Tools required (not supplied)

Electric drill		tape measure	
drill(ϕ 3.2mm)		rubber hammer	
drill(ϕ 6mm)		knife	
cross tip screw driver		pencil	
spirit level		silicone sealant	



A: Moving Panel

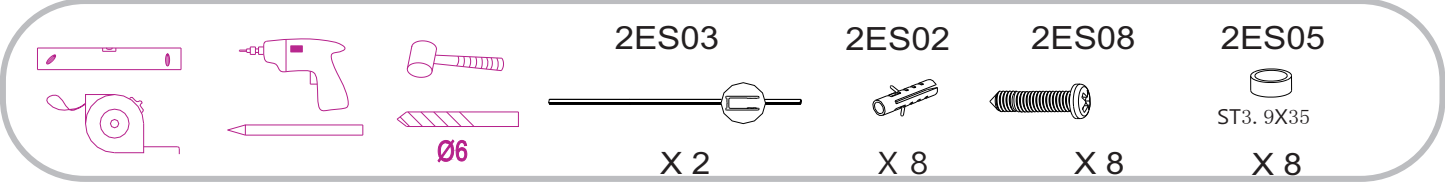
B: Fixed Panel

X: Door Opening

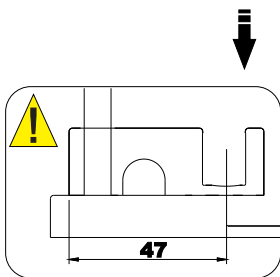
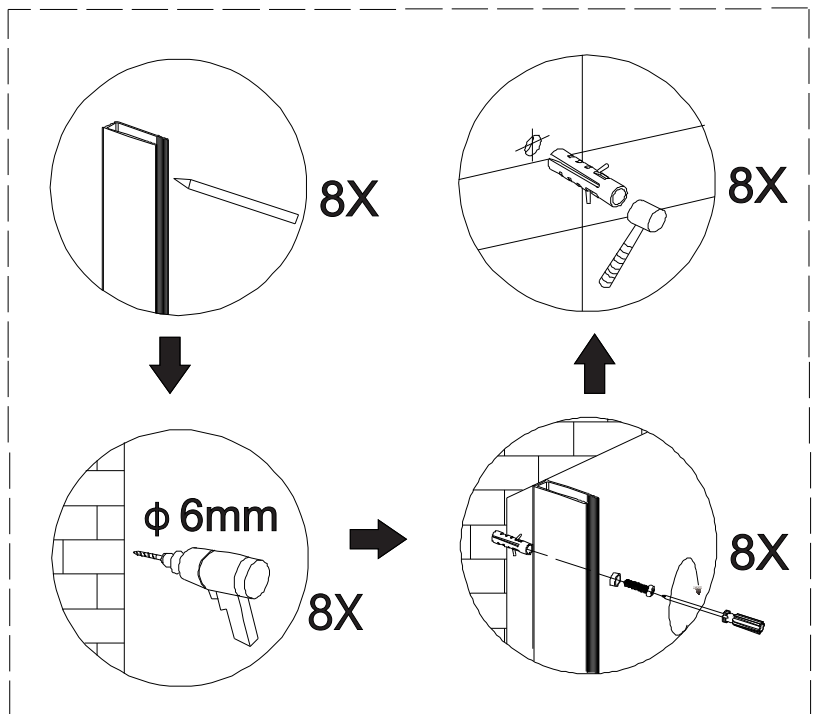
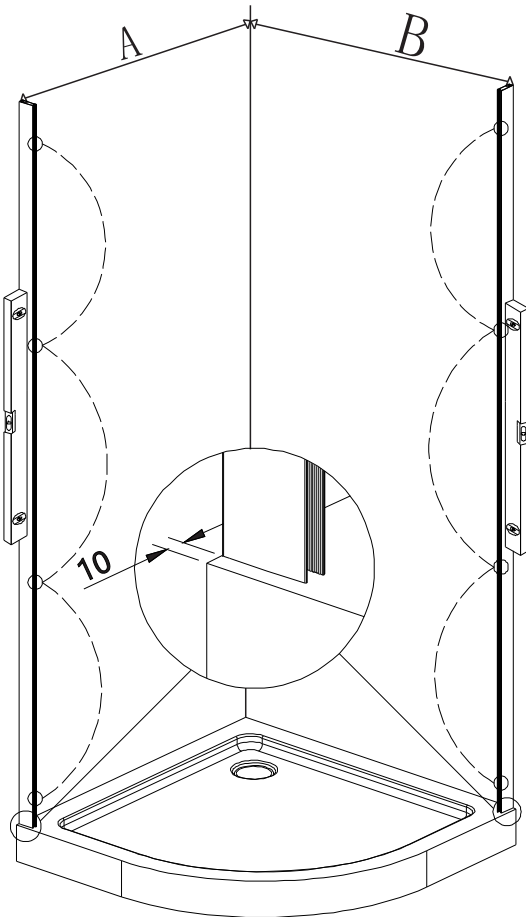
 Recommended shower head position

Size	A	B	X
800x800	540	246/478	532
900x900	585	346/537	567
1000x1000	585	446/637	567

① ASSEMBLY INSTRUCTIONS



- Put the wall pro file(2ES03) against the wall and ensure it is vertical using a spirit level.
- Mark the holes on the wall.
- Drill the holes accordingly.
- Insert wall plug 2ES02 into the holes.
- Fasten the wall profile on the wall with screw 2ES08 and washer 2ES05.

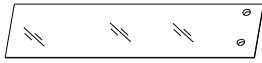


Please note that the width of the sliding guide which stands on the tray threshold should be no less than 47mm.

	A	B
800X800	770-790	770-790
900X900	870-890	870-890
1000X1000	970-990	970-990

② ASSEMBLY INSTRUCTIONS

2ES29



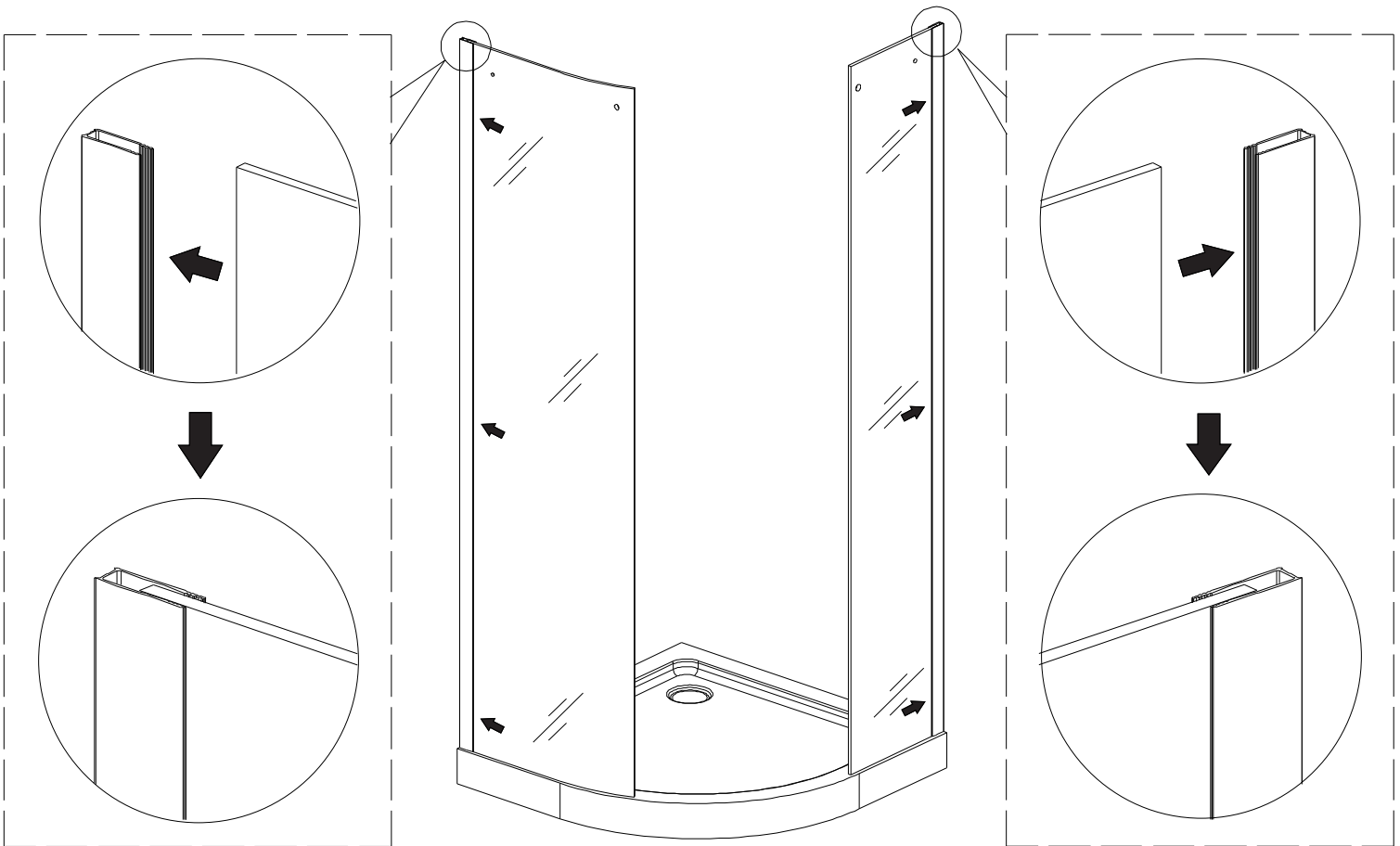
X 1

2ES38

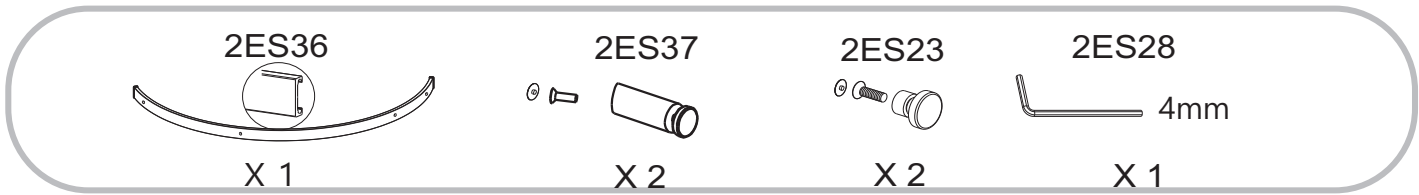


X 1

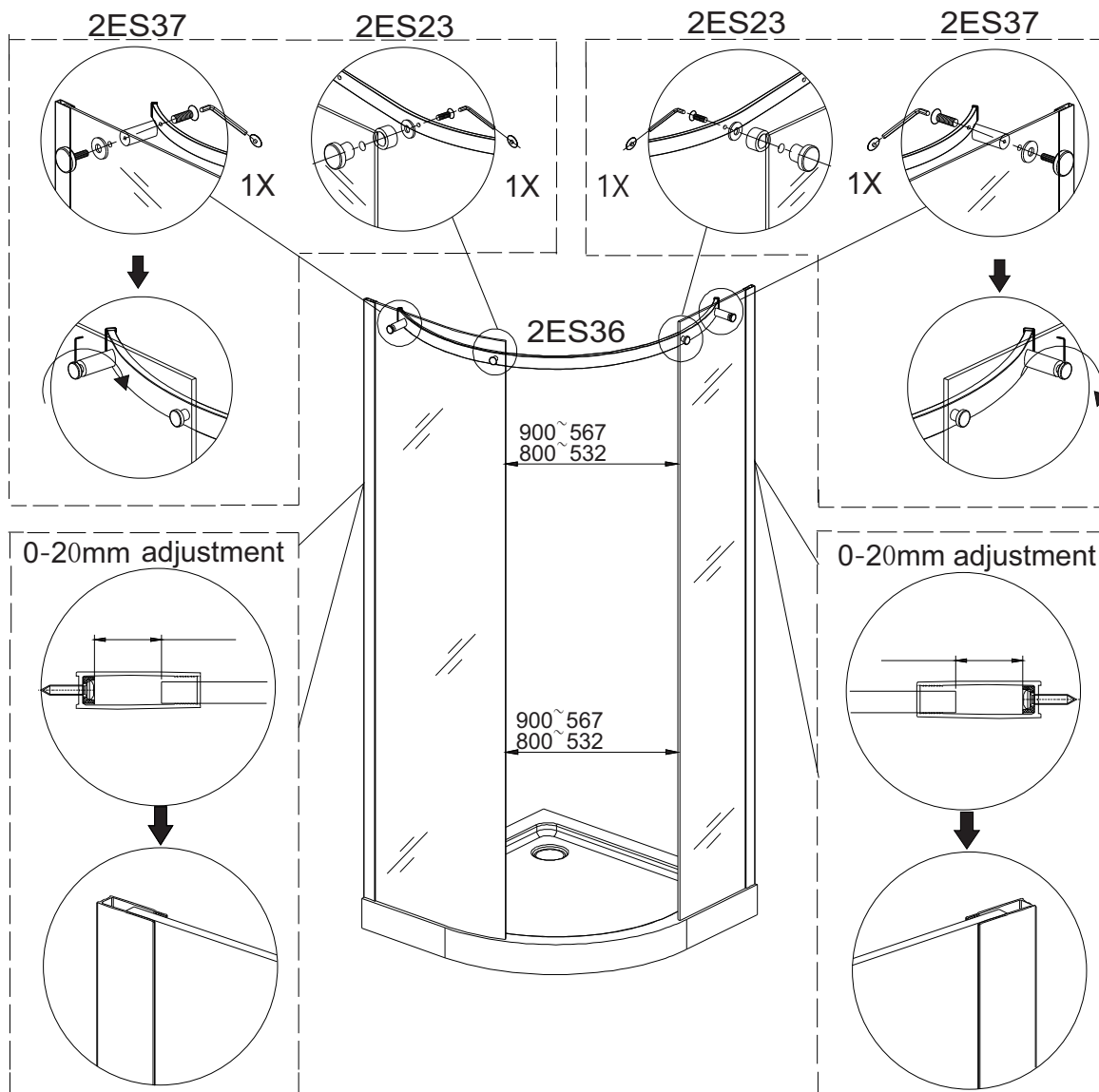
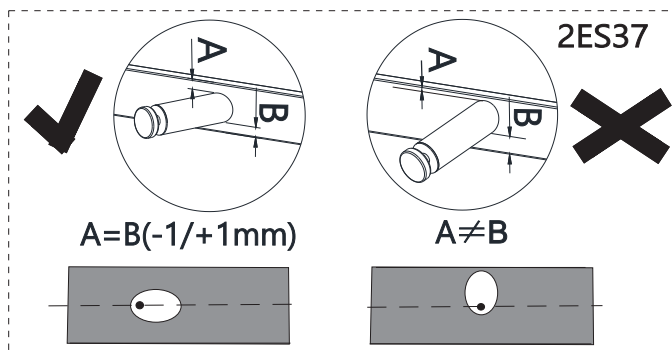
- Insert fixing glass panels into wall profile. Please insert the big fixing panel 2ES38 into the left wall profile. Insert small fixing panel 2ES29 into the left wall profile.



③ ASSEMBLY INSTRUCTIONS



- Mount the rail pro file 2ES36 on the fixing panels by assembling fixing part 2ES23 and 2ES37.
- Adjust the position of fixing panels to meet the opening requirement. Please make sure the opening on top and bottom is the same.



④ ASSEMBLY INSTRUCTIONS



2ES25



X 1

2ES06



X 2

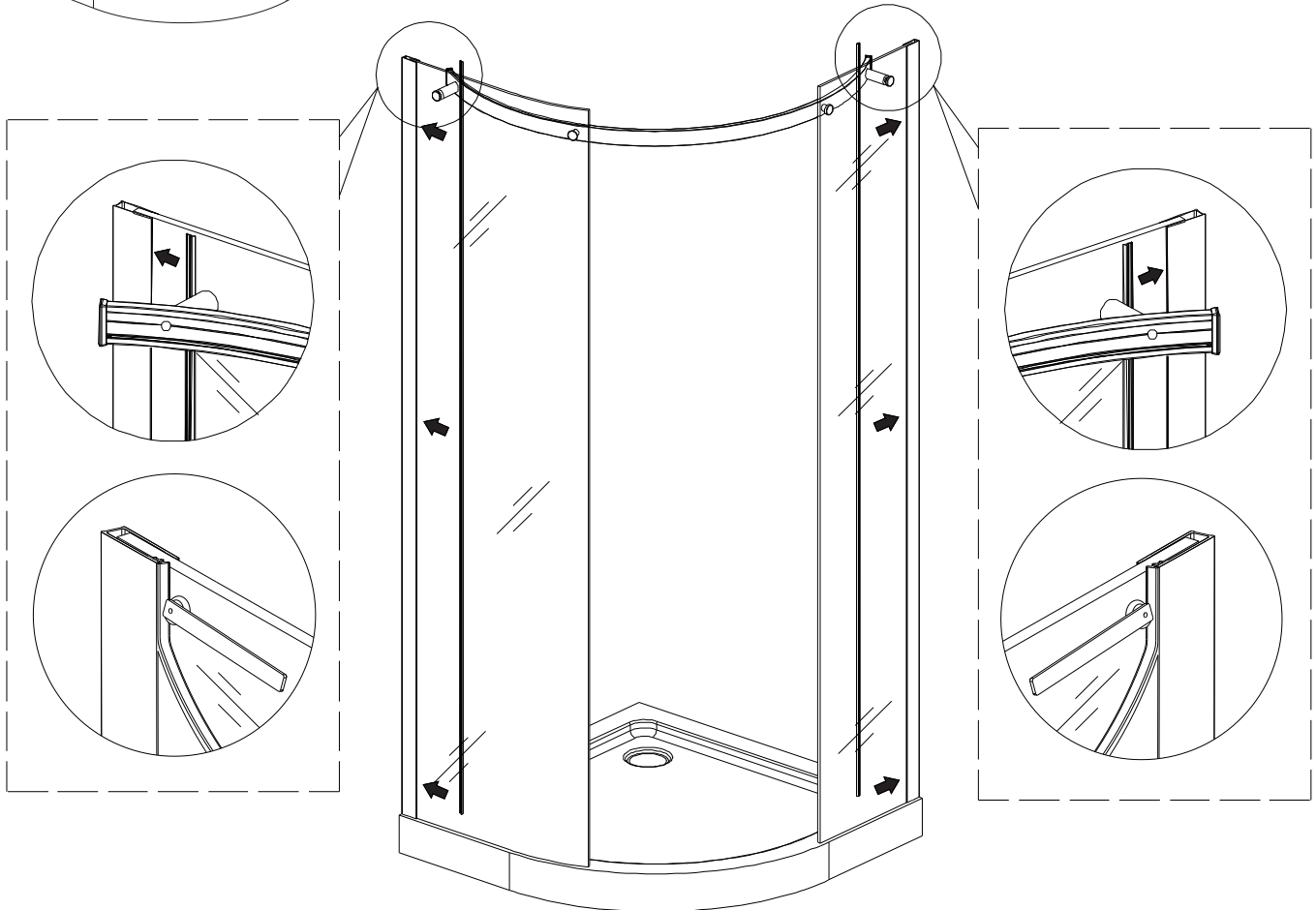
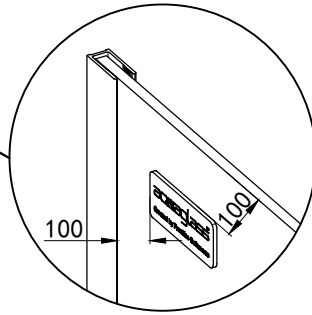
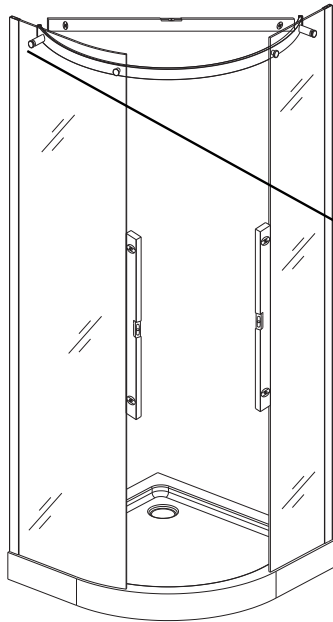
8FR17



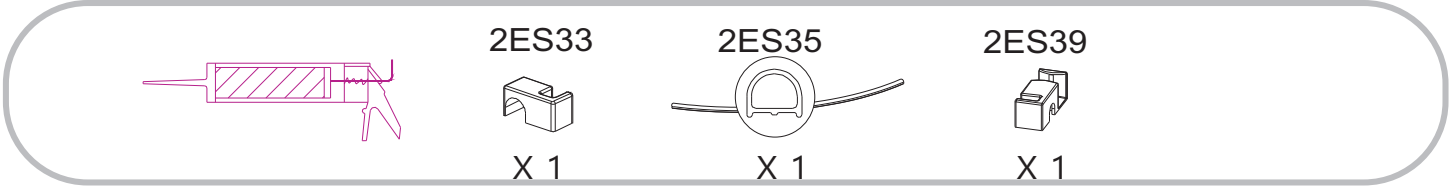
X 2

-Measure the rail profile and fixing panels with spirit level to make sure the rail profile is in horizontal level and fixing glass panel in vertical level.

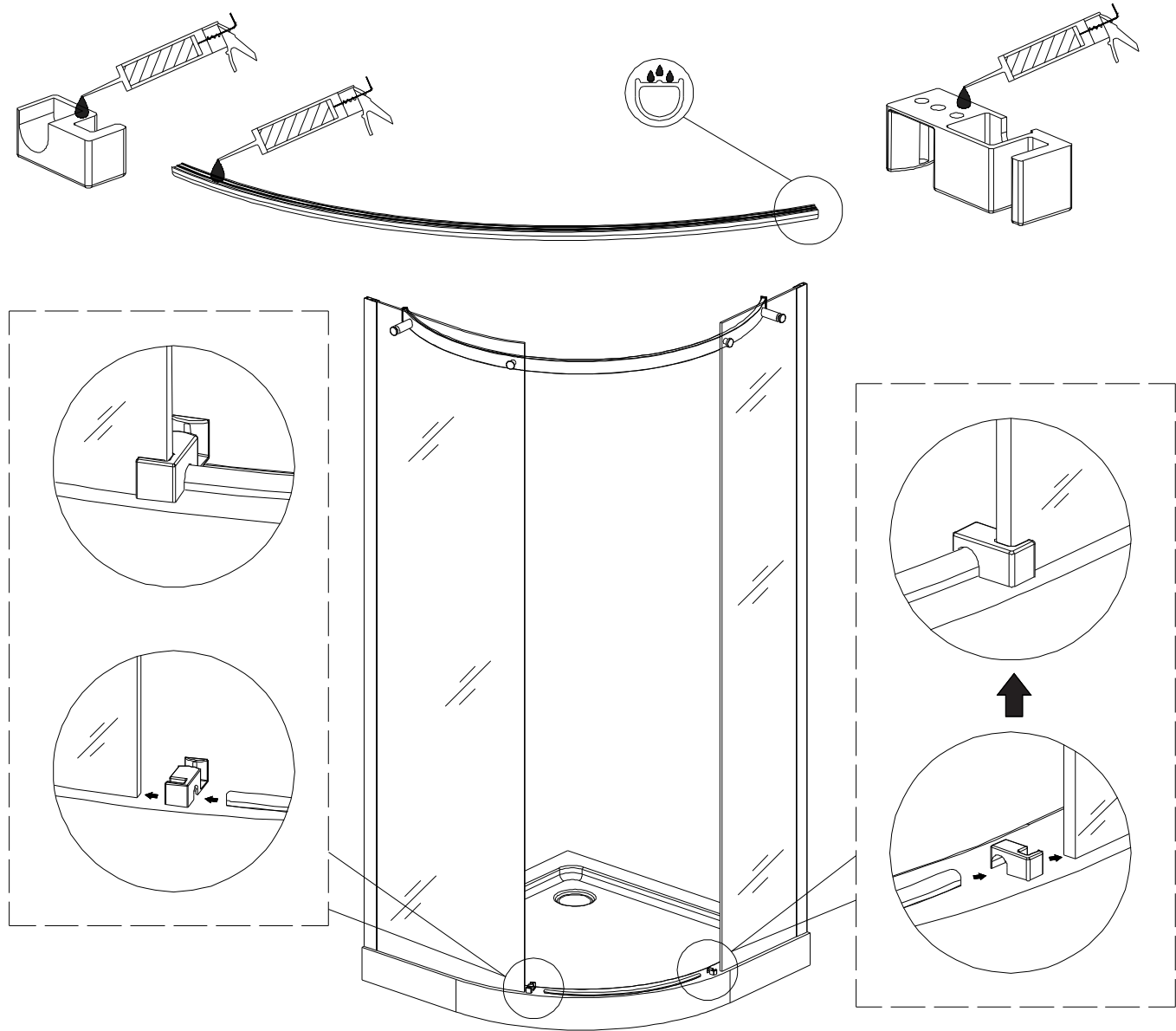
-From the inside of cabin, insert vertical sealer 2ES06 between glass and wall profile.



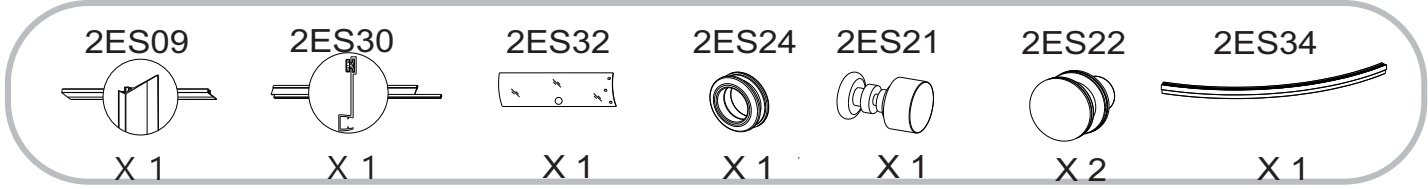
5 ASSEMBLY INSTRUCTIONS



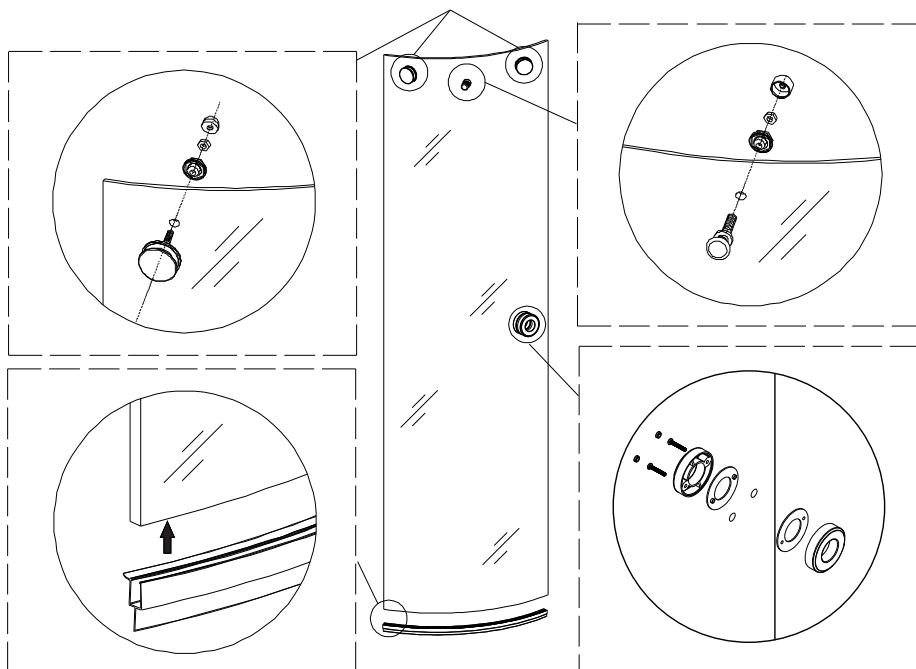
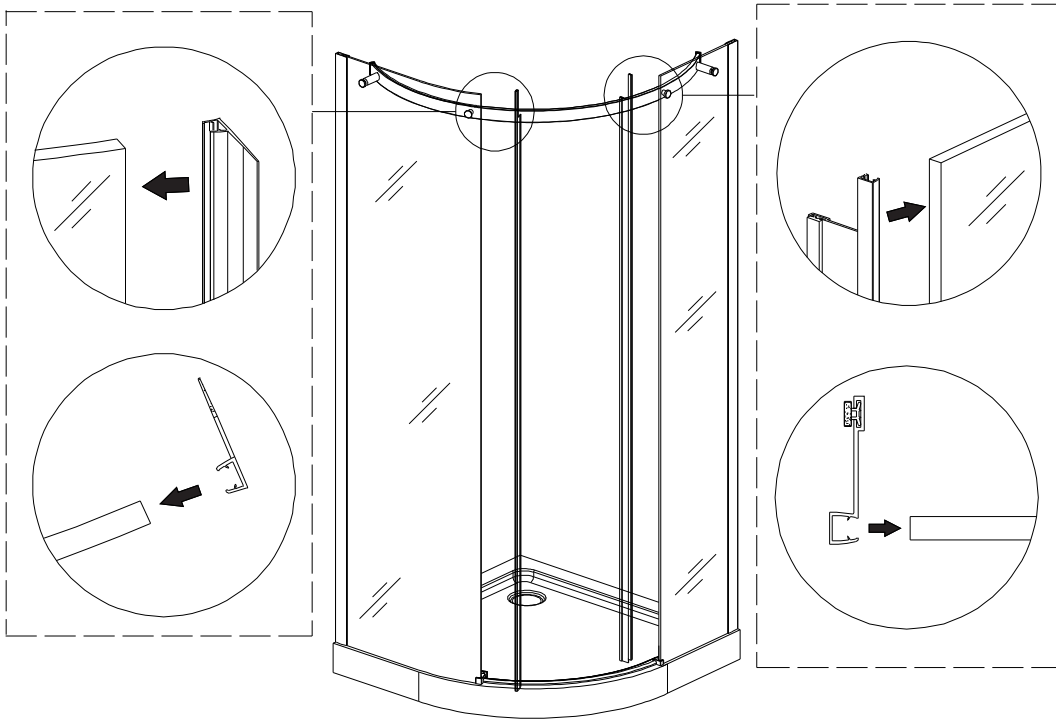
- Put silicone glue on the back of bottom aluminum strip 2ES35, sliding guide 2ES39 and cover 2ES33.
- Insert bottom aluminum strip 2ES35 in to the holes of sliding guide 2ES39 and cover 2ES33.
- Put them on the bottom with sliding guide 2ES39 on the big fixing glass panel and cover 2ES33 on the small fixing glass panel.



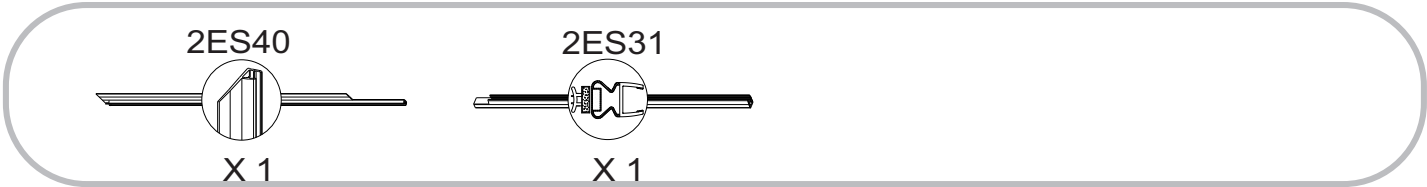
⑥ ASSEMBLY INSTRUCTIONS



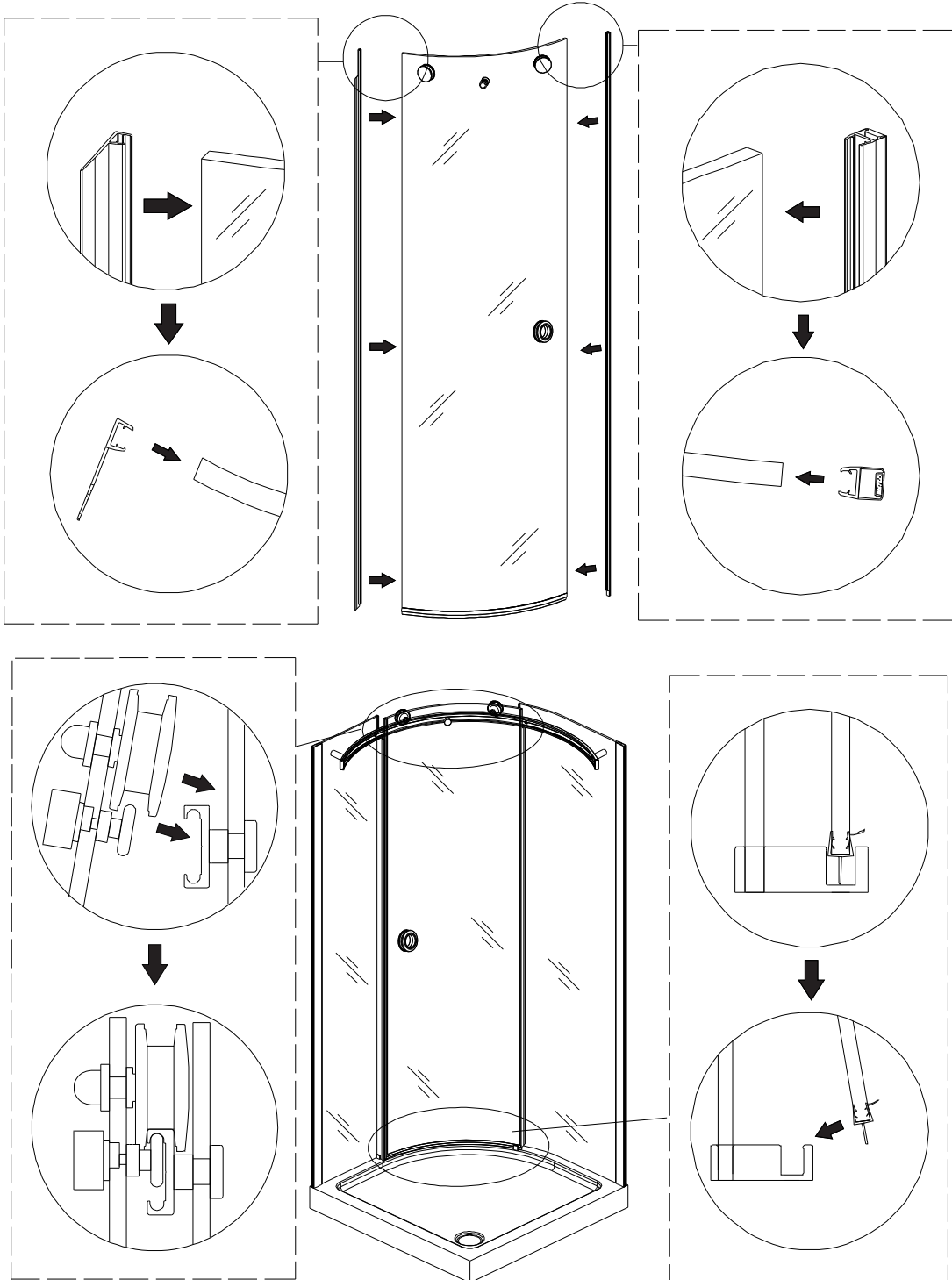
- Apply vertical sealer 2ES09 on the edge of big fixing glass panel. Apply magnetic strip 2ES30 on the edge of small glass panel.
- Mount top roller 2ES22 and anti-jump part 2ES21 on the top of door 2ES32.
- Mount handle on door 2ES32 and make sure washers on 2 sides of glass before fasten
- Apply bottom sealer 2ES34 on the bottom of door 2ES32.



7 ASSEMBLY INSTRUCTIONS



-Apply vertical sealer 2ES40 and magnetic strip 2ES31 on the two edge of door 2ES32.
Please make sure magnetic strip 2ES31 on the handle side.
-Hang door 2ES32 on the rail profile with roller on top and anti-jump part in the channel of rail profile. Put bottom door with sealer into the channel of sliding guide.



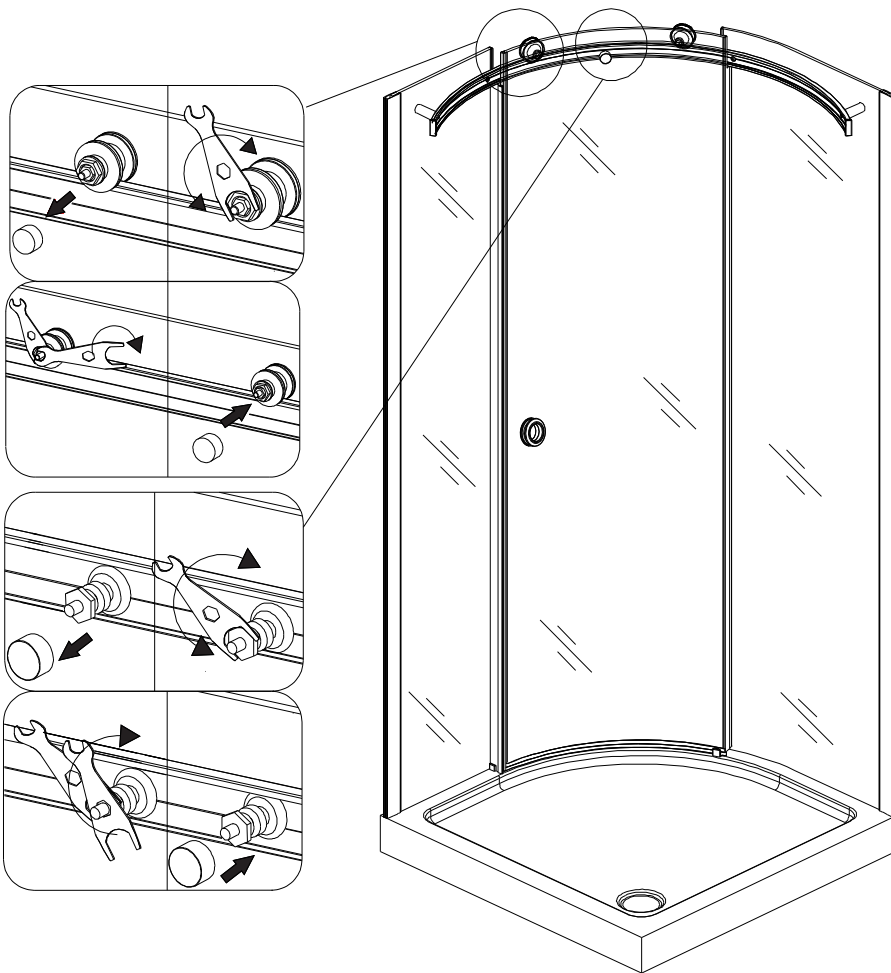
8 ASSEMBLY INSTRUCTIONS

2ES26



X 2

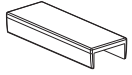
- The roller is adjustable to make sure door is vertical in good condition.
- Take off the cover on the back of roller. Turn the nut with tool 2ES26. There is 4-5mm height to adjust. Please make sure the door has good matching close for magnetic strips.
- Put on the cover on the back of roller after adjustment.



The rollers are eccentric and designed to adjust up and down by 5mm. Adjust the back of the roller as shown to ensure the door is vertical and level with fixed panels. Once adjusted correctly the magnetic strips will be parallel and in full contact top to bottom.

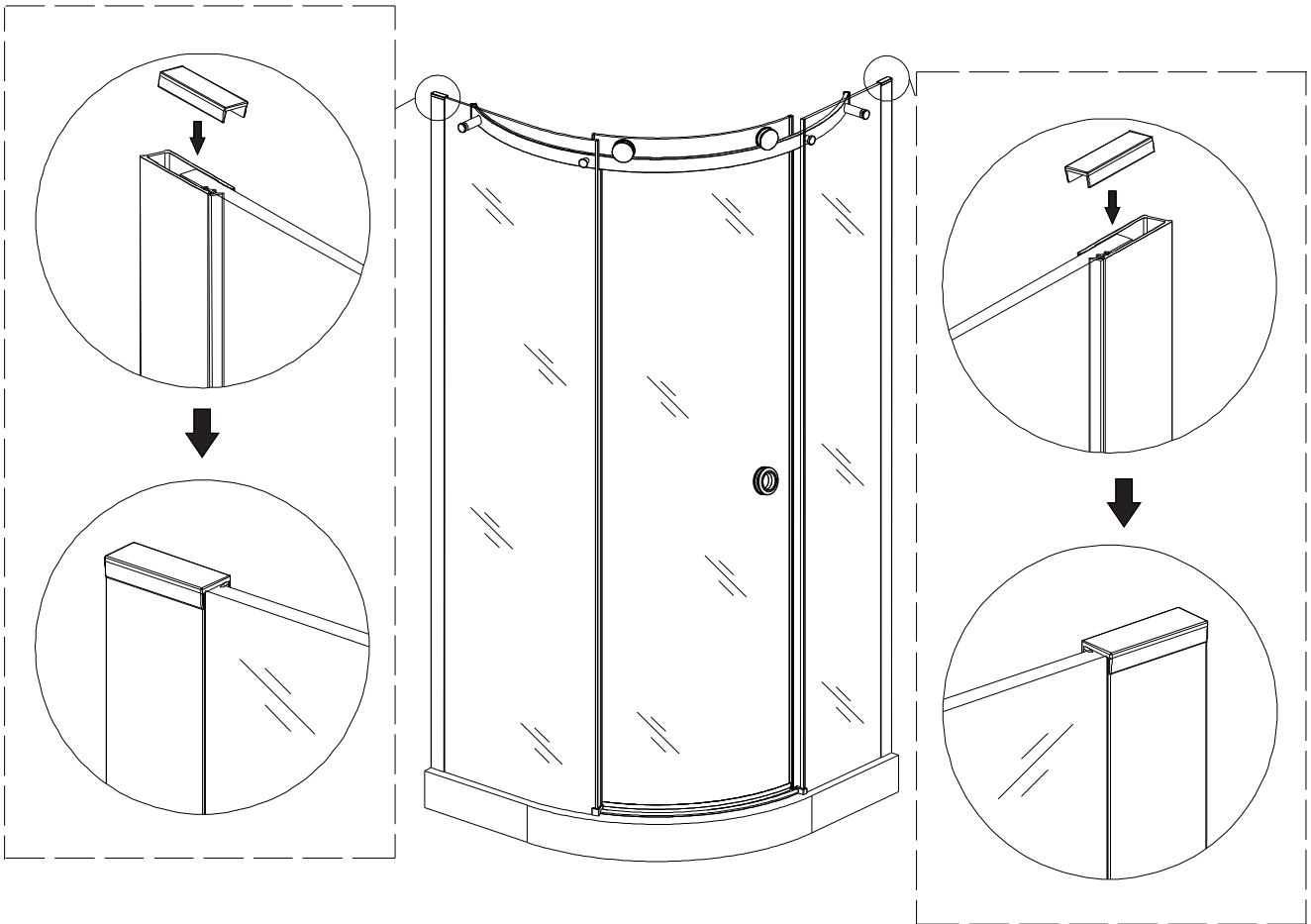
⑨ ASSEMBLY INSTRUCTIONS

2ES01

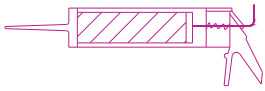


X 2

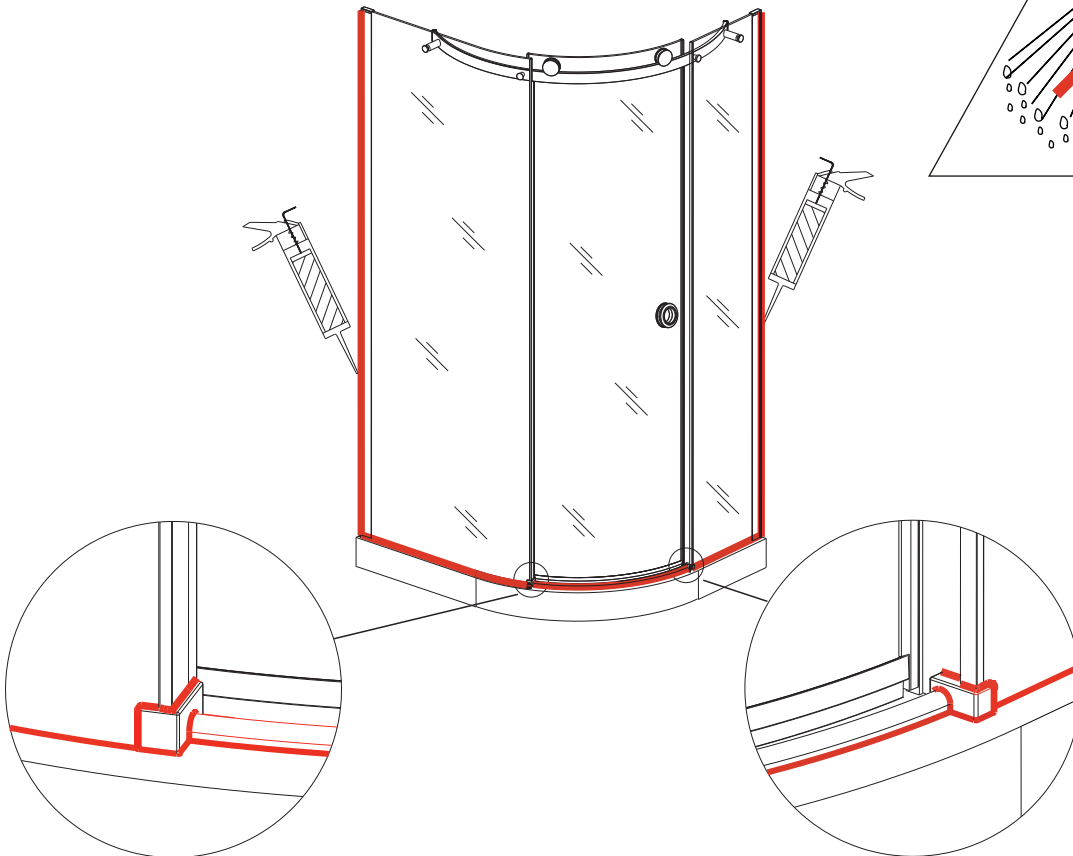
- Put top cover 2ES01 on the top of wall profiles.



10 ASSEMBLY INSTRUCTIONS



- Apply silicone sealant to the outside of the enclosure.
- Please note: Do not apply silicone sealant to the inside of the enclosure.



Silicone (according to the thick line position) where the vertical profiles meet the wall, parts meet parts and the glass panels meet the tray.

Cleaning and Maintenance:

Please do not use abrasive or strong cleaning solutions on the shower enclosure, such as alcohol, petroleum liquids or any other chemical cleaner.

Should there be any dirty stains on the shower enclosure, please clean it with a soft lint free cloth and warm soapy water. Please rinse it with clean water afterwards.

Sealant drying times may vary in cold damp conditions and will be extended where thicker beads of sealant are applied. Allow sealant to dry completely before exposing to water.

We have taken great care to ensure that this product reaches you in perfect condition. However should any parts be damaged or missing please contact your point of purchase. This does not affect your statutory rights. In addition if you require replacement parts your point of purchase will be happy to assist.

For information and support phone: 0845 47024 27

V18I21