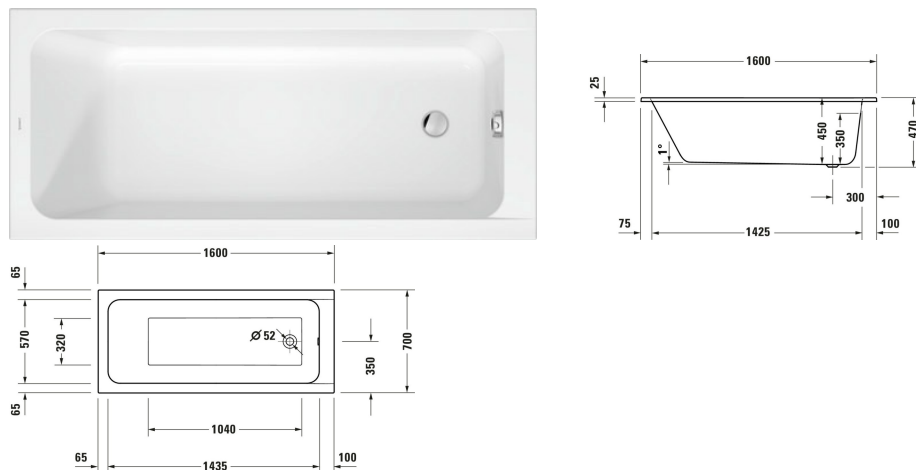


D-Code Bathtub # 700669000000000

|< 1600 mm >|

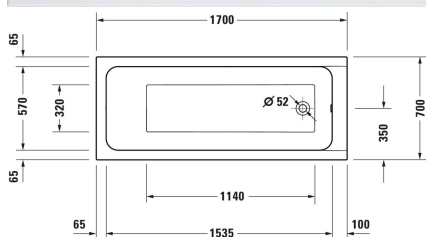
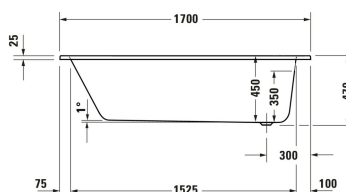
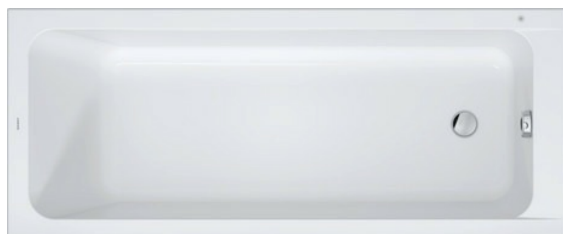


Bathtub	Dimension	Weight	Order number
Rectangular, Type of installation: built-in, White High Gloss, Material: Sanitary acrylic, Number of backrests: 1 Variable, Overflow: Yes, Waste outlet position: Foot end, Overflow position: Foot end, Capacity: 213 l, Internal depth: 450 mm			
<b>Colors</b>			
00 White Alpin			
<b>Variant</b>			
	1600x470 mm	19.800 kg	700669000000000
<b>Suitable products</b>			
Bathtub anchors , 100 x 30 mm	100 x 30 mm		790125
Waste and overflow Circular with recessed grip, Bowden cable length: 530 mm, Diameter waste plug: 52 mm, 400 x 80 mm	400 x 80 mm		790225
Rubber profile , 3300 x 4 mm	3300 x 4 mm		790126
Support frame Suitable for series D-Code, D-Neo, Duravit No.1, Height: 115-180 mm, 580 x 40 mm	580 x 40 mm		790127
Tub handle Chrome, 311 x 56 mm	311 x 56 mm		792804
Noise reduction set Material: bitumen, PE foam, 520 x 400 mm	520 x 400 mm		791368
Bathtub support , 1570 x 670 mm	1570 x 670 mm		792462

All drawings contain the necessary measurements which are subject to standard tolerances. They are stated in mm and are non-binding. Exact measurements, in particular for customised installation scenarios, can only be taken from the finished piece.

D-Code Bathtub # 700670000000000

< 1700 mm >

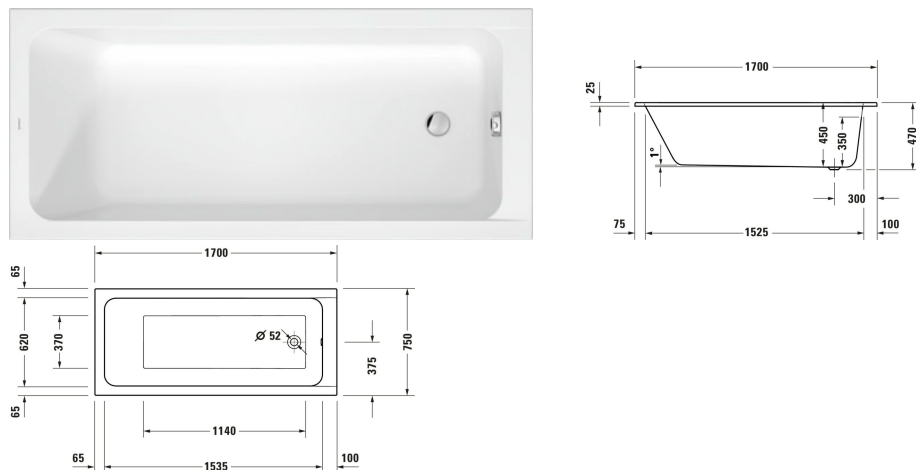


Bathtub	Dimension	Weight	Order number
Rectangular, Type of installation: built-in, White High Gloss, Material: Sanitary acrylic, Number of backrests: 1 Variable, Overflow: Yes, Waste outlet position: Foot end, Overflow position: Foot end, Capacity: 230 l, Internal depth: 450 mm			
<b>Colors</b>			
00 White Alpin			
<b>Variant</b>			
	1700x470 mm	20.500 kg	700670000000000
<b>Suitable products</b>			
Bathtub anchors , 100 x 30 mm	100 x 30 mm		790125
Waste and overflow Circular with recessed grip, Bowden cable length: 530 mm, Diameter waste plug: 52 mm, 400 x 80 mm	400 x 80 mm		790225
Rubber profile , 3300 x 4 mm	3300 x 4 mm		790126
Support frame Suitable for series D-Code, D-Neo, Duravit No.1, Height: 115-180 mm, 580 x 40 mm	580 x 40 mm		790127
Tub handle Chrome, 311 x 56 mm	311 x 56 mm		792804
Noise reduction set Material: bitumen, PE foam, 520 x 400 mm	520 x 400 mm		791368
Bathtub support , 1670 x 575 mm	1670 x 575 mm		792463

All drawings contain the necessary measurements which are subject to standard tolerances. They are stated in mm and are non-binding. Exact measurements, in particular for customised installation scenarios, can only be taken from the finished piece.

D-Code Bathtub # 700671000000000

| < Ø 52 mm > |



Bathtub	Dimension	Weight	Order number
Rectangular, Type of installation: built-in, White High Gloss, Material: Sanitary acrylic, Number of backrests: 1 Variable, Waste outlet position: Foot end, Capacity: 253 l, Internal depth: 450 mm			
<b>Colors</b>			
00 White Alpin			
<b>Variant</b>			
	1750x470 mm	21.500 kg	700671000000000
<b>Suitable products</b>			
Bathtub anchors , 100 x 30 mm	100 x 30 mm		790125
Waste and overflow Circular with recessed grip, Bowden cable length: 530 mm, Diameter waste plug: 52 mm, 400 x 80 mm	400 x 80 mm		790225
Rubber profile , 3300 x 4 mm	3300 x 4 mm		790126
Support frame Suitable for series D-Code, D-Neo, Duravit No.1, Height: 115-180 mm, 580 x 40 mm	580 x 40 mm		790127
Tub handle Chrome, 311 x 56 mm	311 x 56 mm		792804
Noise reduction set Material: bitumen, PE foam, 520 x 400 mm	520 x 400 mm		791368
Bathtub support , 1670 x 720 mm	1670 x 720 mm		792464

All drawings contain the necessary measurements which are subject to standard tolerances. They are stated in mm and are non-binding. Exact measurements, in particular for customised installation scenarios, can only be taken from the finished piece.