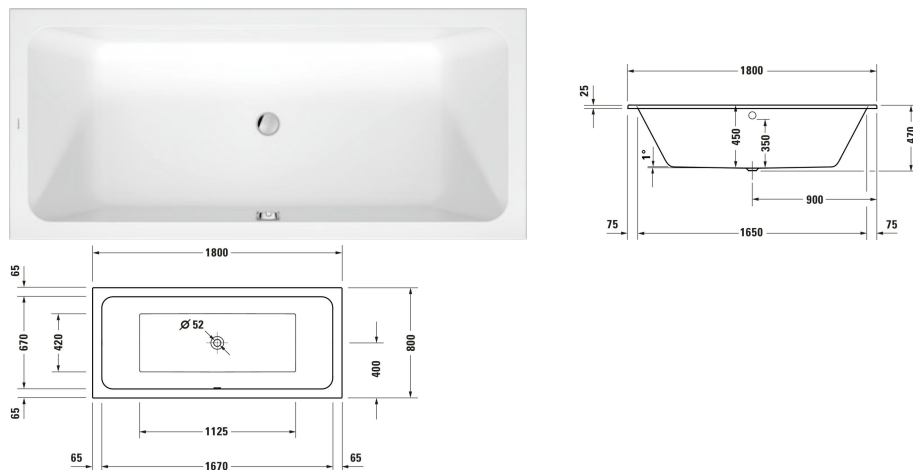


D-Code Bathtub # 700672000000000

|< 1800 mm >|



Bathtub	Dimension	Weight	Order number
Rectangular, Type of installation: built-in, White High Gloss, Material: Sanitary acrylic, Number of backrests: 2, Overflow: Yes, Waste outlet position: Middle, Overflow position: Middle, Capacity: 285 l, Internal depth: 450 mm			
Colors			
00 White Alpin			
Variant			
	1800x470 mm	23.000 kg	700672000000000
Suitable products			
Bathtub anchors , 100 x 30 mm	100 x 30 mm		790125
Waste and overflow Circular with recessed grip, Bowden cable length: 1000 mm, Diameter waste plug: 52 mm, 400 x 80 mm	400 x 80 mm		790226
Rubber profile , 3300 x 4 mm	3300 x 4 mm		790126
Support frame Suitable for series D-Code, D-Neo, Duravit No.1, Height: 115-180 mm, 580 x 40 mm	580 x 40 mm		790127
Tub handle Chrome, 311 x 56 mm	311 x 56 mm		792804
Noise reduction set Material: bitumen, PE foam, 520 x 400 mm	520 x 400 mm		791368
Bathtub support , 1770 x 770 mm	1770 x 770 mm		792465

All drawings contain the necessary measurements which are subject to standard tolerances. They are stated in mm and are non-binding. Exact measurements, in particular for customised installation scenarios, can only be taken from the finished piece.