

PRODUCT DATA SHEET



PRODUCT CODE
PROMODPUSH2701LBPC

RANGE

Module

DESCRIPTION

Module MRPO Push 2 Outlet Trimset with Handset Chrome

WEBSITE LINK [Click Here](#)

CATEGORY	Brassware
WARRANTY DETAILS	15 Years
COLOUR	Chrome
FINISH APPLICATION	Immersion Plating
PRIMARY MATERIAL	Zamac
SECONDARY MATERIAL	Plastic
INSTALL TYPE	Wall Mounted
PRODUCT WIDTH MM	70
PRODUCT HEIGHT MM	70
PRODUCT LENGTH MM	385
PRODUCT NET WEIGHT KG	2.2
STANDARDS	NO

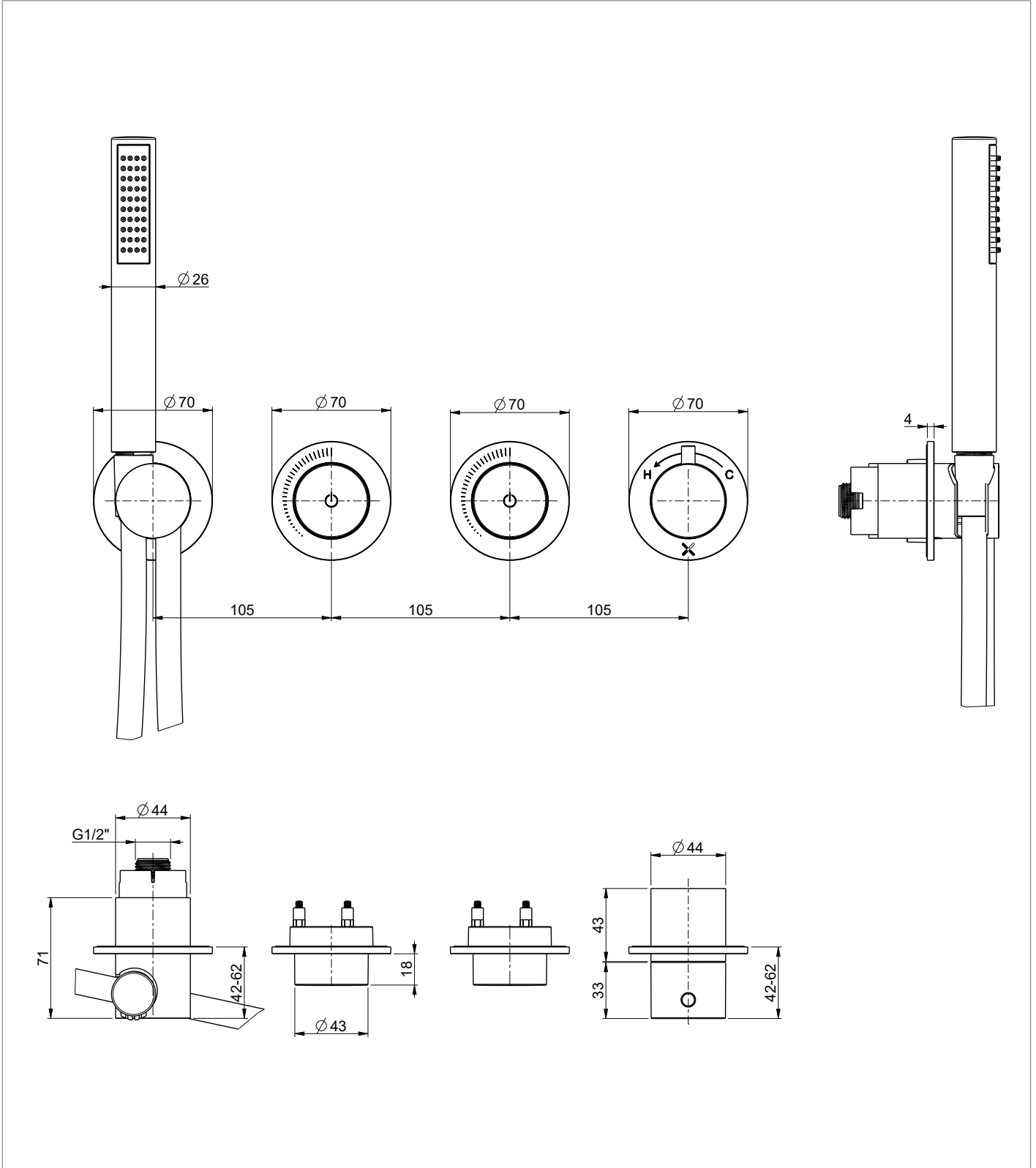
MINIMUM PRESSURE (BAR)	1
MAX WORKING PRESSURE (BAR)	5
NUMBER OF FUNCTIONS	2
SWIVEL SPOUT	No
WASTE INCLUDED	No
ANTI-SCALD	No
ENERGY SAVING	No
SHOWER HOSE & HANDSET ARE INCLUDED	Yes

PRESSURE (BAR)	0.2	0.5	1	2	3	4	5
PRIMARY FLOWRATE							
HANDSET FLOWRATE			9.7	13.6	16.6	19.1	21.8
MASSAGE FLOW RATE							
AIR FLOW RATE							
WIRE FLOW RATE							
WATERFALL FLOW RATE							
MIST FLOW RATE							
HANDSPRAY FLOW RATE							

TECHNICAL DIMENSIONS

Dimensions in mm unless otherwise specified.

Tolerances (per material type) apply.



SPARES LIST

Only the parts labelled are available as spares.

SPARES AVAILABLE UPON REQUEST