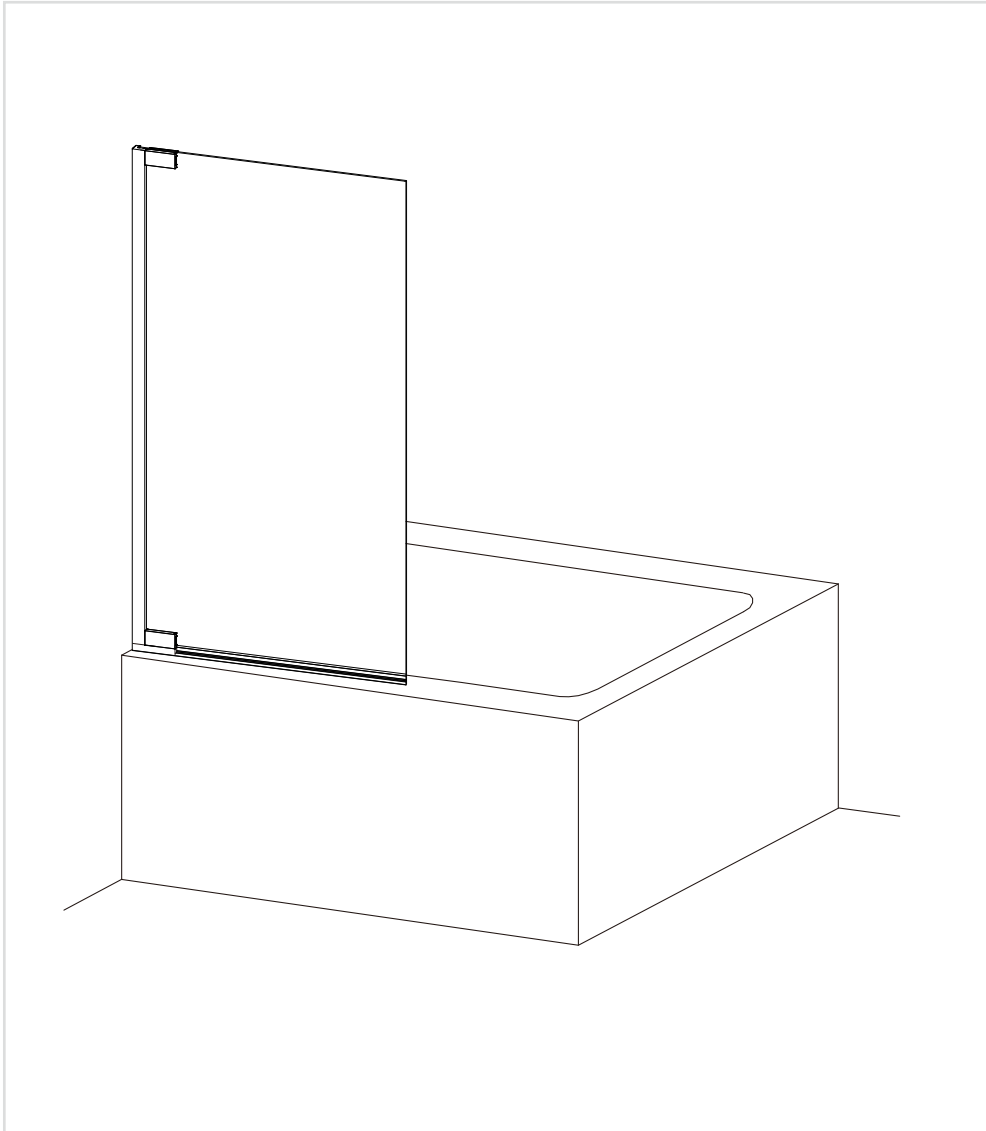


ASURA

Hinged Single Bath Screen



PRODUCT CODES:

AUBSBC0900

AUBSTC0900

AUBSVC0900

AUBSFC0900

AUBSBZC0900

AUBSCC0900



IMPORTANT INFORMATION

Please read carefully and keep this information for further reference.

BEFORE STARTING THE INSTALLATION ENSURE ALL THE DOOR SIZE MEASUREMENTS CORRESPOND WITH THE INSTALLATION AREA INCLUDING THE FINISHED TILED/PANELLED WALLS. RETURNS DUE TO INCORRECT SIZING WILL NOT BE ACCEPTED.

Check the contents of the pack carefully before installation. Crosswater will not be held responsible for any de-fit / re-fit costs where faulty product has been fitted. If any fault is found with materials or workmanship, it must be reported immediately to the manufacturer. Remedial action will be taken, based on information received, on condition that:

1. Full details are supplied to the manufacturer;

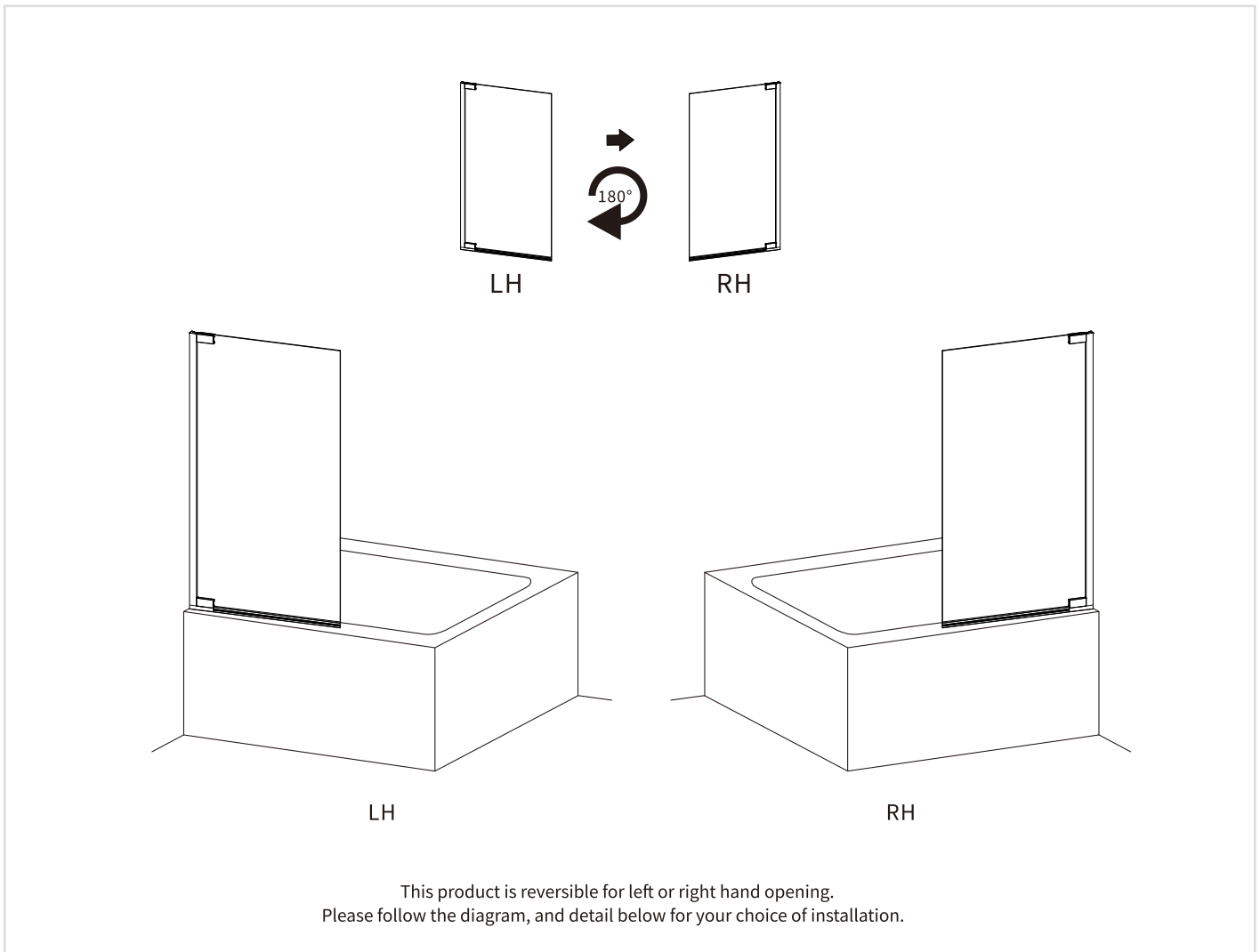
2. The bath screen has not been modified or tampered with;

3. The manufacturer is informed of any damage/shortages prior to installation.

VERY IMPORTANT

You must complete all tiling and grouting, and the bathtub **MUST** be level and fully sealed to the tiles before installation. If you do not fit the bath screen onto a tiled surface, or seal the tiles to the bath before installation, water may soak into the wall behind the wall profiles.

ORIENTATION



IMPORTANT INFORMATION

Please read carefully and keep this information for further reference.

The installation instructions are based on typical use and conditions. All doors are designed to open outwards only. These hints have been prepared for your guidance, you must exercise due care at all times. For Health and Safety 2 people must carry out the installation of this shower enclosure. Handle glass with care. Although the glass supplied is toughened safety glass (EN12150), impacts can damage both the glass and the frame.

BEFORE YOU START

Warning!

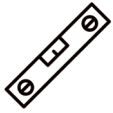


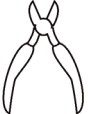





Please check for any hidden pipes or cables before drilling holes in the wall.

When using power tools always follow the manufacturers user instructions.

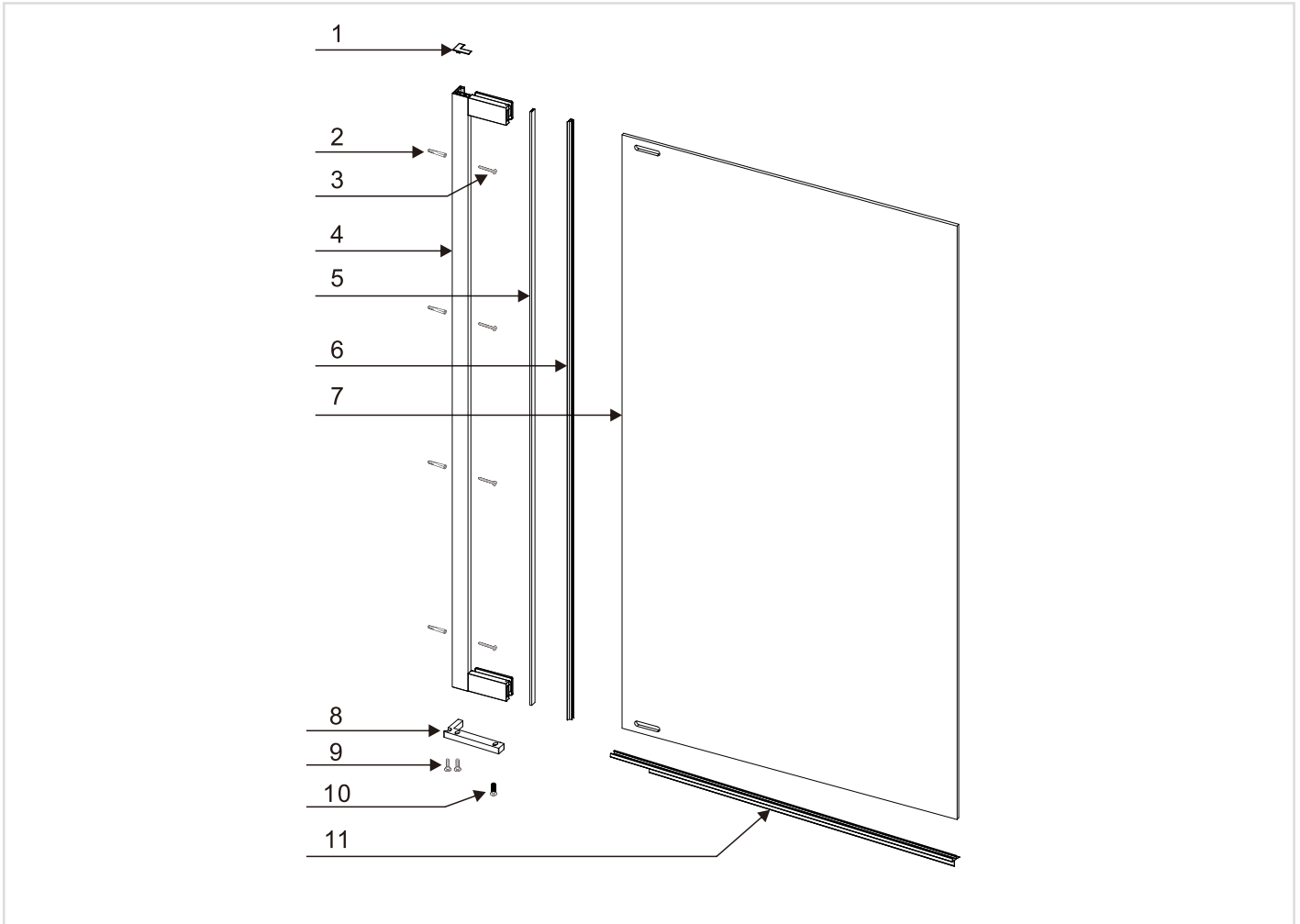
If the Framework is sealed to the bath on the inside, any water that may get into the framework will not be able to drain back into the bath, this may cause the bath screen to leak.

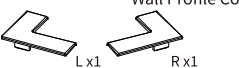






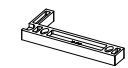




Leave the silicone sealant to dry for 24 hours before using the bath screen.

Tools Required (not supplied):

Spirit Level		Torque Screw Driver	
Pencil		Snips	
Drill		6mm Drill Bit	
Silicone		Measuring Tape	
Knife			

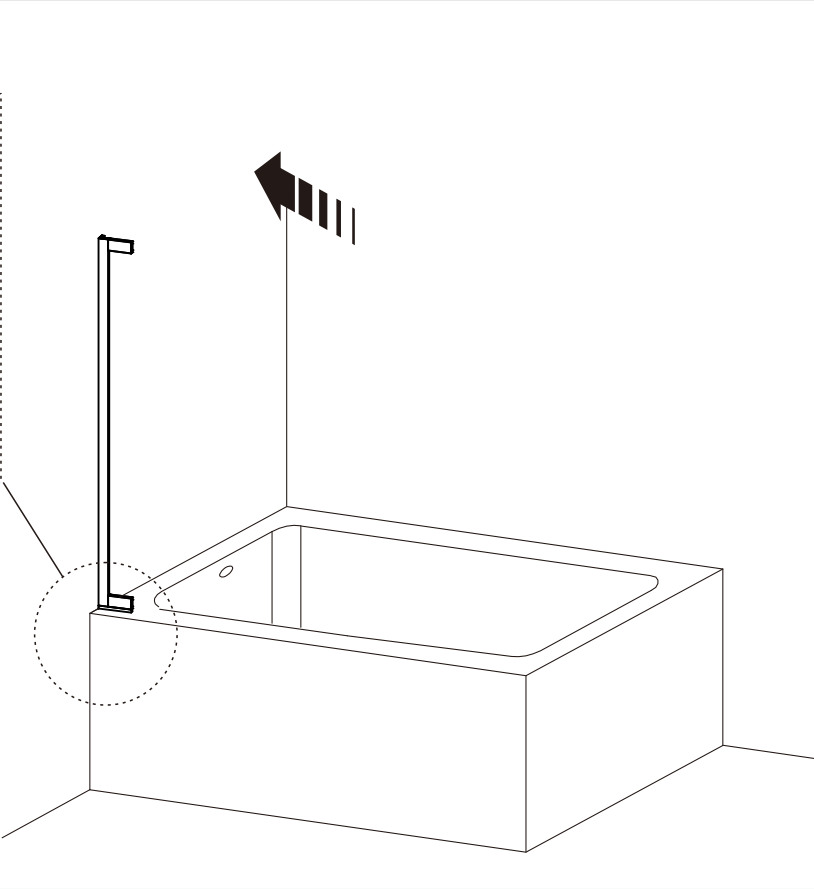
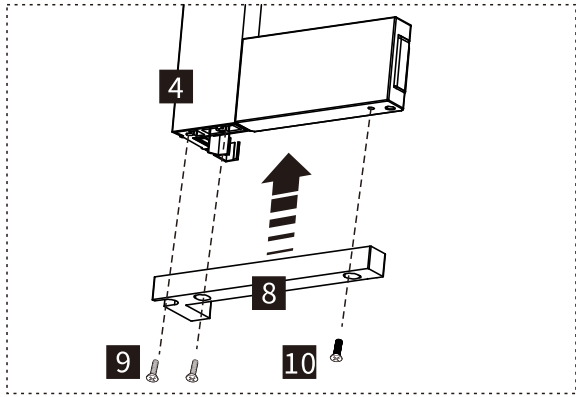
COMPONENTS



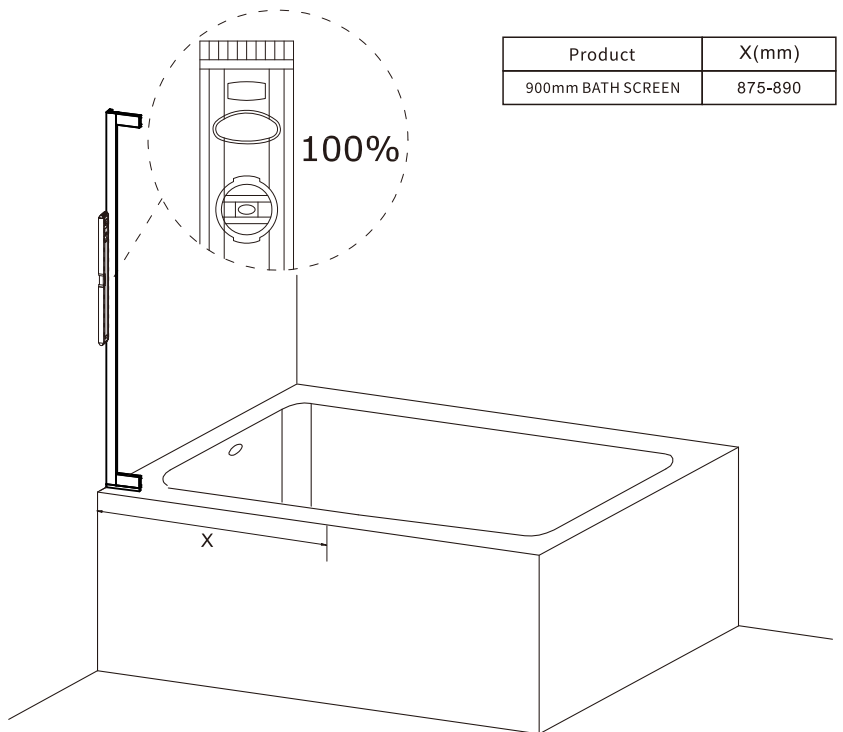
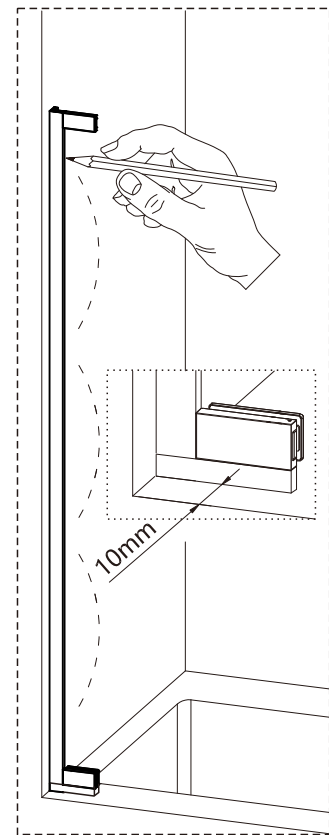
1	 Wall Profile Cover L x1 R x1	2	 Wall Plug x4	3	 4x50mm Screw x4	4	 Wall Profile x1
5	 Profile Cover x1	6	 Vertical Door Seal x1	7	 Moving Panel x1	8	 Hinge Seat x1
9	 ST4x12mm Screw x2	10	 M4x12mm Screw x1	11	 Bottom Seal x1	12	 Allen Key 4mm x1

INSTALLATION

1

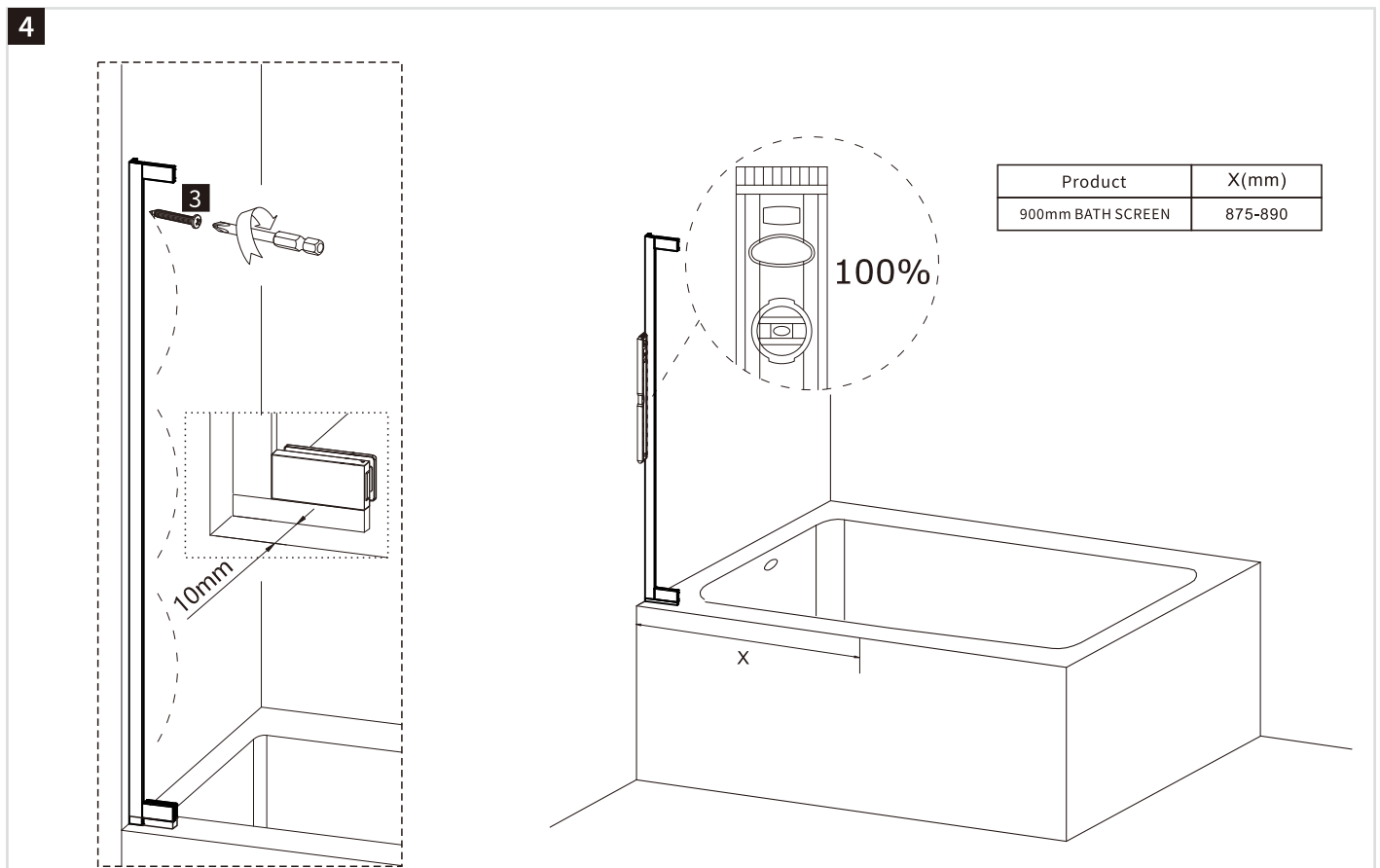
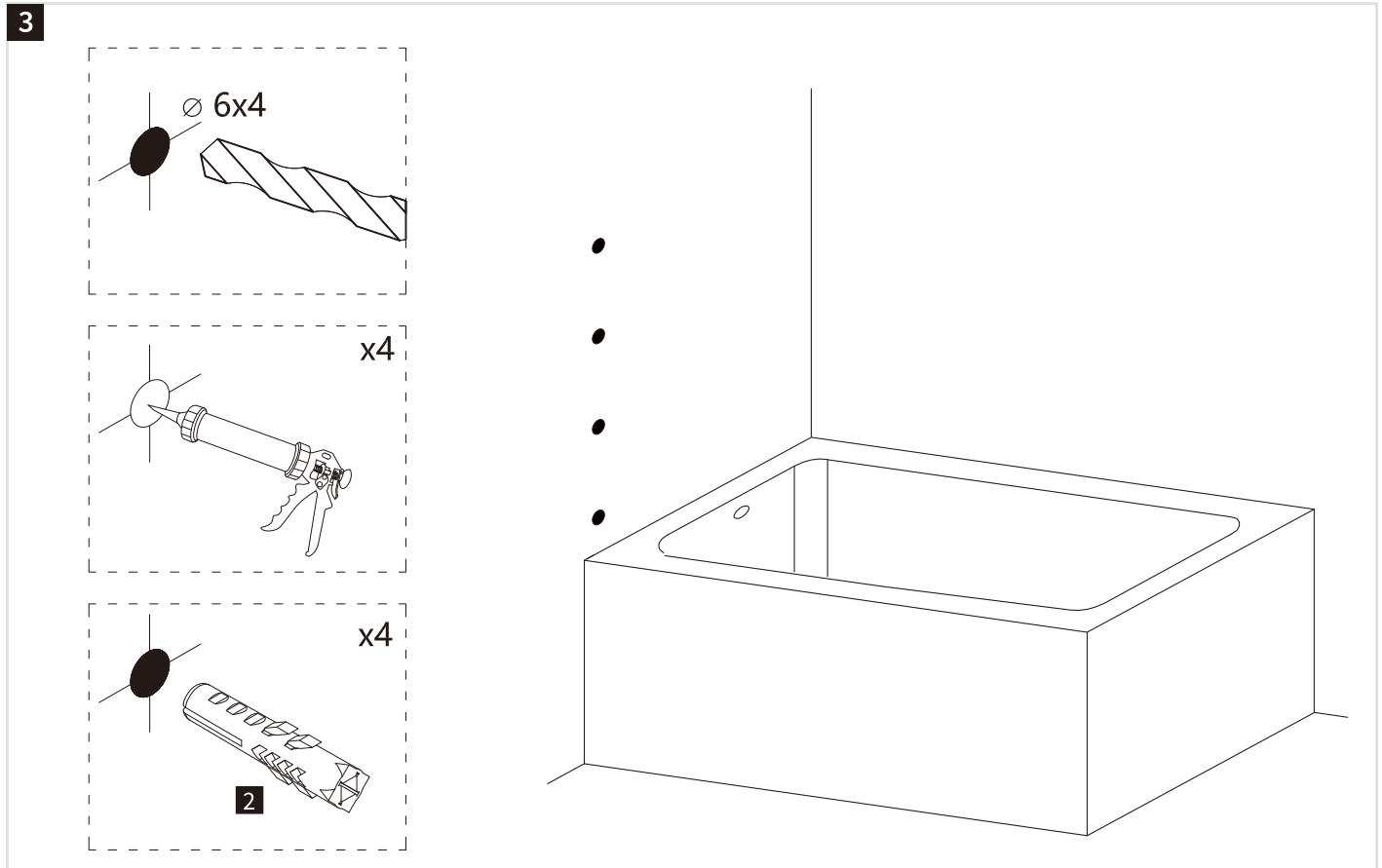


2

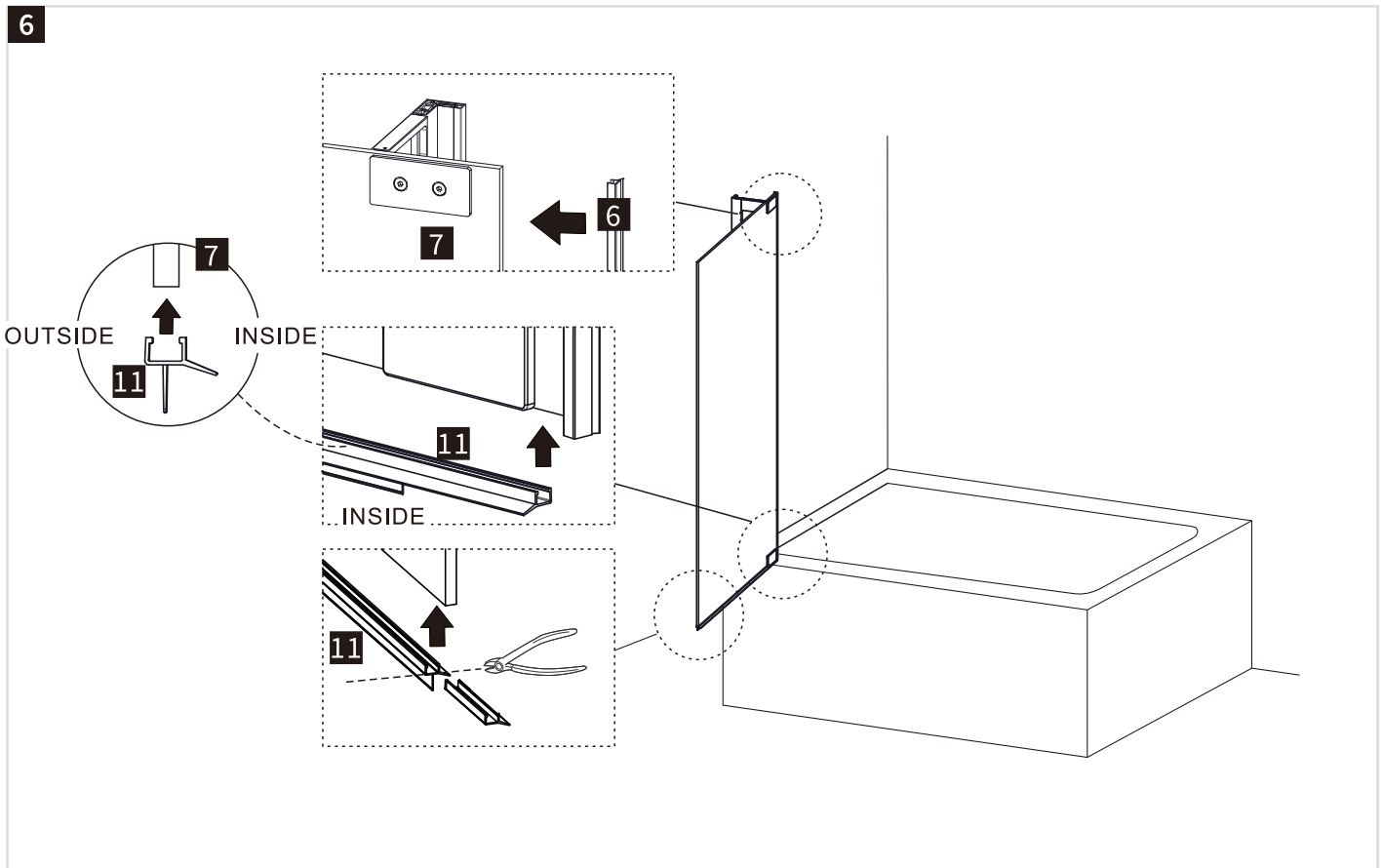
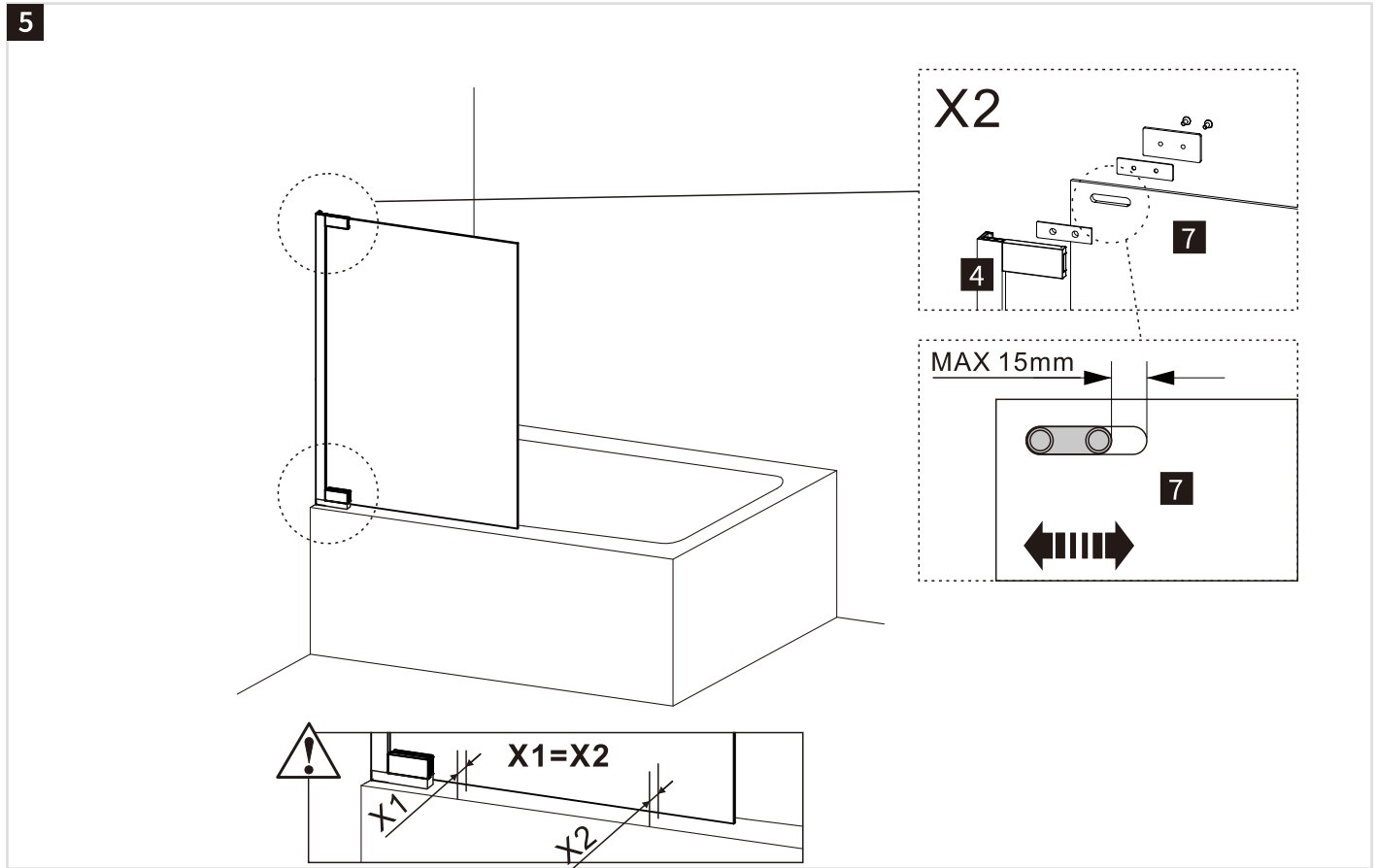


Product	X(mm)
900mm BATH SCREEN	875-890

INSTALLATION

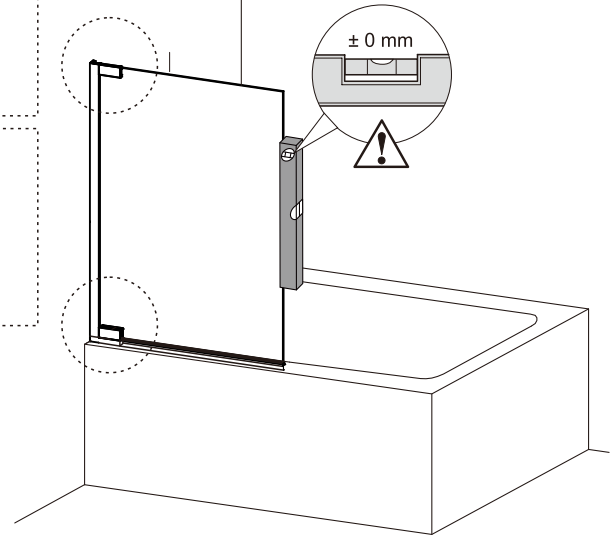
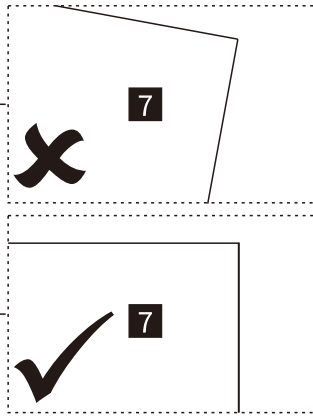
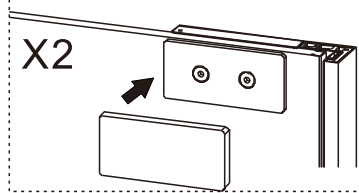
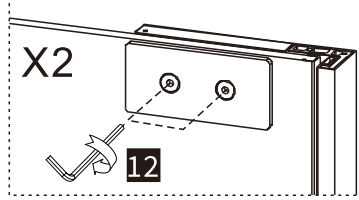
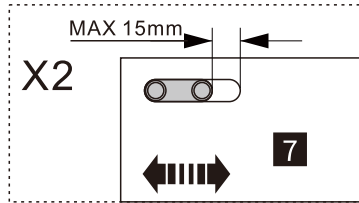
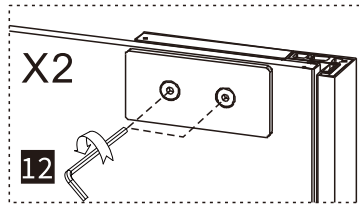


INSTALLATION

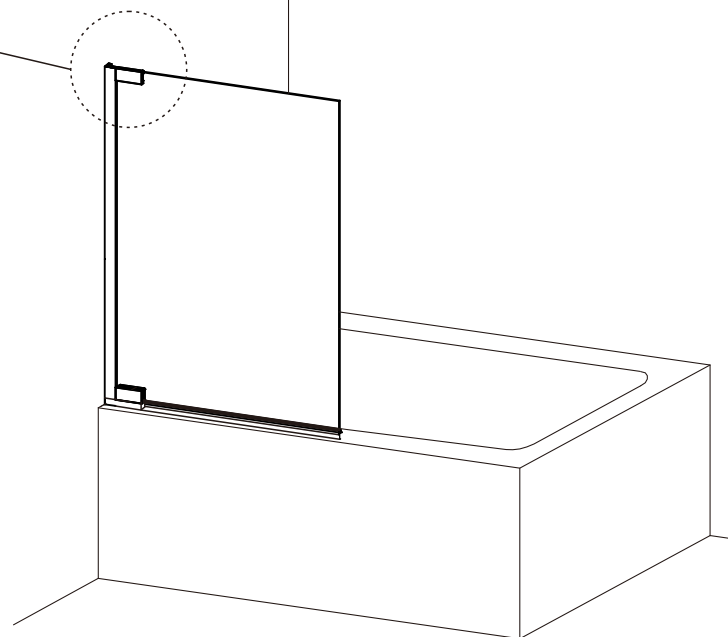
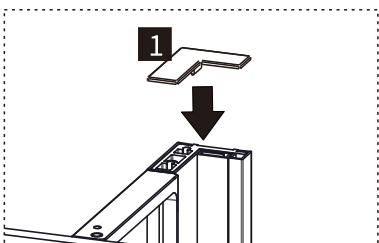
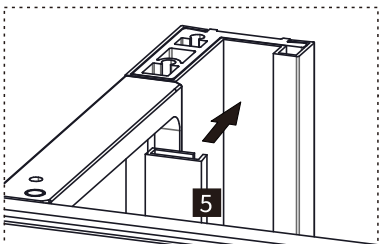


INSTALLATION

7

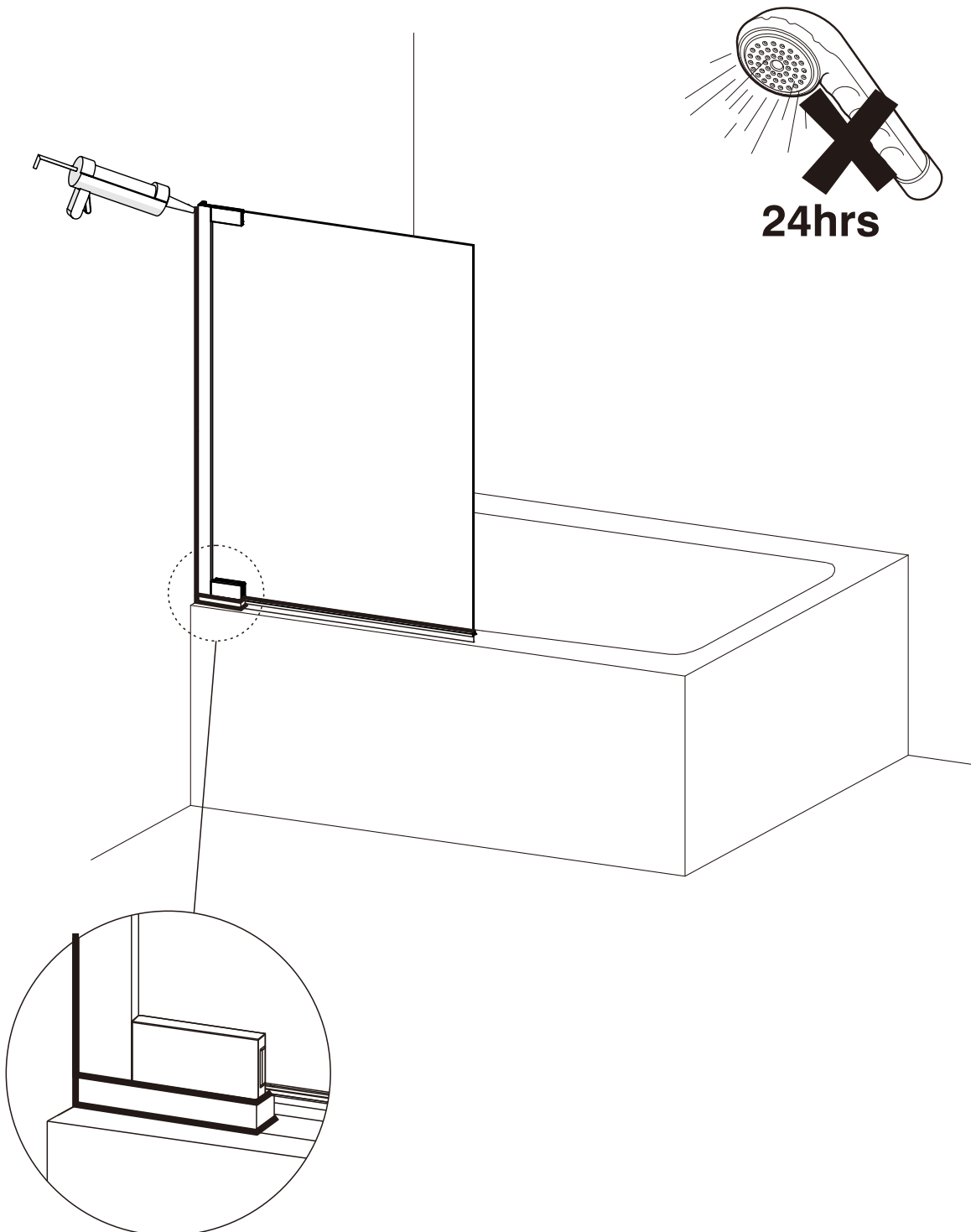


8



INSTALLATION

9



CARE & MAINTENANCE

Do not use solvents or abrasive materials or chemicals to clean bath screen.

PH < 6.8, PH > 7.2

Only use soapy water and soft cloth, rinse thoroughly afterwards.

PH = 6.8 - 7.2

