

HEALTH & SAFETY WARNING

DUE TO THE WEIGHT & SIZE OF THE SHOWERTRAY A MINIMUM OF TWO PERSONS ARE REQUIRED TO MOVE AND INSTALL THIS ENCLOSURE

INSTALLATION INSTRUCTIONS

TRAY MUST BE STORED FLAT ON A LEVEL SURFACE

Please read these instructions throughout before installing as incorrect fitting will invalidate the guarantee. We recommend that a technically competent installer/s undertake the installation.

If you are unsure about these instructions please contact Kudos Shower Products 01539 564040

PRIOR TO INSTALLATION

The showertray must be checked thoroughly for defects. In the unlikely event that the product has a defect, it must not be installed and you should contact your supplier.

Checks should include, but not limited to, the following:

- Remove all packaging and the protective clear film on the showertray and ensure the colour and finish of the showertray is acceptable.
- Ensure the product is not cracked or chipped.
- Ensure all visible surfaces are free from scratches.
- Ensure that there is no twisting or distortions of the showertray.
- Ensure that the showertray suitably drains water when levelled - refer to details below.
- Ensure that the tray top surface is compatible with the intended shower enclosure, taking into account the loss of dimensions from wall tiles - this is particularly important if you intend to recess the edges of the tray into the walls.

**INSTALLATION OF THE SHOWERTRAY WILL BE TREATED AS ACCEPTANCE OF QUALITY
No liabilities can be claimed for damages during or after the showertray has been installed**

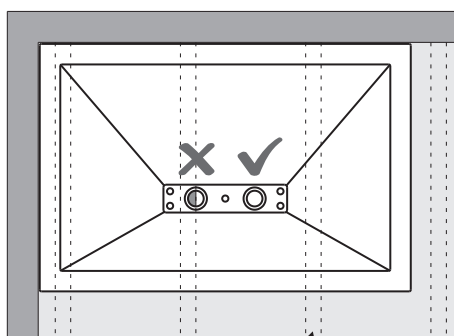
Prior to fitting the showertray, please check that it drains correctly.

- Level the tray around the rim, place a large enough bowl under the tray and pour in water.
- Due to surface tension, large droplets of water will remain but large pools should not be evident (this excludes the rectangular shaped waste well of the showertray).

The connect2 showertray has been designed and developed to ensure at least one of the two waste holes are not obstructed by floor joists

Joists running width of the tray

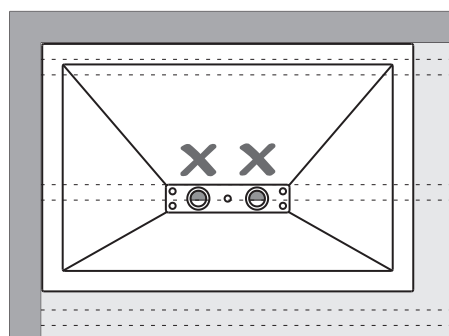
Where joists run parallel with the width of the tray at least one waste hole will always be clear for waste unit



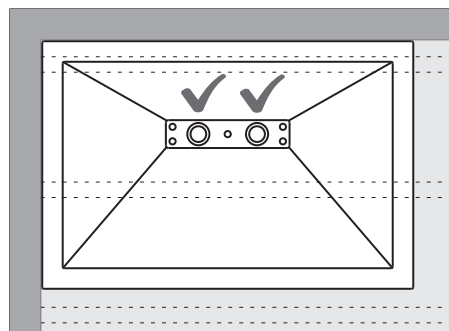
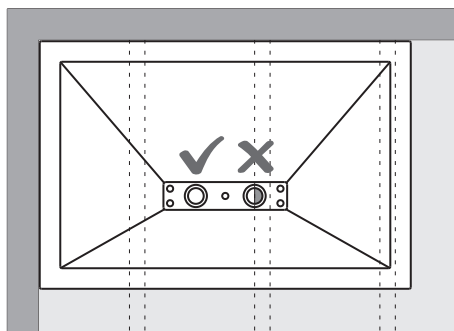
joists under flooring

Joists running length of the tray

Where joists run parallel with the length of the tray and both waste holes are obstructed, turn the tray 180°. The unique offset position will ensure both will be free



Rotate tray 180°
to avoid joists

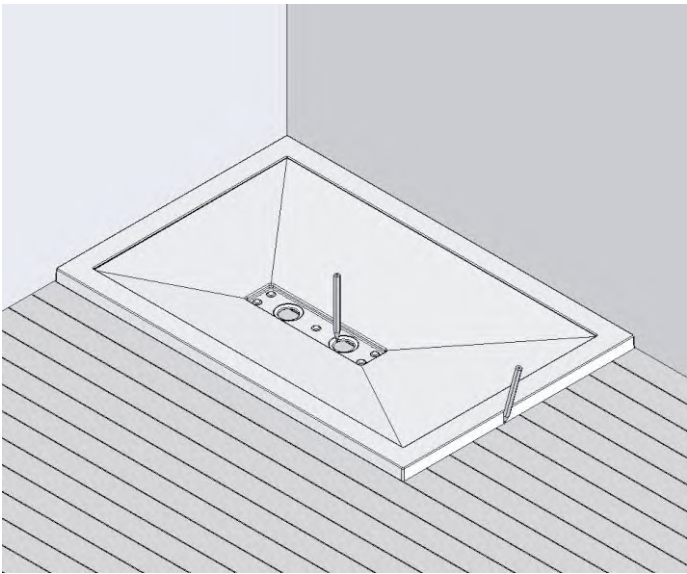


IMPORTANT - fit only the waste unit/s supplied, fitting of any other wastes will nullify the guarantee. Refer to waste instructions in conjunction with these instructions.

This showertray is suitable for installation on both wooden and solid floors.
If fitting to a wooden floor, check floorboards are securely fixed, there must be no movement evident - if in doubt, replace the floorboards with a piece of 18mm(min.) marine grade plywood sheet and secure onto joists with suitable screws.

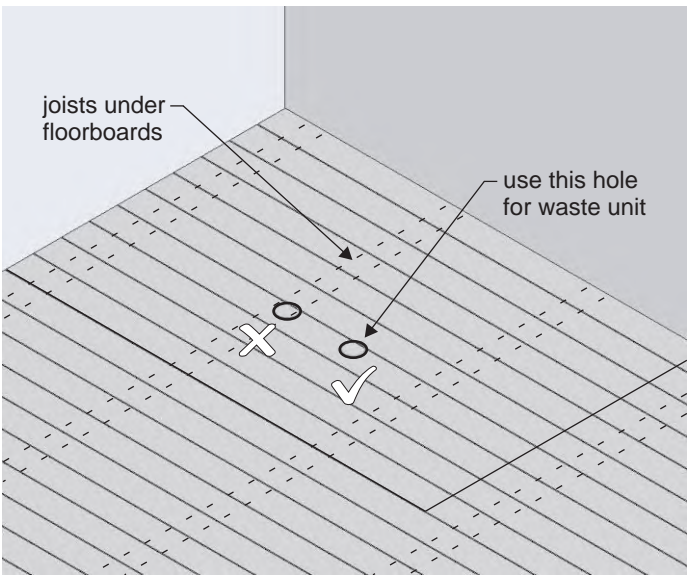
These instructions illustrate the installation of one or two wastes dependent on joists configurations.

1 MARK POSITION OF WASTE HOLES



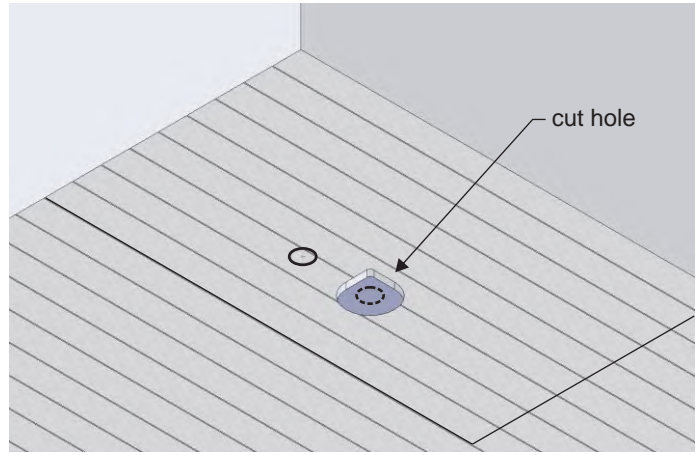
- Place tray into position against the walls, mark through both waste holes onto the floor and around the perimeter of the tray.
- Move the tray to a safe location.

2 IDENTIFY HOLE POSITION FOR WASTE

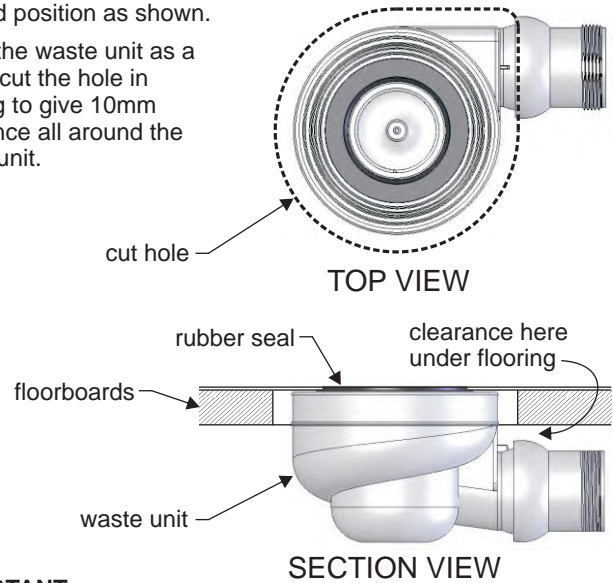


- Identify the location of the joists under the floorboards - screws/nails on the floorboards will be visible to show the centrelines and path of the joists underneath.
TIP - joists will always run at right angles to the floorboards.
- The waste unit will be plumbed to the hole that is free from a joist.

3 CUT HOLE FOR WASTE



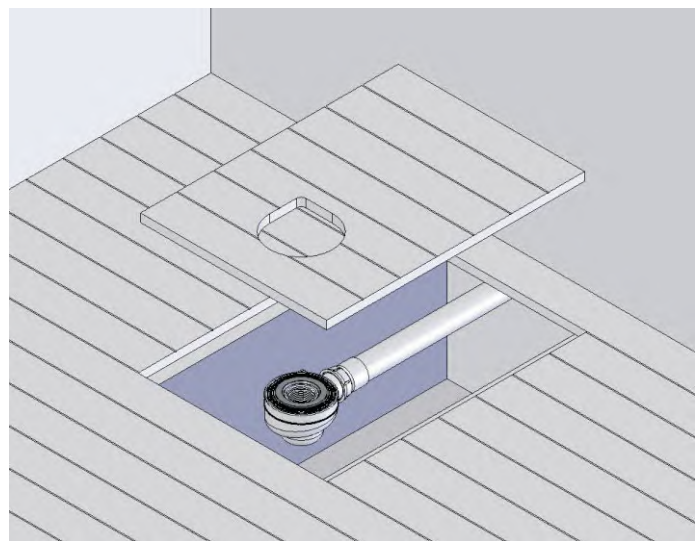
- Cut away hole around marked position as shown.
- Using the waste unit as a guide, cut the hole in flooring to give 10mm clearance all around the waste unit.



IMPORTANT

When fitted the rubber seal of the waste unit must be in FULL contact with the underside of SHOWERTRAY.

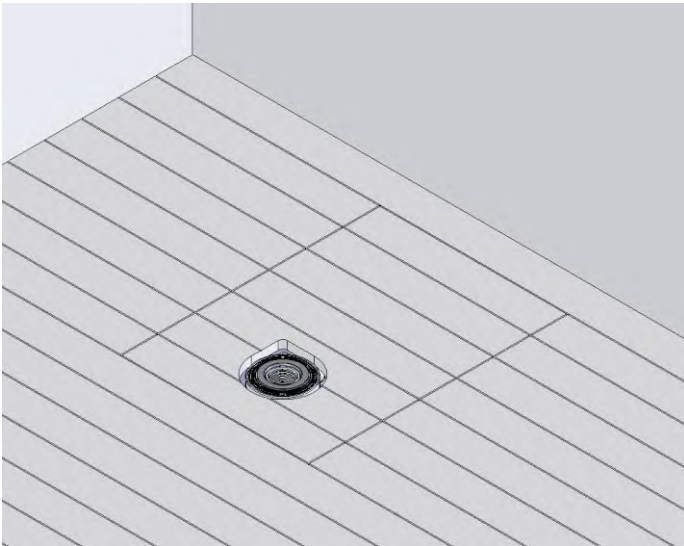
4 REMOVE FLOORBOARDS



- Lift the floorboards from the centreline of joists to plumb the waste unit into the correct position - refer to waste unit instructions.

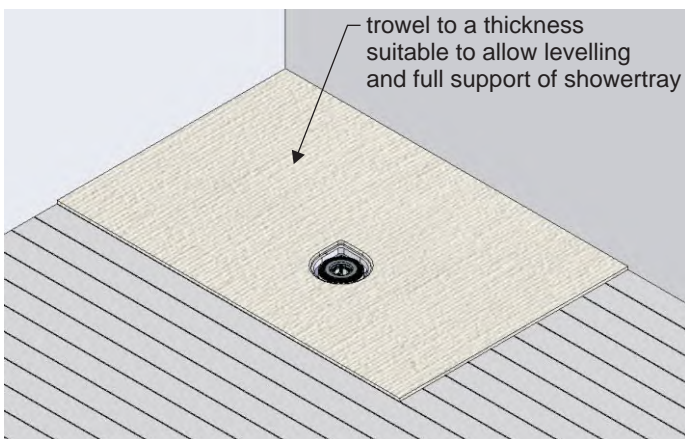
TIP Carefully pour water into waste unit to check for leaks.

5 RE-FIX FLOORBOARDS TO JOISTS



- Re-fix the lifted floorboards to joists using suitable screws. There must be no movement evident after fitting.
- Check that rubber seal on the waste unit is at the correct height to mate comfortably to the underside of showertray (when fitted) without the waste being put under undue strain.

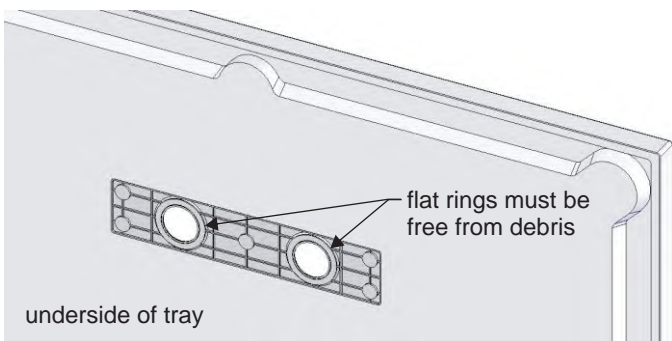
6 APPLY SAND/CEMENT MIX TO FLOOR



- Mix sand and cement (5 parts sand to 1 part cement) adding anti-crumbling agent such as 'Febmix'.
- Using a deep notched trowel, apply to floor area to size of tray. Apply enough mix to allow correct levelling of showertray.

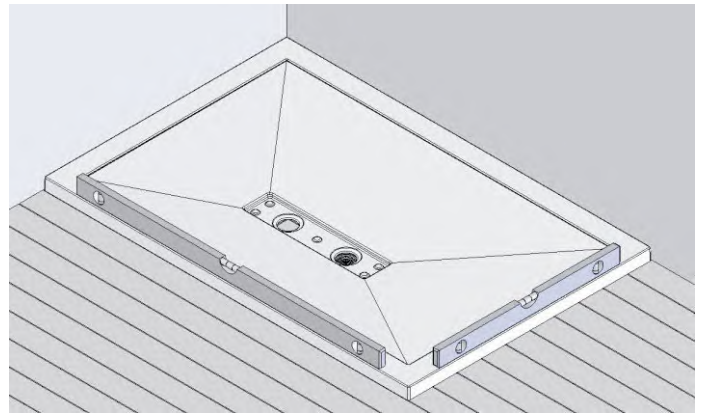
TIP Cover hole in waste unit to prevent the mix from entering

7 CHECK UNDERSIDE OF TRAY



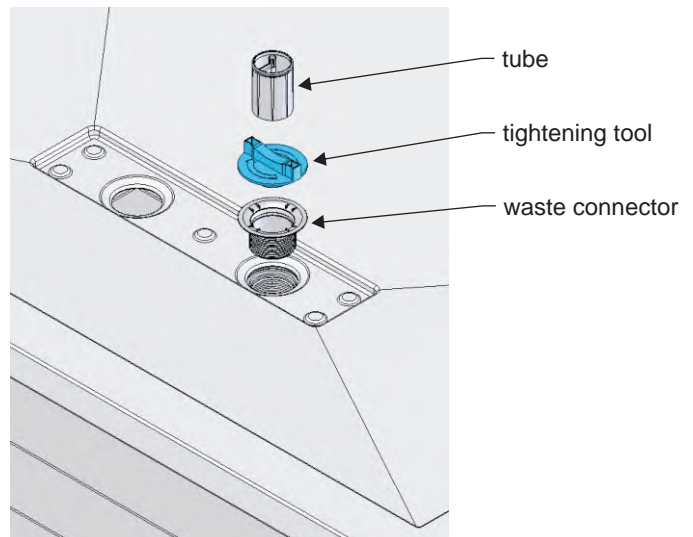
- On underside of tray, ensure the flat ring around the relevant waste hole (or both holes if fitting two wastes) are free from debris. Wipe clean if necessary. This will ensure a clean contact with the rubber seal of the waste unit when fitted.

8 LAY TRAY INTO POSITION



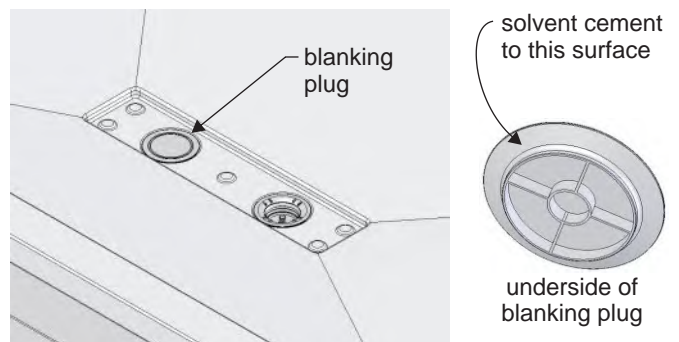
- Carefully lay tray into position against the walls. Tap down tray and check level of outer edges with spirit level. **Showertray must be level.**
- If fitting only one waste, carefully remove excess mix from redundant hole before it sets.

9 CONNECT WASTE TO TRAY



- Apply silicone sealant to underside flange of waste connector and screw fix into waste unit, fully tighten using the blue tightening tool supplied, as shown, then fit tube into connector. Wipe away any surplus sealant with a clean, damp cloth.

10 FIT BLANKING PLUG

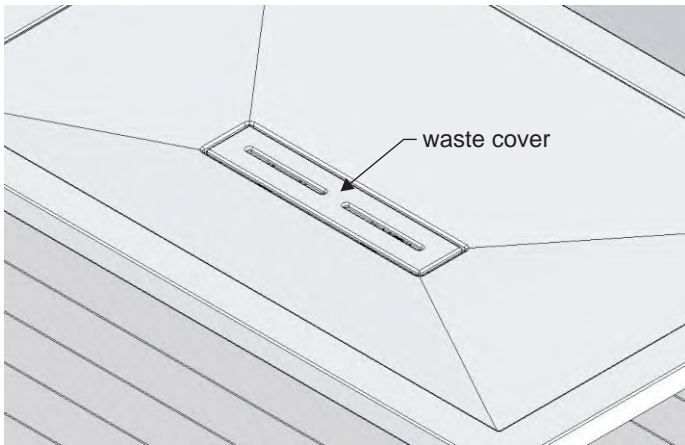


- Apply a full continuous bead of **solvent weld cement** (not supplied) to underside flange of blanking plug. Fit into redundant waste hole of tray, rotating plug slightly when pressing down into position to ensure full continuous solvent joint. Wipe away surplus solvent cement with a clean, damp cloth.

USE SOLVENT CEMENT ONLY TO FIT BLANKING PLUG - use of any other substance eg. silicone sealant, will nullify the guarantee.

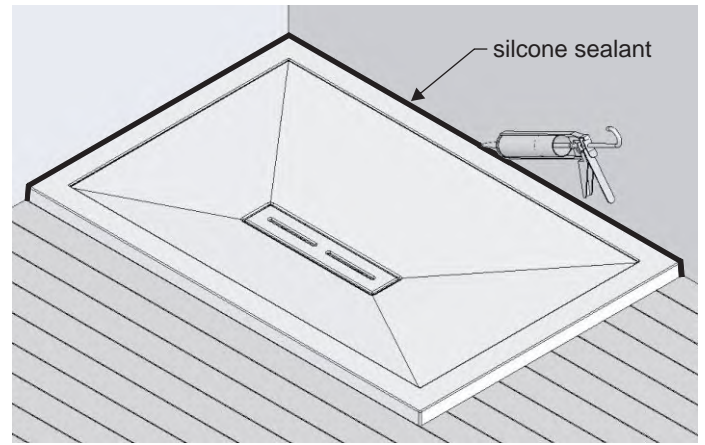
- Leave for 24 hours for sand/cement mix to set.

11 FIT WASTE COVER



- Fit waste cover into tray well, this is self-locating by means of concealed magnets.

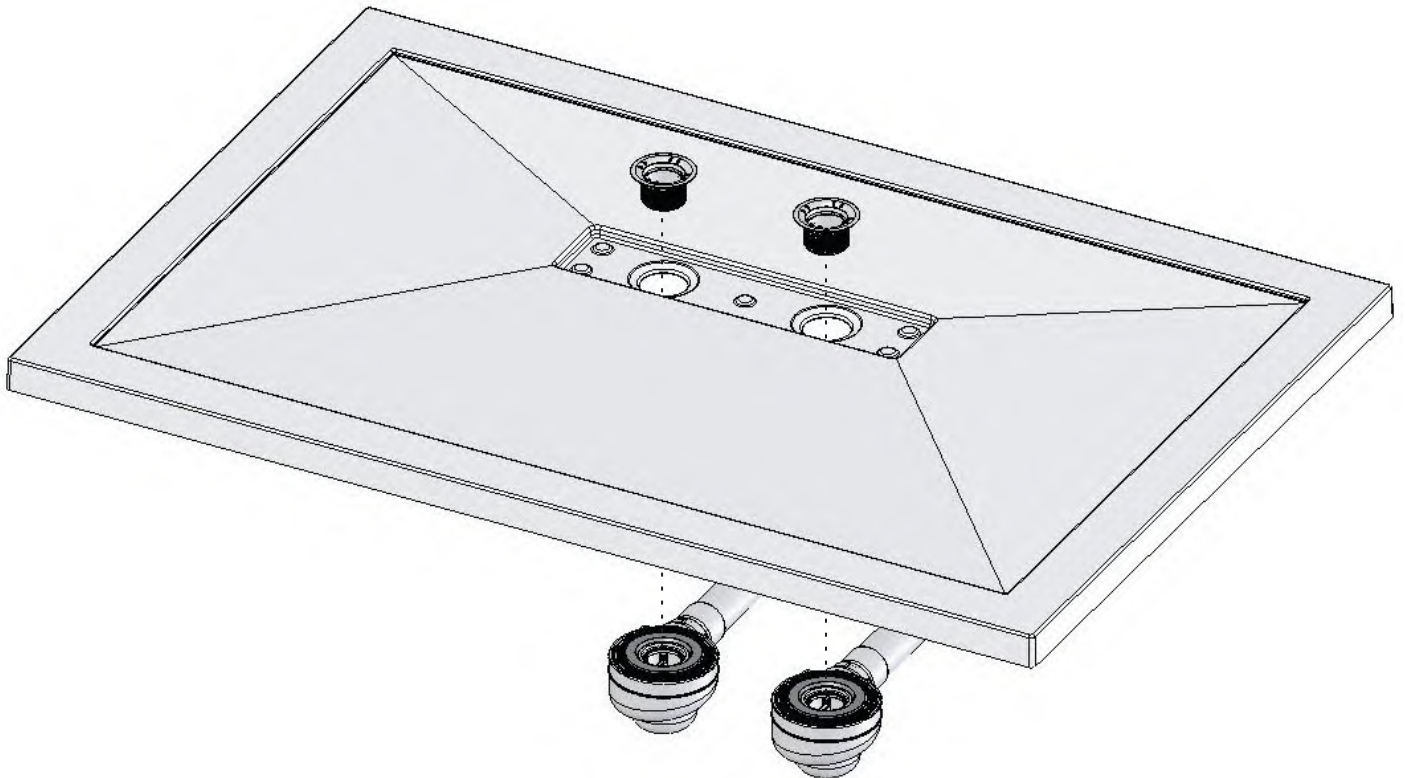
12 APPLY SILICONE SEALANT TO TRAY EDGES



- Before tiling/panelling walls, any gap between the tray and walls must be filled with silicone sealant flush to top of tray.

FITTING BOTH WASTE UNITS TO TRAY

Where joists run parallel with the length of the tray.



- Cut two separate holes in floorboards as described in stage 3
- Plumb to both wastes
- Blanking plugs supplied are not required when installing both waste units.

CLEANING and MAINTENANCE

The showertray should be cleaned after every use, including the waste well, using only soap and water with a soft cloth, then dry off.

Do not use abrasives, bleaches, hair dyes or other chemicals likely to damage or discolour the showertray.

use lift out tool supplied to remove waste cover for cleaning



Notes for users:

The materials we use are industry-standard materials for the manufacture of shower trays and baths.

The showertray will show an increase in the potential for slipping when wet. This is particularly the case when soap, shampoo etc., are used.

It is important that due care and attention is observed by the user in such conditions.

THESE INSTRUCTIONS ARE TO BE LEFT WITH THE CONSUMER