

## Warranty Information

Proof of purchase will be required.

The guarantee does not cover faults or damage caused by incorrect installation and/or maintenance, ordinary wear and tear, water composition, etc.

\*Please see [www.deva-uk.com](http://www.deva-uk.com) for full terms and conditions of warranty

## Cleaning

Your product has a high-quality finish and should be treated with care to preserve the visible surfaces. Never use abrasives or abrasive cleaning agents to clean this product. Clean regularly with contamination free warm water and a damp soft cloth. Do not use products containing chlorine bleach or hydrochloric acid as these can damage the product.

We have a policy of continuous improvement and reserve the right to change specifications without notice.

METHVEN UK LIMITED  
METHVEN EXPERIENCE CENTRE  
3/3A STONE CROSS COURT  
YEW TREE WAY  
GOLBORNE  
WARRINGTON  
WA3 3JD  
UNITED KINGDOM  
INST-VitalityLeverBathroom-V1  
27.07.2023

TEL: 0800 195 1602  
FAX: 0844 406 8690  
EMAIL: [sales@uk.methven.com](mailto:sales@uk.methven.com)  
[www.deva-uk.com](http://www.deva-uk.com)  
[www.methven.com](http://www.methven.com)

# Vitality Lever Bathroom Collection

## Installation Guide

---

### Technical Specification

#### Operating Pressure

Min: 0.1 Bar

Max: 5.0 Bar

#### Operating Temperature

Hot: 65°C

Cold: 5°C



Please read all of the instructions before installation.

### General

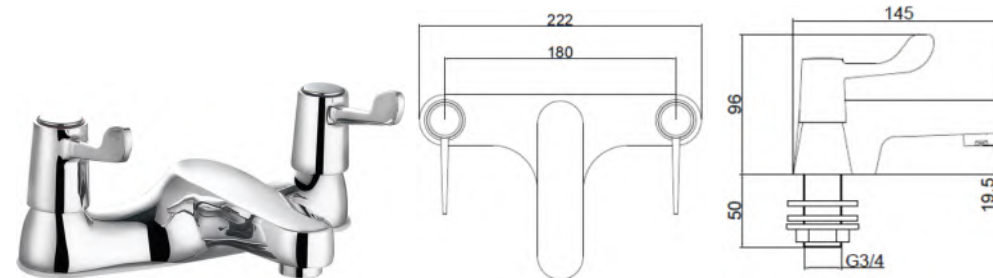
Methven recommends this product is installed by a competent person in compliance with all relevant regional regulations.

After installation all connections must be checked for leaks.

All outlets used primarily for personal hygiene shall deliver water at a safe temperature as per regional regulations.

It is the responsibility of the installer to ensure a waterproof seal is achieved.

### VL108, Bath Filler



### INDEX

### Product Description

### Page



VL101, Basin Taps

3



VL113, Basin Mixer & Waste

4



VL102, Bath Taps

5



VL106, Bath Shower Mixer

6



VL108, Bath Filler

7

### IMPORTANT

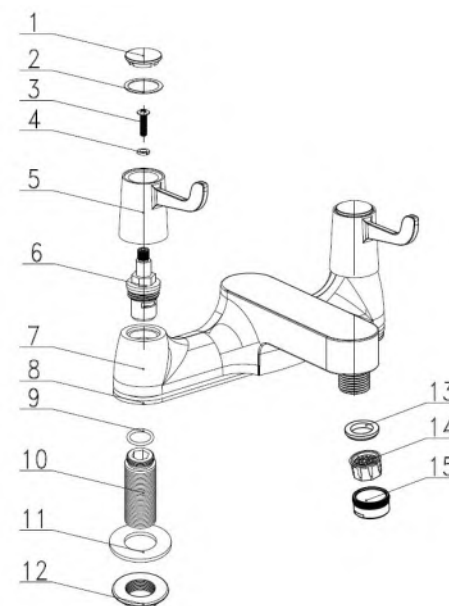
If you are unsure of any part of the instructions in this document then we recommend that you contact a reputable qualified trades person.

Before installation identify all components and inspect the product for any damage.

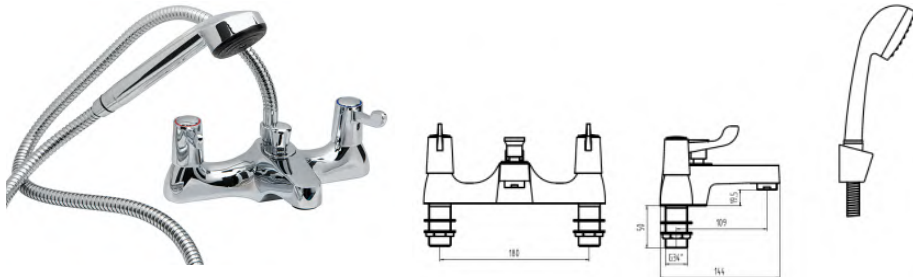
### Installation Instructions

Prior to installation please ensure all supply pipes have been thoroughly flushed through to remove any debris. Isolating valves must be fitted in a convenient position to allow future servicing of the fitting.

- Remove the metal backnuts (12) and washers (11) from the connection thread (10), leaving base washer (8) over the connection threads (10).
- Place the connection threads(10) through the holes in the bath and position.
- Place washer (11) onto connection thread (10) between bath unit and backnut, under the bath, and screw up until the tap is secured in position (do not overtighten). Please note additional sealant can be used if required.
- Connect the water supply pipes to the connection threads and tighten, an adequate sealing method should be used to create a watertight seal.
- Reinstate the water supply and test for leaks.



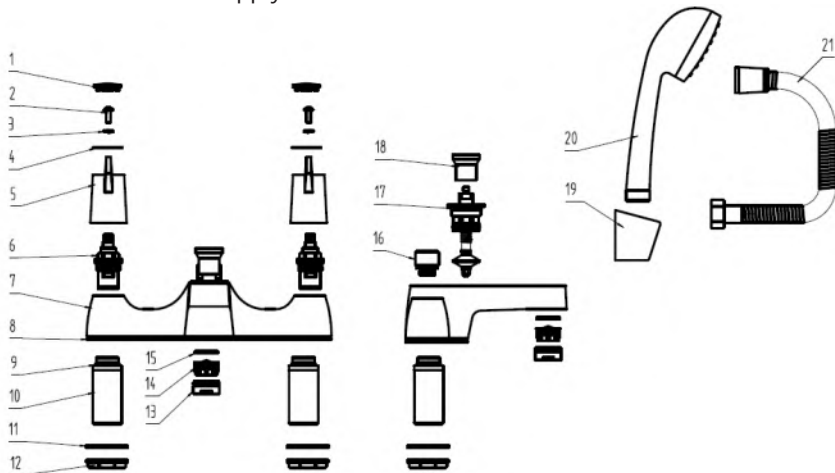
## VL106, Bath Shower Mixer



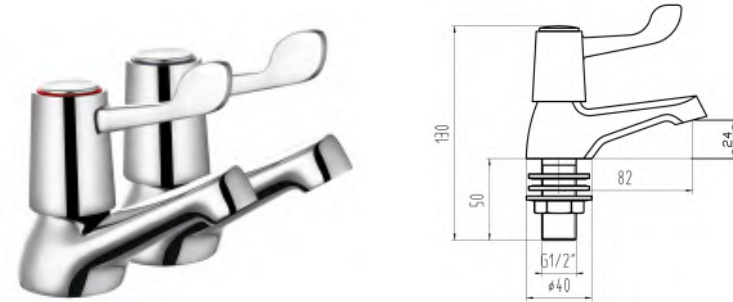
### Installation Instructions

Prior to installation please ensure all supply pipes have been thoroughly flushed through to remove any debris. Isolating valves must be fitted in a convenient position to allow future servicing of the fitting.

- Remove the metal backnuts (12) and washers (11) from the connection thread (10), leaving base washer (8) over the connection threads (10).
- Place the connection threads (10) through the holes in the bath and position.
- Place washer (11) onto connection thread (10) between bath unit and backnut (12), under the bath, and screw up until the tap is secured in position (do not overtighten). Please note additional sealant can be used if required.
- Connect the water supply pipes to the connection threads (10) and tighten, an adequate sealing method should be used to create a watertight seal.
- Identify a suitable location for the wall bracket (19), so that the hose (21) will not be under tension when fitted. Attach to the wall bracket (19) using either the plugs and screws supplied or other suitable fittings for the specific installation.
- Fit a hose washer into each end of the hose, connect one end to the handset (20) and the other end to the hose outlet (13) on the mixer.
- Reinstate the water supply and test for leaks.



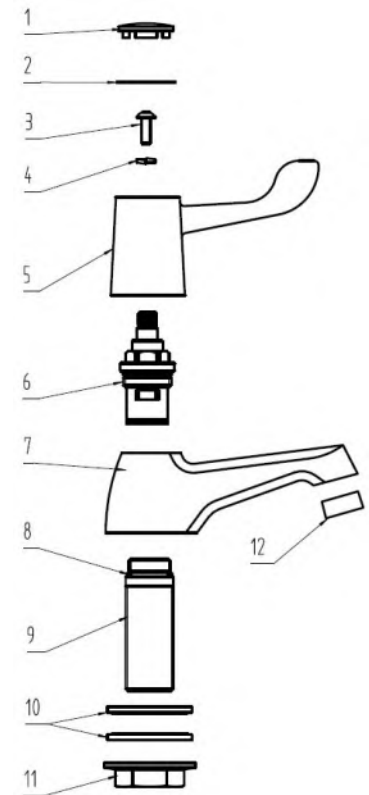
## VR101, Basin Taps



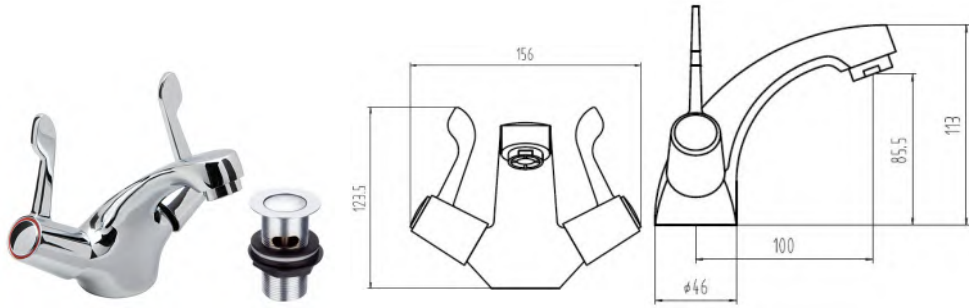
### Installation Instructions

Prior to installation please ensure all supply pipes have been thoroughly flushed through to remove any debris. Isolating valves must be fitted in a convenient position to allow future servicing of the fitting.

- Remove the metal backnut (11) and 1 washer (10) from the connection thread (9), leaving 1 washer (10) over the connection thread(9).
- Place the connection thread (9) through the hole in the basin and position, so as to direct flow correctly, ensuring the hot tap is positioned on the left hand side and the cold tap is positioned on the right hand side.
- Place washer (10) onto connection thread (9) between basin unit and backnut(11).
- Tighten the backnut (11) to secure the basin tap to basin, do not over tighten as this may damage the nut or the unit.
- Before fully tightening, ensure the tap is still positioned correctly.
- Once secured connect the supply pipe and tighten to create a good seal.
- Turn on water supply and check for leaks.



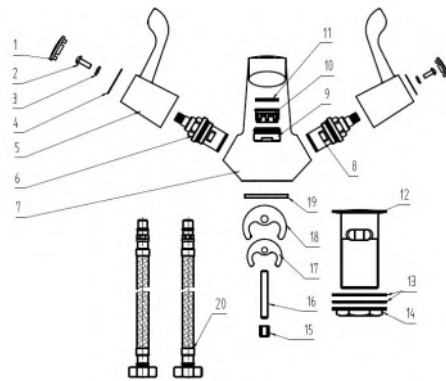
## VL113, Basin Mixer & Press Top Waste



### Installation Instructions

Prior to installation please ensure all supply pipes have been thoroughly flushed through to remove any debris. Isolating valves must be fitted in a convenient position to allow future servicing of the fitting.

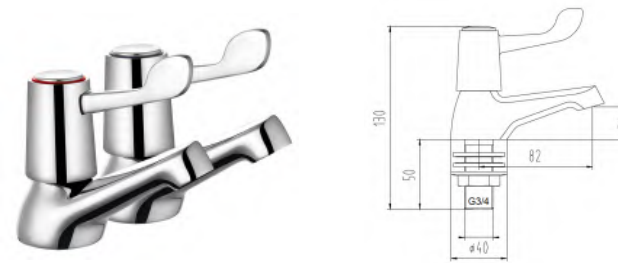
- Fit the rubber O-ring washer (19) into the recess in the bottom of the mixer tap.
- Insert the fixing bolt (16) into the bottom of the tap, with the slot facing out and using a flat bladed screwdriver tighten these up.
- Screw the flexible tails (20) into the bottom of the tap, by hand, until tight. Do not use PTFE tape, or similar, on the threads.
- Feed the tails and fixing bolt into the hole in the basin, ensuring that rubber washer is seated correctly and fully covering the hole.
- From the underside of the basin feed the rubber horseshoe shaped washer (18) over the fixing bolts followed by the metal one (17). Place the nuts over the fixing bolts and tighten until the tap is fixed on the basin. Do not Connect the hot and cold feeds to the water supply.
- Reinststate the water supply and test for leaks.



### Waste

- Remove the back-nut, white plastic washer and smaller of the two rubber washers. Push the larger of the rubber washers up to the waste flange and insert into the hole for the waste in the basin. Please note sealant can be used in addition to, or instead of, the washers depending on the requirements of the installation or preferences of the installer.
- On the underside of the basin, feed the smaller rubber washer and white plastic washer back onto the bottom of the waste tail and using the back-nut, tighten until the waste is secure. As above sealant can also be used.
- 4. • Attach the trap/waste pipework to the bottom of the waste body and test for leaks.

## VL102, Bath Taps



### Installation Instructions

Prior to installation please ensure all supply pipes have been thoroughly flushed through to remove any debris. Isolating valves must be fitted in a convenient position to allow future servicing of the fitting.

- Remove the metal backnut (11) and 1 washer (10) from the connection thread (9), leaving 1 washer (10) over the connection thread(9).
- Place the connection thread (9) through the hole in the bath and position, so as to direct flow correctly, ensuring the hot tap is positioned on the left hand side and the cold tap is positioned on the right hand side.
- Place washer (10) onto connection thread (9) between bath unit and backnut (11).
- Tighten the backnut (11) to secure the bath tap to bath, do not over tighten as this may damage the nut or the unit.
- Before fully tightening, ensure the tap is still positioned correctly.
- Once secured connect the supply pipe and tighten to create a good seal.
- Turn on water supply and check for leaks.

